

Features

- Metal construction.
- Brass valve bodies.
- For 8" (203 mm) or 16" (406 mm) centers.
- Stationary spout.
- Less drain.
- 4-1/4" (108 mm) spout reach.
- Quarter-turn washerless ceramic disc valves.
- Sculpted acrylic handles.
- 1.5 gal/min (5.7 l/min) maximum flow rate [max at 60 psi (4.14 bar)].



Codes/Standards

ASME A112.18.1/CSA B125.1

NSF 61

NSF 372

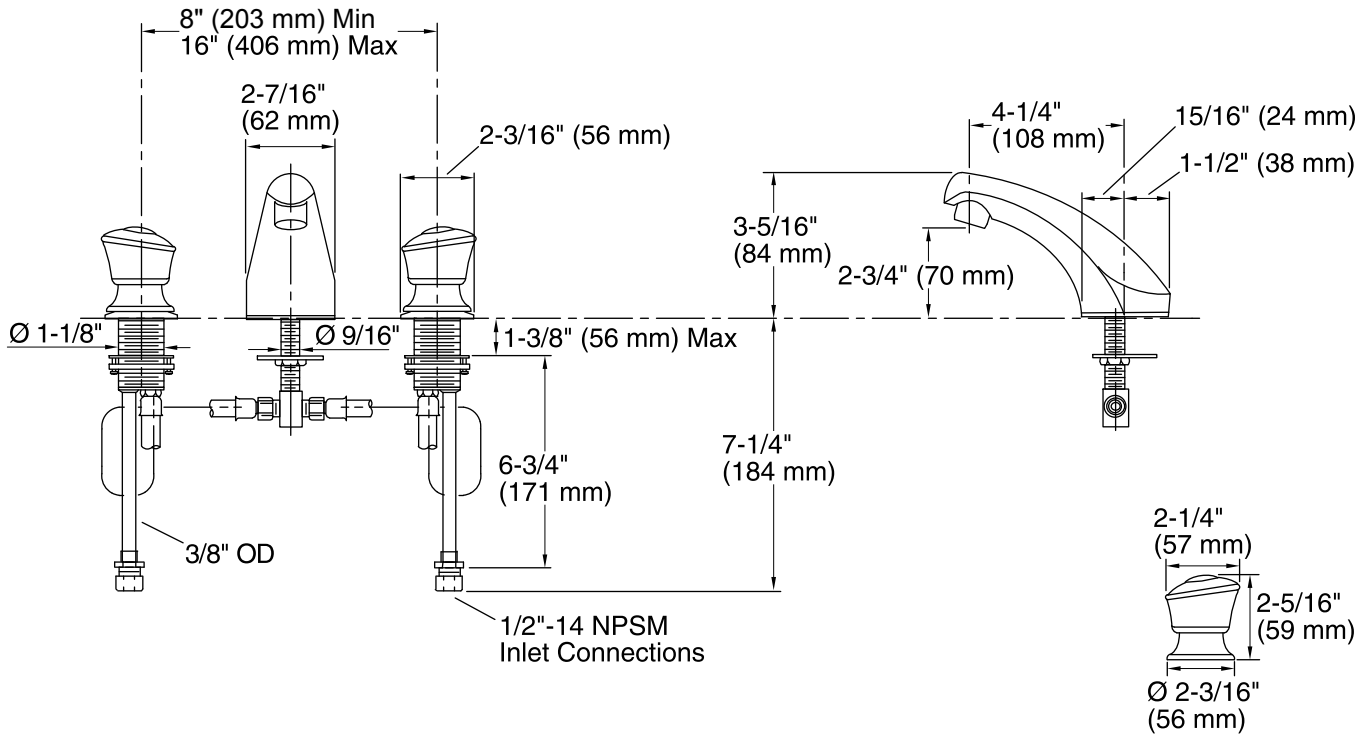
DOE - Energy Policy Act 1992

EPA WaterSense®

All applicable US Federal and State material regulations

KOHLER® Faucet Lifetime Limited Warranty

See website for detailed warranty information.



Technical Information

All product dimensions are nominal.

Spout reach: 4-1/4" (108 mm)

Faucet:

Flow rate: 1.5 gal/min (5.7 l/min)

Pressure: 60 psi (4.1 bar)

Notes

Install this product according to the installation guide.