

RIVER FALLS™

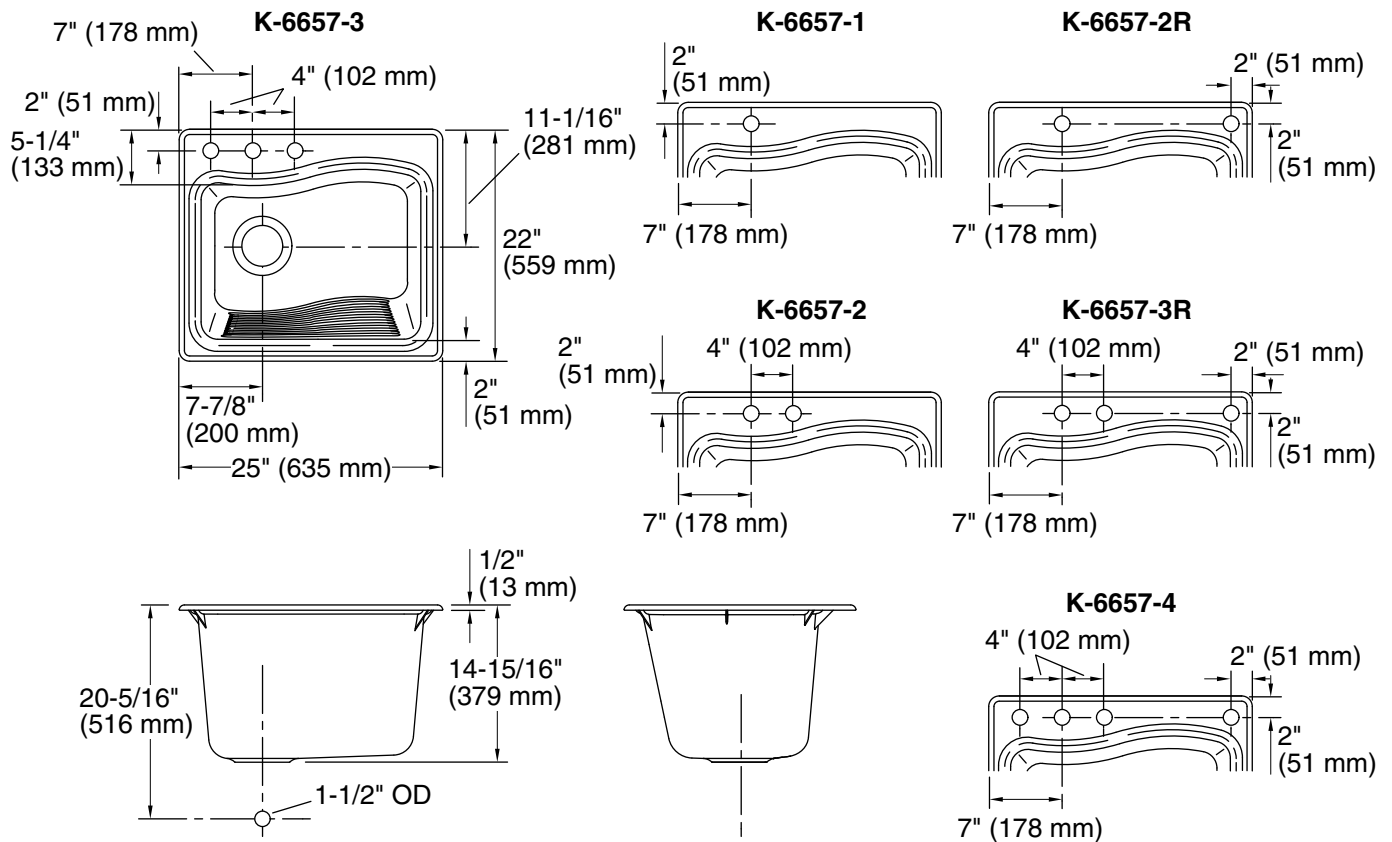
Technical Information

Fixture*:	
Bowl area	21-1/2" (546 mm) x 14-3/4" (375 mm)
Water depth	14-1/4" (362 mm)
Drain holes	Ø 3-5/8" (92 mm)
Faucet holes	Ø 1-3/8" (35 mm)
* Approximate measurements for comparison only.	

Included components:	
Cut-out template	1079984-7

Installation Notes

Install this product according to the installation guide.



Product Diagram