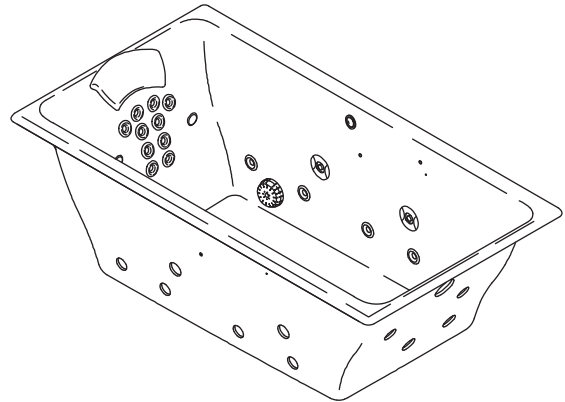


### Features

- Cast iron with Safeguard® finish
- Drilled for required grab bars
- Variable speed pump with 1.5 kW heater, back-lit user keypad and remote control
- 6 Flexjets™
- Two pulsating neckjets with pillow
- 8 effervescent ports
- 4 chromatherapy lights
- Ten color-matched sequencing Bodyssage backjets
- 66" (1676 mm) x 36" (914 mm) x 23" (584 mm)

### 5.5' EXPERIENCE BATH WHIRLPOOL WITH SPA/MASSAGE PACKAGE K-856-V



### Codes/Standards Applicable

Specified model meets or exceeds the following:

- ASME A112.19.1/CSA B45.2
- ASME A112.19.7
- UL 1795

### Colors/Finishes

- 0: White
- Other: Refer to Price Book for additional colors/finishes

### Accessories

- CP: Polished Chrome
- PB: Vibrant® Polished Brass
- Other: Refer to Price Book for additional colors/finishes
- NA: None applicable

### Specified Model

Model	Description	Colors/Finishes		
K-856-V	5.5 Experience bath whirlpool with Massage Package	<input type="checkbox"/> 0	<input type="checkbox"/> Other_____	
<b>Required Accessories</b>				
K-7148-AF	Adjustable pop-up bath drain	<input type="checkbox"/> CP	<input type="checkbox"/> PB	<input type="checkbox"/> Other_____
K-9653	Grab bars (pair)	<input type="checkbox"/> CP	<input type="checkbox"/> PB	<input type="checkbox"/> Other_____
<b>Optional Accessories</b>				
K-1601	Footstop	<input type="checkbox"/> 0	<input type="checkbox"/> Other_____	

### Product Specification

The bath whirlpool shall be 66" (1676 mm) in length, 36" (914 mm) in width, and 23" (584 mm) in height. Product shall be made of cast iron with Safeguard® finish. Product shall have 6 Flexjets™, 8 effervescence ports and 4 chromatherapy lights. Product shall have a variable speed pump with 1.5 kW heater, back-lit user keypad and remote control. Product shall have ten color-matched sequencing Bodyssage backjets and 2 pulsating neckjets with pillow. Product shall be drilled for K-9653 grip rails (required). Bath whirlpool shall be Kohler Model K-856-V-\_\_\_\_\_.

# TEA-FOR-TWO®

## Technical Information

Fixture*:	
Basin area:	
Bathing area, bottom	42" (1067 mm) x 25" (635 mm)
Bathing area, top	58" (1473 mm) x 29" (737 mm)
Weight	510 lbs (231 kg)
To overflow:	
Water depth	18" (457 mm)
Capacity	96 gal (363.4 L)
* Approximate measurements for comparison only.	

Pump:	V	Hz	A
	240	50/60	15

Drop-in cut-out	65-1/2" (1664 mm) x 35-1/2" (902 mm) Max
-----------------	--

## Required Electrical Service

Dedicated circuit required, protected with Class A Ground-Fault Circuit-Interrupter (GFCI) or Residual Current Device (RCD):

Pump/control	220-240 V, 20 A, 50/60 Hz
--------------	---------------------------

## Installation Notes

Install this product according to the installation guide.

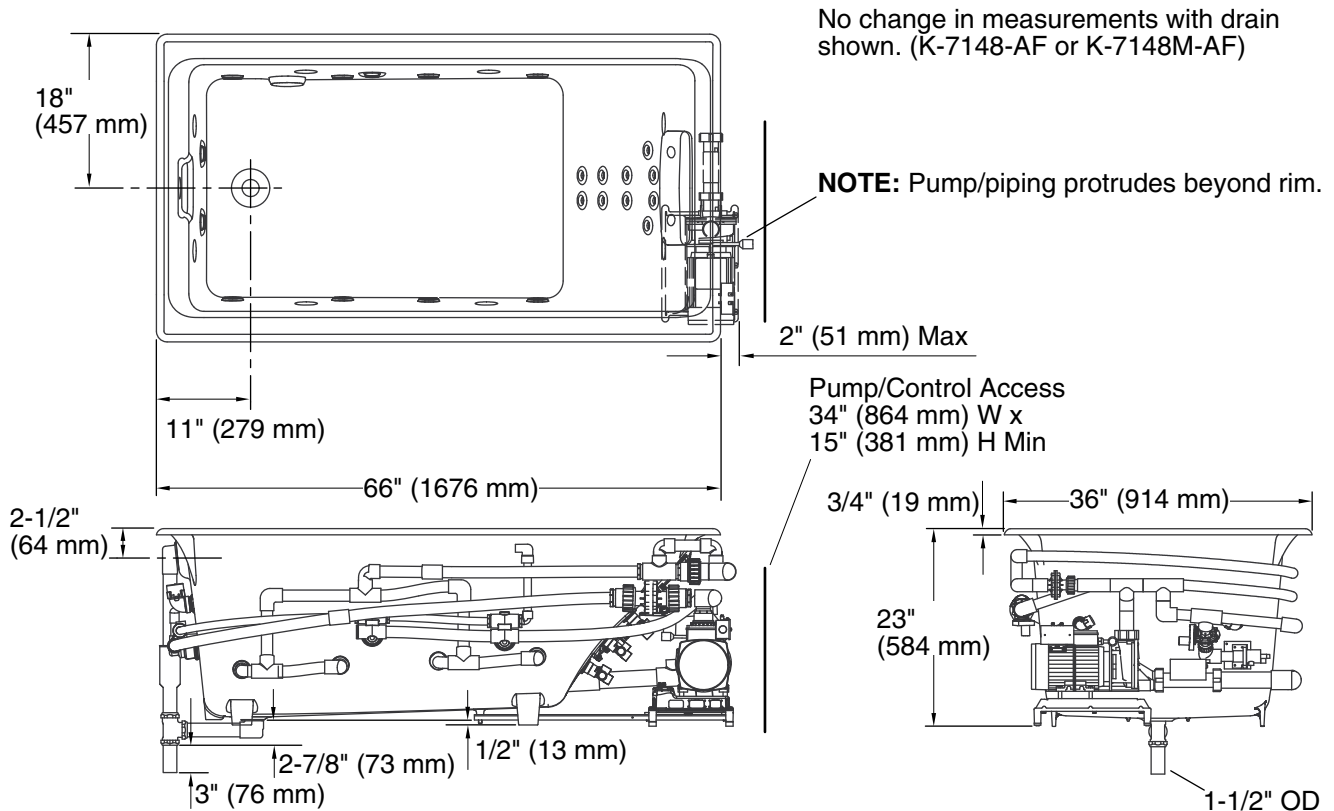
Floor support under whirlpool must provide for a minimum of 81 lbs/square foot (395 kg/square meter) loading.

Cast iron whirlpools are extremely heavy, making some drop-in installations difficult. Splitting the deck/surround is recommended if installing into a deck.

A pump/control access panel is required.

Pump/piping protrudes beyond the rim (see below).

Hot water supply should be 70% of the water capacity or greater. Installations will vary.



## Product Diagram