

Features

- Cast iron with Safeguard® finish
- ADA compliant when installed per Section 607 of the Act
- Less all trim
- Drilled for K-9621 grab bars [required for K-839]
- 66" (1676 mm) x 32" (813 mm) x 18-1/4" (464 mm)

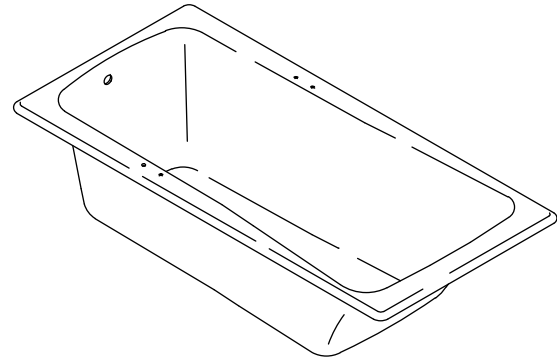
BATH
K-839, K-840

ADA

Codes/Standards Applicable

Specified model meets or exceeds the following:

- ADA
- ICC/ANSI A117.1
- ASME A112.19.1/CSA B45.2



Colors/Finishes

- 0: White
- Other: Refer to Price Book for additional colors/finishes

Accessories

- 0: White
- CP: Polished Chrome
- PB: Vibrant® Polished Brass
- NA: None applicable
- Other: Refer to Price Book for additional colors/finishes

Specified Model

Model	Description	Colors/Finishes	
K-839	Bath – with grab bar drillings	<input type="checkbox"/> 0	<input type="checkbox"/> Other_____
K-840	Bath – less grab bar drillings	<input type="checkbox"/> 0	<input type="checkbox"/> Other_____

Required Accessories

K-9621	Grab bars, pair [for K-839]	<input type="checkbox"/> CP	<input type="checkbox"/> PB	<input type="checkbox"/> Other_____
--------	-----------------------------	-----------------------------	-----------------------------	-------------------------------------

Recommended Accessories

K-7213	Clearflo bath cable drain with PVC tubing	<input type="checkbox"/> CP		<input type="checkbox"/> Other_____
K-7214	Clearflo bath cable drain without PVC tubing	<input type="checkbox"/> CP		<input type="checkbox"/> Other_____
K-7161-AF	Clearflo pop-up bath drain	<input type="checkbox"/> CP	<input type="checkbox"/> PB	<input type="checkbox"/> Other_____

Product Specification

The bath shall be made of cast iron with Safeguard finish. Product shall be 66" (1676 mm) in length, 32" (813 mm) in width, and 18-1/4" (464 mm) in height. Product shall be drilled for K-9621 grab bars [required for K-839], and be less all trim. Bath shall be Kohler Model K-____-____.

MAESTRO™

Optional Accessories

K-585	Undermount installation kit [for K-840 only]			<input type="checkbox"/> NA
K-1172	Adjustable feet			<input type="checkbox"/> NA
K-1491	Pillow	<input type="checkbox"/> 0	<input type="checkbox"/> Other_____	
K-1601	Footstop	<input type="checkbox"/> 0	<input type="checkbox"/> Other_____	

Technical Information

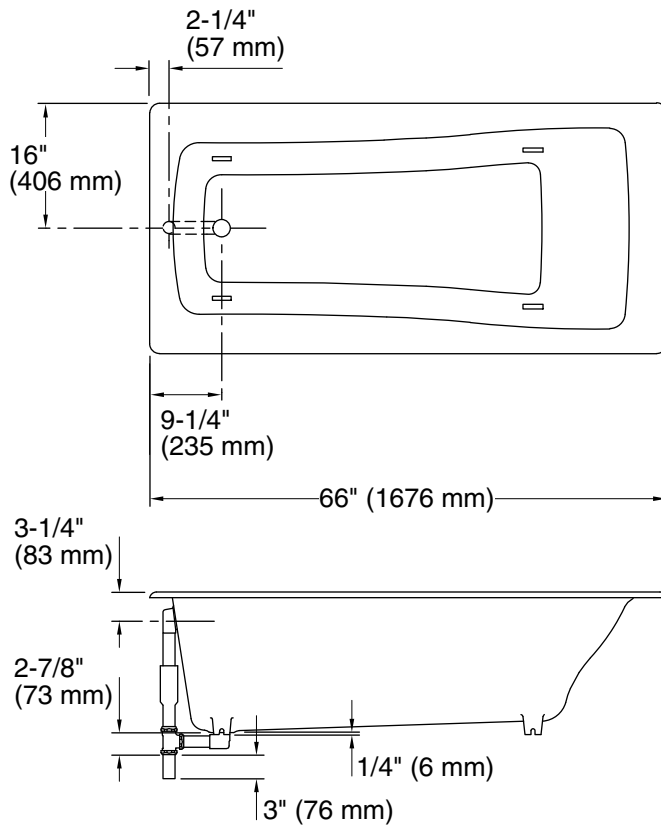
Fixture*:	
Bathing well:	
Basin area, bottom	47" (1194 mm) x 21" (533 mm)
Basin area, top	57" (1448 mm) x 25" (635 mm)
Weight	350 lbs (158.8 kg)
To overflow:	
Water depth	13" (330 mm)
Capacity	55 gal (208.2 L)
* Approximate measurements for comparison only.	
Drop-in cut-out	64-1/2" (1638 mm) x 30-1/2" (775 mm)

Installation Notes

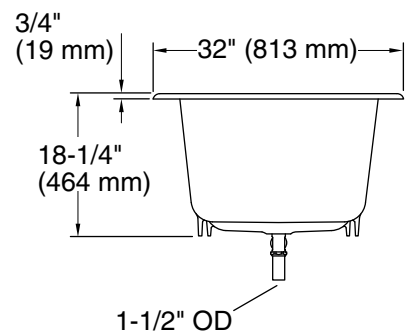
Install this product according to the installation guide.

Floor support under the bath must provide for a minimum of 57 lbs/square foot (278 kg/square meter) loading.

Will comply with **ADA** when installed per Section 607 Bathtubs of the Act.



No change in measurements if connected with drain illustrated. (K-7213)



Product Diagram