

### Features

- Cast iron with Safeguard® finish
- ADA compliant when installed per Section 607 of the Act
- Left or right drain
- 60" (1524 mm) x 32" (813 mm) x 16-1/4" (413 mm)

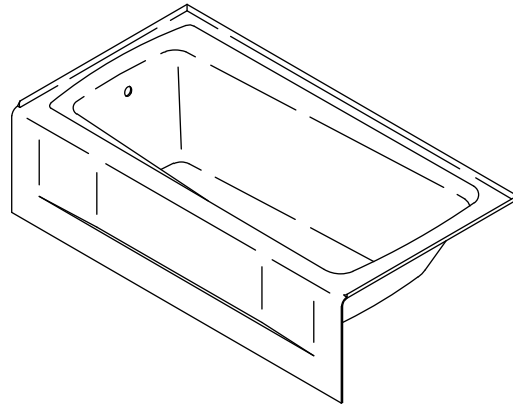
**BATH**  
**K-505**  
**ALSO K-506**

**ADA**

### Codes/Standards Applicable

Specified model meets or exceeds the following:

- ADA
- ASME A112.19.1/CSA B45.2
- ICC/ANSI A117.1



### Colors/Finishes

- 0: White
- Other: Refer to Price Book for additional colors/finishes

### Accessories

- 0: White
- CP: Polished Chrome
- PB: Vibrant® Polished Brass
- Other: Refer to Price Book for additional colors/finishes

### Specified Model

Model	Description	Colors/Finishes	
K-505	Bath – left drain	<input type="checkbox"/> 0	<input type="checkbox"/> Other _____
K-506	Bath – right drain	<input type="checkbox"/> 0	<input type="checkbox"/> Other _____

Recommended Accessories				
K-7160-TF	Adjustable pop-up drain	<input type="checkbox"/> CP	<input type="checkbox"/> PB	<input type="checkbox"/> Other _____
K-7213	Clearflo bath cable drain with PVC tubing	<input type="checkbox"/> CP		<input type="checkbox"/> Other _____
K-7214	Clearflo bath cable drain without PVC tubing	<input type="checkbox"/> CP		<input type="checkbox"/> Other _____

### Product Specification

The bath shall be made of cast iron with Safeguard® finish. Bath shall be 60" (1524 mm) in length, 32" (813 mm) in width, and 16-1/4" (413 mm) in height. Bath shall have a left or right drain. Bath shall be ADA compliant when installed with a seat at head end. Bath shall be Kohler Model K-\_\_\_\_\_-\_\_\_\_\_.

# MENDOTA™

## Optional Accessories

K-1491	Pillow	<input type="checkbox"/> 0	<input type="checkbox"/> Other_____
K-1601	Footstop	<input type="checkbox"/> 0	<input type="checkbox"/> Other_____

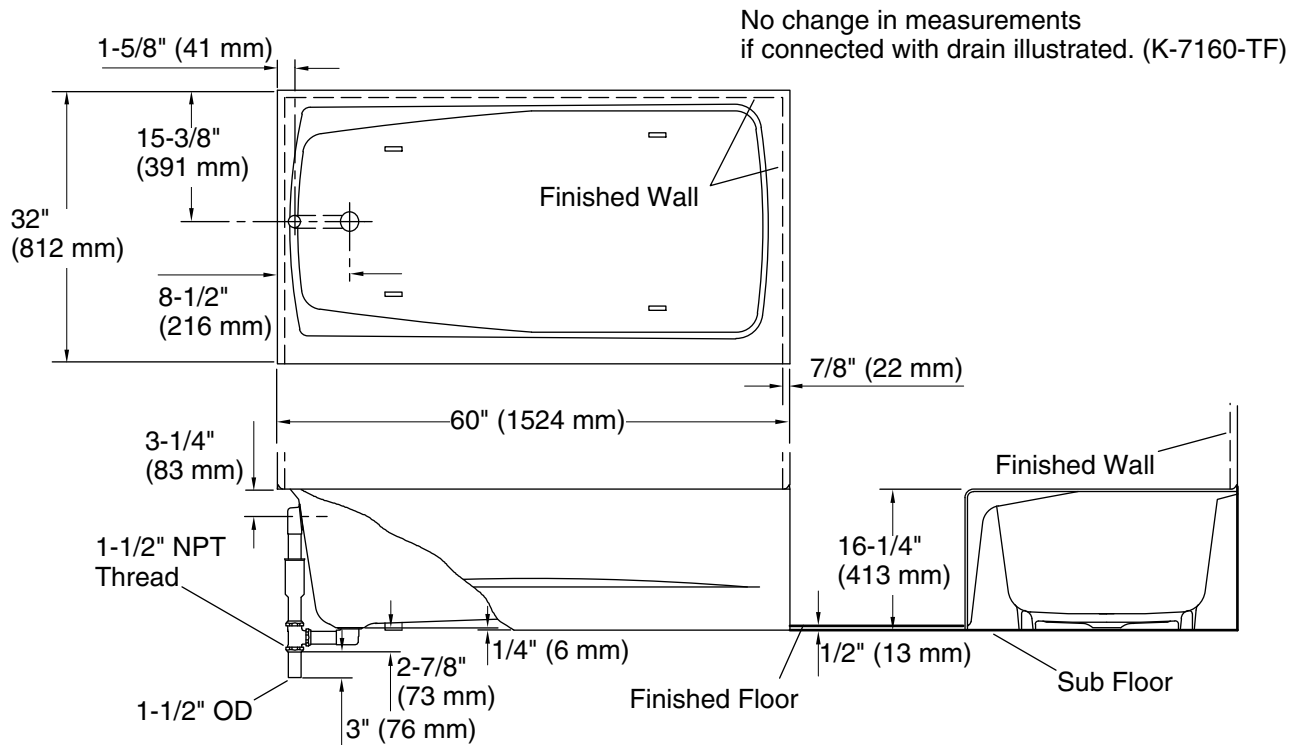
## Technical Information

Fixture*:	
Basin area:	
Bathing well	46" (1168 mm) x 20" (508 mm)
Top area	54" (1372 mm) x 24" (610 mm)
Weight	351 lbs (159.2 kg)
To overflow:	
Water depth	10-7/8" (276 mm)
Capacity	45 gal (170.3 L)
* Approximate measurements for comparison only.	

## Installation Notes

Install this product according to the installation guide.

Floor support under bath must provide for a minimum of 56 lbs/square foot (275 kg/square meter) loading.



## Product Diagram