

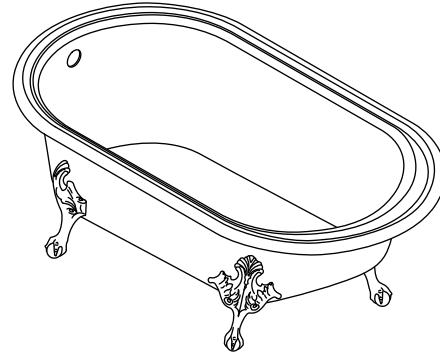
Features

- Cast iron with Safeguard® finish
- 66" (1676 mm) x 36" (914 mm) x 24-1/2" (622 mm)
[height with feet]

Codes/Standards Applicable

Specified model meets or exceeds the following:

- ASME A112.19.1/CSA B45.2



Colors/Finishes

- 0: White
- 47: Almond
- 96: Biscuit
- Other: Refer to Price Book for additional colors/finishes

Accessories

- CP: Polished Chrome
- PB: Vibrant® Polished Brass
- Other: Refer to Price Book for additional colors/finishes

Specified Model

Model	Description	Colors/Finishes		
K-710-A	Bath – Almond exterior		<input type="checkbox"/> 47	<input type="checkbox"/> Other _____
K-710-B	Bath – Biscuit exterior		<input type="checkbox"/> 96	<input type="checkbox"/> Other _____
K-710-S	Bath – Sandbar exterior	<input type="checkbox"/> 0		<input type="checkbox"/> Other _____
K-710-W	Bath – White exterior	<input type="checkbox"/> 0		<input type="checkbox"/> Other _____

Required Accessories

K-1103	Claw feet	<input type="checkbox"/> 0	<input type="checkbox"/> Other _____
--------	-----------	----------------------------	--------------------------------------

Recommended Accessories

K-7104	Iron Works bath drain	<input type="checkbox"/> CP	<input type="checkbox"/> PB	<input type="checkbox"/> Other _____
K-7178	Clearflo decorative bath drain	<input type="checkbox"/> CP	<input type="checkbox"/> PB	<input type="checkbox"/> Other _____

Product Specification

The bath shall be made of cast iron with Safeguard finish. Product shall be 66" (1676 mm) in length, 36" (914 mm) in width, and 24-1/2" (622 mm) in height [height with feet]. Bath shall be Kohler Model K-710-____-____.

IRON WORKS® HISTORIC™

Optional Accessories

K-1491	Pillow	<input type="checkbox"/> 0	<input type="checkbox"/> Other_____
K-1601	Footstop	<input type="checkbox"/> 0	<input type="checkbox"/> Other_____

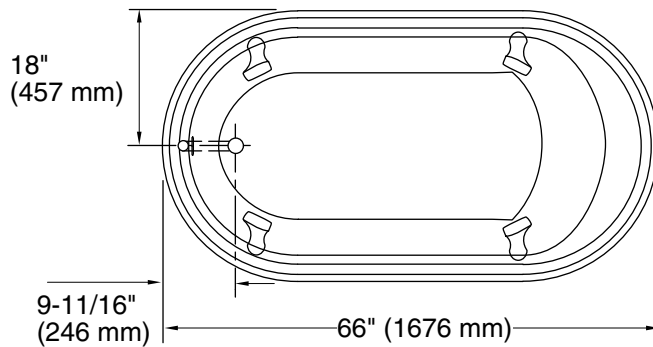
Technical Information

Fixture*:	
Bathing well:	
Basin area, bottom	47-1/2" (1207 mm) x 25" (635 mm)
Basin area, top	55" (1397 mm) x 29" (737 mm)
Weight	375 lbs (170.1 kg)
To overflow:	
Water depth	12-5/8" (321 mm)
Capacity	64 gal (242.3 L)
* Approximate measurements for comparison only.	

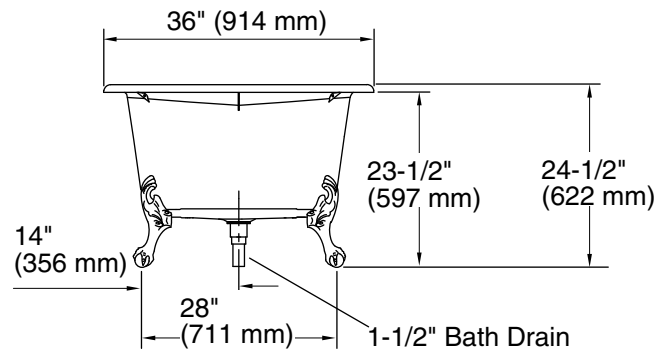
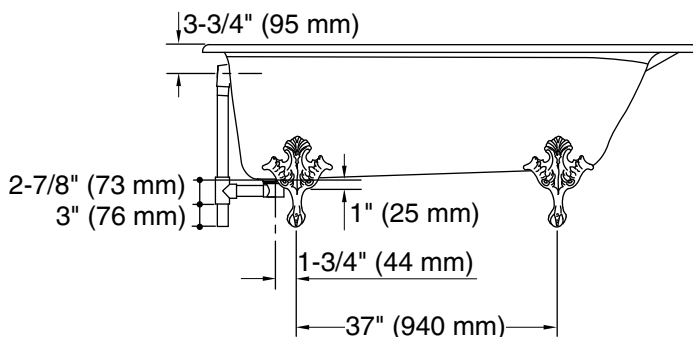
Installation Notes

Install this product according to the installation guide.

Floor support under the bath must provide for a minimum of 57 lbs/square foot (276 kg/square meter) loading.



No change in measurements if connected with drain illustrated. (K-7178)



Product Diagram