

Features

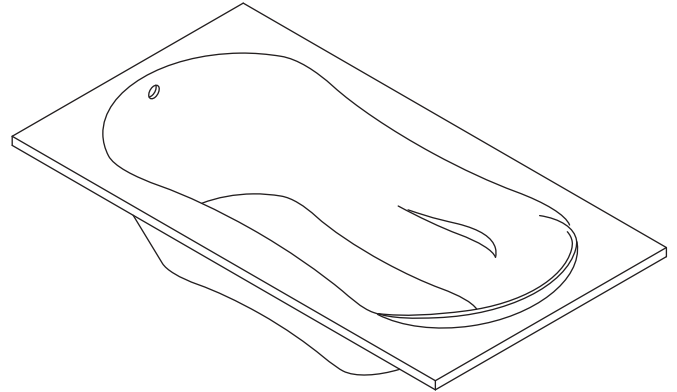
- *ExoCrylic™*
- *Drop-in or three-wall alcove*
- *Molded lumbar support and armrests for comfort*
- *Optional K-1491 removable bath pillow*
- *Optional K-1283 removable apron*
- *Optional K-1601 removable footstop*
- *72" (1829 mm) x 36" (914 mm) x 20-1/8" (511 mm)*

Codes/Standards Applicable

Specified model meets or exceeds the following:

- *CSA B45.5/IAPMO Z124*

BATH
K-1159
ALSO K-1159-L, K-1159-R



Colors/Finishes

- 0: White
- Other: Refer to Price Book for additional colors/finishes

Accessories

- 0: White
- CP: Polished Chrome
- PB: Vibrant® Polished Brass
- Other: Refer to Price Book for additional colors/finishes

Specified Model

Model	Description	Colors/Finishes	
K-1159	Bath, drop-in (shown)	<input type="checkbox"/> 0	<input type="checkbox"/> Other _____
K-1159-L	Bath, tile flange, left drain	<input type="checkbox"/> 0	<input type="checkbox"/> Other _____
K-1159-R	Bath, tile flange, right drain	<input type="checkbox"/> 0	<input type="checkbox"/> Other _____

Recommended Accessories

K-11677	Swiftflo™ adjustable trip lever bath drain	<input type="checkbox"/> CP	<input type="checkbox"/> PB
---------	--	-----------------------------	-----------------------------

Optional Accessories

K-1283	Removable apron	<input type="checkbox"/> 0	<input type="checkbox"/> Other _____
K-1491	Removable bath pillow	<input type="checkbox"/> 0	<input type="checkbox"/> Other _____
K-1601	Removable footstop	<input type="checkbox"/> 0	<input type="checkbox"/> Other _____

Product Specification

The ExoCrylic bath shall be 72" (1829 mm) in length, 36" (914 mm) in width, and 20-1/8" (511 mm) in height. Bath shall be for drop-in [K-1159] or three-wall alcove installation [K-1159-L/-R]. Bath shall feature molded lumbar support and armrests for comfort. Bath shall feature optional K-1283 removable apron, K-1491 removable bath pillow, and K-1601 removable footstop. Bath shall be Kohler Model K-1159-____ or K-1159-____-_____.

PROFLEX® 7236

Technical Information

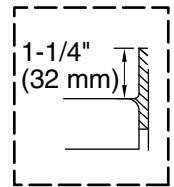
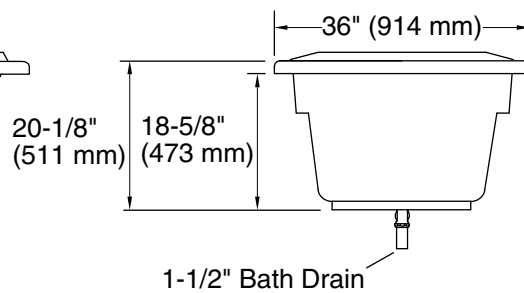
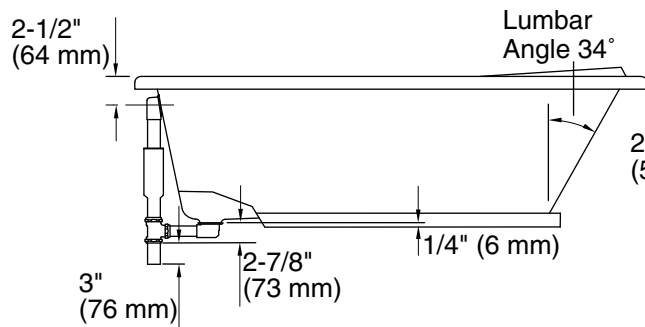
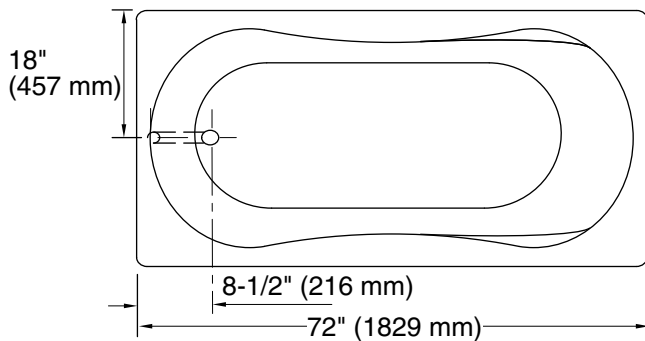
Fixture*:	
Bathing well:	
Basin area, bottom	55" (1397 mm) x 21" (533 mm)
Basin area, top	65" (1651 mm) x 26" (660 mm)
To overflow:	
Water depth	15" (381 mm)
Capacity	72 gal (272.5 L)
Weight	52 lbs (23.6 kg)
Drop-in cutout	70-1/2" (1791 mm) x 34-1/2" (876 mm)
* Approximate measurements for comparison only.	

Installation Notes

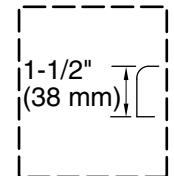
Install this product according to the installation guide.

Floor support under bath must provide for a minimum of 38 lbs/square foot (184 kg/square meter) loading.

The apron must be installed before the finished floor and wall materials are installed.



Tile Flange Detail



Drop-In Rim Detail

No change in measurements if connected with drain illustrated. (K-11677)

Product Diagram