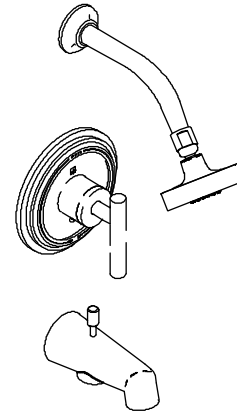


Features

- Brass construction
- Intended for use with Rite-Temp® or HiFlow Rite-Temp® valves
- 4-7/8" (124 mm) diverter spout with NPT connection
- Variety of handle style options

**BATH & SHOWER TRIM SET
K-T8224
ALSO K-T8226, K-T8228**



Codes/Standards Applicable

Specified model meets or exceeds the following:

- ASME A112.18.1/CSA B125.1
- ASSE 1016


Colors/Finishes

- CP: Polished Chrome
- PB: Vibrant® Polished Brass
- Other: Refer to Price Book for additional colors/finishes

Accessories

- CP: Polished Chrome
- Other: Refer to Price Book for additional colors/finishes
- NA: None applicable

Specified Model

Model	Description			
K-T8224-4	Bath and shower trim with lever handle	<input type="checkbox"/> CP	<input type="checkbox"/> PB	<input type="checkbox"/> Other_____
K-T8226-4	Shower only trim with lever handle	<input type="checkbox"/> CP	<input type="checkbox"/> PB	<input type="checkbox"/> Other_____
K-T8228-4	Valve only trim with lever handle	<input type="checkbox"/> CP	<input type="checkbox"/> PB	<input type="checkbox"/> Other_____

Product Specification

The Rite-Temp® pressure-balancing single-handle bath and shower trim set shall be made of brass construction. Bath and shower trim shall include showerhead with arm and flange, 4-7/8" (124 mm) diverter spout with NPT connection, and faceplate with handle. Shower only trim shall include showerhead with arm and flange, and faceplate with handle. Valve only trim shall include faceplate with handle. Faucet trim shall be K-T____-____-____ and Rite-Temp® valve shall be K-304-____-NA OR K-2971-KS-NA HiFlow Rite-Temp® valve.

TABORET®

Required Accessories

K-304-*	Rite-Temp® valve OR	<input type="checkbox"/> NA
K-2971-KS	HiFlow Rite-Temp valve with stops	<input type="checkbox"/> NA

* For a complete listing of all the Rite-Temp valves, refer to the K-304-* Specification Sheet or Roughing-In sheet.

Optional Accessories

58226	Deep roughing-in kit for Rite-Temp® valve (lever and T-handle)	<input type="checkbox"/> CP	<input type="checkbox"/> Other
88526	HiFlow Rite Temp® thin wall installation kit	<input type="checkbox"/> CP	<input type="checkbox"/> Other

Installation Notes

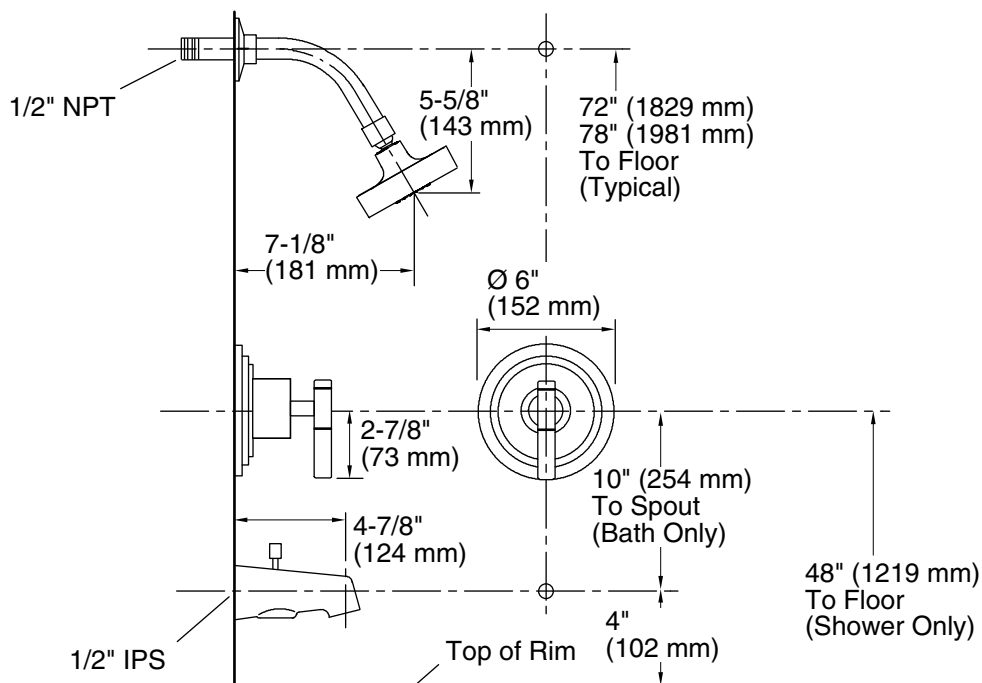
Install this product according to the installation guide.

NOTICE: Risk of product damage. Long screws, for installing trim, can damage the K-2971-KS valve. Consult the trim installation guide to verify if the thin wall installation kit (88526) is needed.

Avoid cross-flow conditions. Do not install shut-off device on either valve outlet.

Cap shower outlet if deck-mounted spout, diverter, or handshower is connected to the spout outlet.

Install straight pipe or tube drop of 7" (178 mm) to 18" (457 mm) with single elbow between valve and wall-mount spout.



Product Diagram