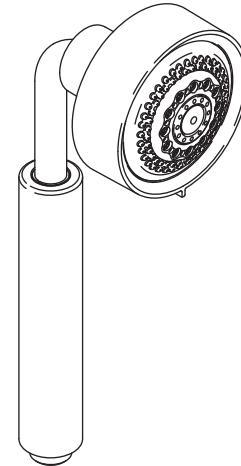


**Features**

- MasterClean™ sprayface resists hard water buildup and is easy to clean
- Ergonomic sprayhead pivots for targeted hydromassage or for rinsing the shower enclosure
- Complements Stillness® faucet line
- 2.5 gallon (9.5 L) per minute flow rate
- Full-coverage, therapeutic massage, and soft-aerated
- ADA non-positive shut-off

**MULTI-FUNCTION HANDSHOWER  
K-973**

**ADA** **CSA B651** **OBC**



**Codes/Standards Applicable**

Specified model meets or exceeds the following:

- ADA
- CSA B651
- OBC
- ASME A112.18.1/CSA B125.1

**Colors/Finishes**

- CP: Polished Chrome
- Other: Refer to Price Book for additional colors/finishes

**Accessories**

- CP: Polished Chrome

**Specified Model**

Model	Description	Colors/Finishes	
K-973	Multi-function handshower – 2.5 gallon (9.5 L) per minute flow rate	<input type="checkbox"/> CP	<input type="checkbox"/> Other ____
<b>Required Accessories</b>			
K-8593	72" (1829 mm) metal shower hose <b>OR</b>		<input type="checkbox"/> CP
K-9514	60" (1524 mm) metal shower hose		<input type="checkbox"/> CP

**Product Specification**

Multi-function handshower shall feature a Masterclean sprayface which resists hard water buildup and is easy to clean. Handshower shall feature an ergonomic sprayhead which pivots for targeted hydromassage or for rinsing the shower enclosure. Handshower shall be available with a 2.5 gallon (9.5 L) per minute flow rate. Handshower shall feature full-coverage, therapeutic massage, soft-aerated, and ADA non-positive shut-off. Handshower shall complement the Stillness faucet line. Multi-function handshower shall be Kohler Model K-973-\_\_\_\_\_.

# STILLNESS®

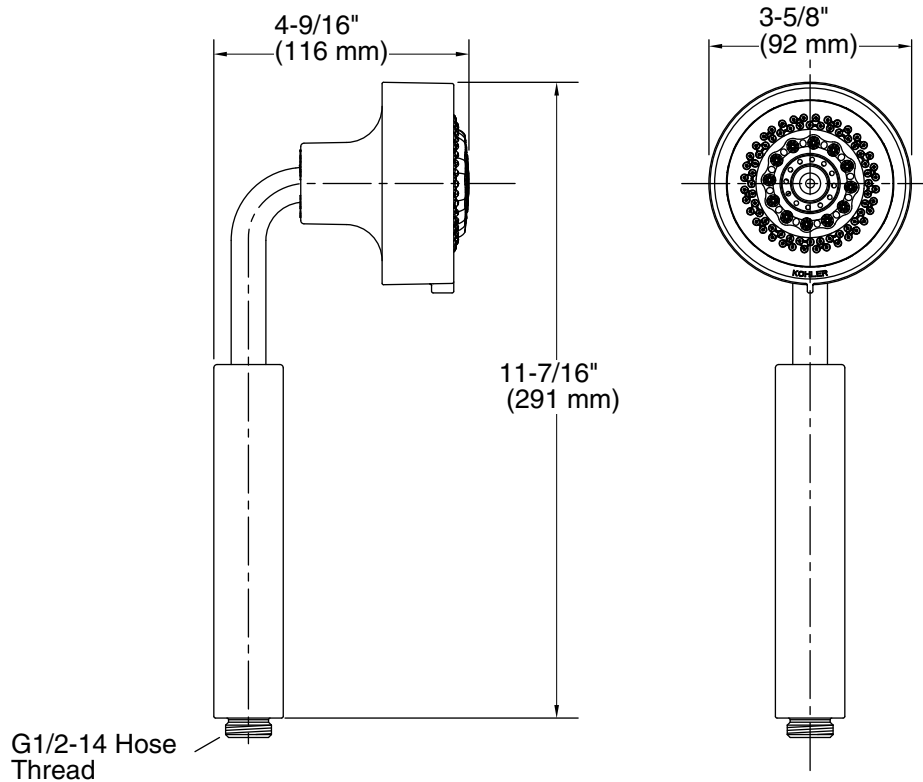
## Installation Notes

Install this product according to the installation guide.

Plumbing codes require an atmospheric vacuum breaker (such as Kohler Model K-9660) be installed in-line with handshowers. Please consult with local plumbing officials.

**ADA, CSA B651, OBC** compliant when installed to the specific requirements of these regulations.

Reduced flow spray option provided non-positive shut-off required by 2010 ADA standard for accessible design, section 607.6 Spray Unit and Water (Baths) and section 608.6 Spray Unit and Water (Showers).



## Product Diagram