

**Features**

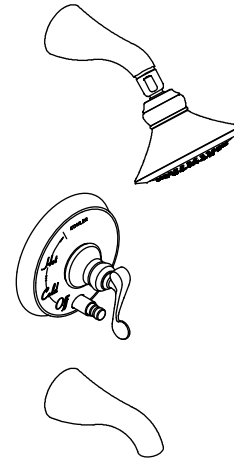
- Brass construction
- Push-button diverter

**BATH & SHOWER TRIM SET  
K-T16115  
ALSO K-T16116, K-T98760**

**Codes/Standards Applicable**

Specified model meets or exceeds the following:



- ASME A112.18.1/CSA B125.1
- ASSE 1016



**Colors/Finishes**

- CP: Polished Chrome
- PB: Vibrant® Polished Brass
- Other: Refer to Price Book for additional colors/finishes
- NA: None applicable

**Specified Model**

Model	Description						
		<input type="checkbox"/> CP	<input type="checkbox"/> PB	<input type="checkbox"/> Other_____	<input type="checkbox"/> CP	<input type="checkbox"/> PB	<input type="checkbox"/> Other_____
K-T16115-4	Bath & shower trim set, with diverter – scroll handle (shown)	<input type="checkbox"/> CP	<input type="checkbox"/> PB	<input type="checkbox"/> Other_____			
K-T16115-4A	Bath & shower trim set, with diverter – traditional handle				<input type="checkbox"/> CP	<input type="checkbox"/> PB	<input type="checkbox"/> Other_____
K-T16116-4	Shower only trim set, less diverter – scroll handle	<input type="checkbox"/> CP	<input type="checkbox"/> PB	<input type="checkbox"/> Other_____			
K-T16116-4A	Shower only trim set, less diverter – traditional handle				<input type="checkbox"/> CP	<input type="checkbox"/> PB	<input type="checkbox"/> Other_____
K-T98760-4	Valve only trim, with diverter– scroll handle	<input type="checkbox"/> CP	<input type="checkbox"/> PB	<input type="checkbox"/> Other_____			
K-T98760-4A	Valve only trim, with diverter – traditional handle				<input type="checkbox"/> CP	<input type="checkbox"/> PB	<input type="checkbox"/> Other_____

**Product Specification**

The bath & shower trim set shall be made of brass construction. Faucet trim shall include showerhead with arm and flange, 5-3/4" (146 mm) non-diverter spout with NPT connection, and faceplate with handle and push-button diverter. Shower only trim shall include showerhead with arm and flange, and faceplate with handle. Valve only trim shall include faceplate with handle and push-button diverter. Faucet trim shall be K-T\_\_\_\_\_-\_\_\_\_\_-\_\_\_\_\_ and Rite-Temp® valve shall be K-\_\_\_\_\_-\_\_\_\_\_-NA.

# REVIVAL®

## Required Accessories

K-304-*	Rite-Temp® valve <b>OR</b>	<input type="checkbox"/> NA
K-2971-KS	HiFlow Rite-Temp valve with stops <b>OR</b>	<input type="checkbox"/> NA
K-11748-K	Rite-Temp valve with diverter <b>OR</b>	<input type="checkbox"/> NA
K-11748-KS	Rite-Temp valve with diverter and stops	<input type="checkbox"/> NA

\* For a complete listing of all the Rite-Temp valves, refer to the K-304-\* Specification Sheet or Roughing-In Sheet.

## Optional Accessories

88526	HiFlow Rite-Temp® thin wall installation kit	<input type="checkbox"/> CP	<input type="checkbox"/> Other_____
1030932	Deep roughing-in kit for Rite-Temp® valve (all handles) without diverter	<input type="checkbox"/> NA	
1104834	Deep roughing-in kit for Rite-Temp valve (all handles) with diverter	<input type="checkbox"/> CP	<input type="checkbox"/> Other_____

## Installation Notes

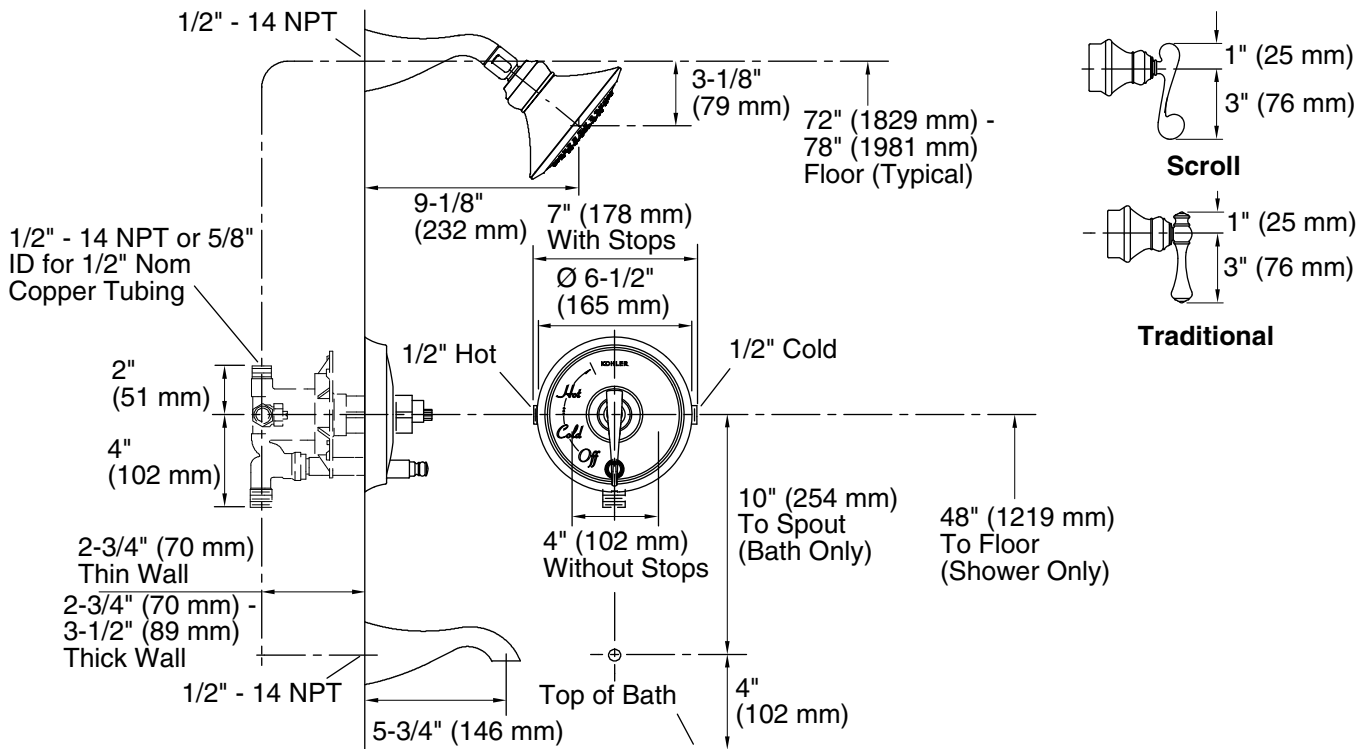
Install this product according to the installation guide.

**NOTICE: Risk of product damage.** Long screws, for installing trim, can damage the K-2971-KS valve. Consult the trim installation guide to verify if the thin wall installation kit (88526) is needed.

Avoid cross-flow conditions. Do not install shut-off device on either valve outlet.

Cap shower outlet if deck-mount spout, diverter, or handshower is connected to spout outlet.

Install straight pipe or tube drop of 7" (178 mm) to 18" (457 mm) with single elbow between valve and wall-mount spout.



## Product Diagram