

BATHROOM SINK BASE FAUCET K-7313-K

ADA

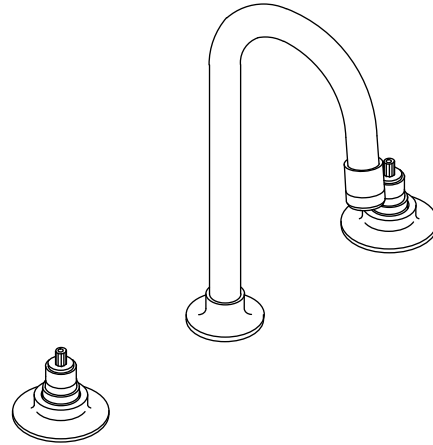
Features

- Brass construction
- Brass valve bodies
- Quarter-turn washerless ceramic disc valves
- 2.0 gallons (7.6 L) per minute flow rate [max at 60 psi (4.14 bar)]
- Available with standard or vandal-resistant Water-Guard® aerator
- Variety of handle style options
- 12" (305 mm) rigid connections
- 5-1/4" (133 mm) gooseneck spout

Codes/Standards Applicable

Specified model meets or exceeds the following:

- ASME A112.18.1/CSA B125.1
- NSF 61
- Energy Policy Act of 2005
- ADA
- ICC/ANSI A117.1


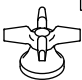
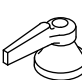



Colors/Finishes

- CP: Polished Chrome

Specified Model

Model	Description	Colors/Finishes
K-7313-K	Triton base faucet with standard Water-Guard® aerator but without handles or drain	<input type="checkbox"/> CP
K-7313-KE	Triton base faucet with vandal-resistant Water-Guard® aerator but without handles or drain	<input type="checkbox"/> CP

Required Accessories (Includes Two Handles)					
K-16012-2	Triton standard handles	<input type="checkbox"/> CP			
K-16012-3	Triton cross handles		<input type="checkbox"/> CP		
K-16012-4	Triton lever handles			<input type="checkbox"/> CP	
K-16012-5	Triton wristblade lever handles				<input type="checkbox"/> CP

Product Specification

Two-handle widespread bathroom sink base faucet shall be of brass construction. Faucet shall feature brass valve bodies. Faucet shall feature quarter-turn washerless ceramic disc valves, assuring positive handle stop positioning. Product shall be less drain and lift rod. Product shall include 12" (305 mm) rigid connections and 5-1/4" (133 mm) gooseneck spout. Optional feature shall be standard or vandal-resistant Water-Guard® aerator. Base faucet shall be Kohler Model K-7313-_____-CP and handles shall be K-16012-_____-CP.

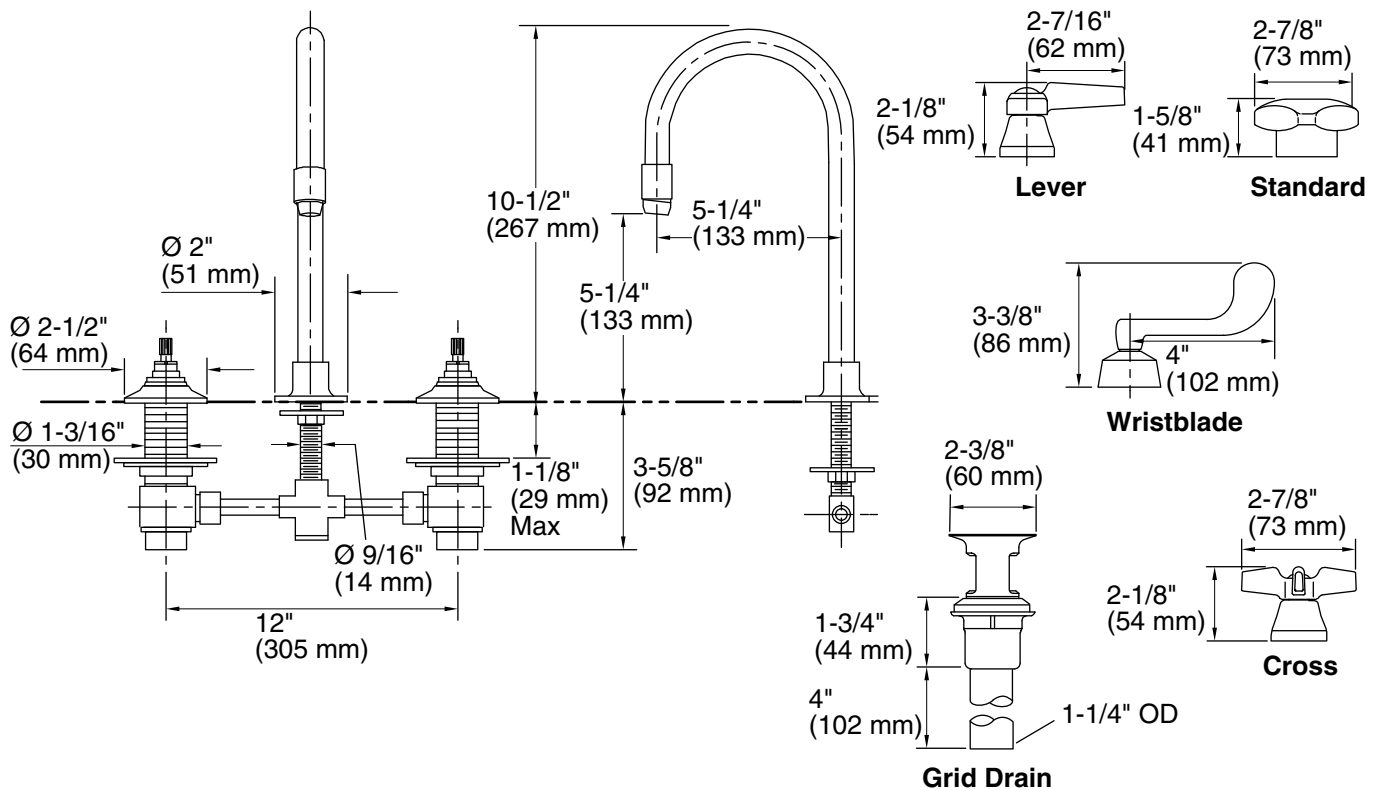
TRITON®

Optional Accessories		
1160594	Large Spray 0.35 gpm (1.32 lpm) – Insert only	<input type="checkbox"/> NA
_____	Additional flow options are available (refer to the Price Book)	_____

Installation Notes

Install this product according to the installation guide.

ADA, CSA B651, OBC compliant when installed to the specific requirements of these regulations.



Product Diagram