

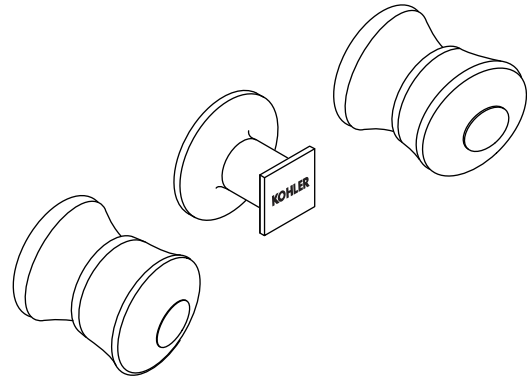
**Features**

- Metal construction
- Reversible 1/2" quarter-turn washerless ceramic disc valves
- Lever or acrylic handles

**Codes/Standards Applicable**

Specified model meets or exceeds the following:

- ASME A112.18.1/CSA B125.1





**Colors/Finishes**

- CP: Polished Chrome
- PB: Vibrant® Polished Brass

**Accessories**

- CP: Polished Chrome
- Other: Refer to Price Book for additional colors/finishes
- NA: None applicable

**Specified Model**

Model	Description				
K-T15235-4	Valve trim, with lever handle	<input type="checkbox"/> CP	<input type="checkbox"/> PB		
K-T15235-7	Valve trim, with acrylic handle			<input type="checkbox"/> CP	<input type="checkbox"/> PB
<b>Required Accessories</b>					
K-303-K	3-handle 1/2" ceramic disc valve system				<input type="checkbox"/> NA

**Product Specification**

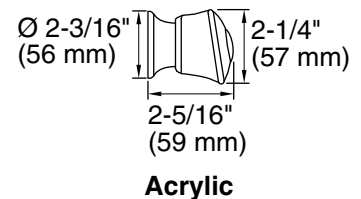
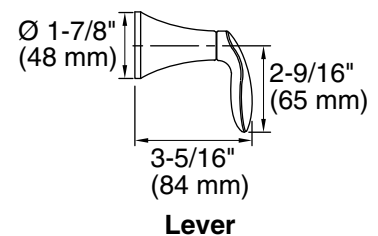
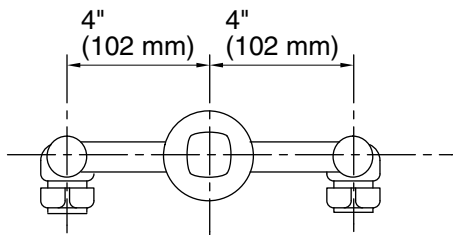
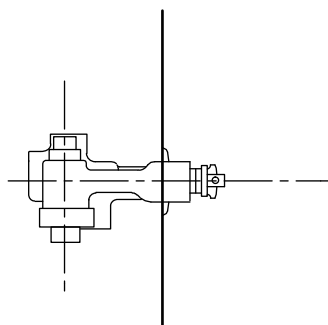
Three-handle valve trim shall be of metal construction. Faucet shall feature reversible 1/2" quarter-turn washerless ceramic disc valves. Product shall include lever or acrylic handles. Faucet shall be Kohler Model K-T15235-\_\_\_\_-\_\_\_\_ and valve system shall be Kohler Model K-303-K-NA.

# CORALAIS®

Optional Accessories			
56373	Deep roughing-in kit for wall-mount and shower faucets. For all handles except bath and shower faucets with stops	<input type="checkbox"/> CP	<input type="checkbox"/> Other_____
56374	Elongated escutcheons for bath and shower faucets with stops	<input type="checkbox"/> CP	<input type="checkbox"/> Other_____
42020	Diverter	<input type="checkbox"/> CP	<input type="checkbox"/> Other_____

## Installation Notes

Install this product according to the installation guide.



## Product Diagram