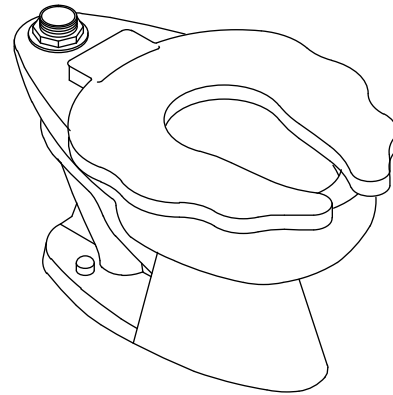


ELONGATED TOILET BOWL K-4384

ADA

Features

- Vitreous china
- Elongated bowl
- Includes K-4686 toilet seat with scalloped handhold locations for children
- Available with white, primary yellow, primary red, or primary blue colored seats
- 10" (254 mm) rough-in
- 1-1/2" top spud
- 1.28 gpf (4.8 lpf)
- 12-3/8" (314 mm) x 10-1/8" (257 mm) water area
- 26-7/8" (683 mm) x 12-7/8" (327 mm) x 12" (305 mm)



Codes/Standards Applicable

Specified model meets or exceeds the following:

- ADA-Children's Environment (ages 3 and 4 through 5 to 8)
- ICC/ANSI A117.1
- ASME A112.19.2/CSA B45.1

Colors/Finishes

- O: White toilet with white seat and hinges
- R: White toilet with red seat and green hinges
- B: White toilet with blue seat and green hinges
- Y: White toilet with yellow seat and green hinges

Accessories

- CP: Polished Chrome

Specified Model

Model	Description	Colors/Finishes			
K-4384	Elongated toilet bowl	<input type="checkbox"/> O	<input type="checkbox"/> R	<input type="checkbox"/> B	<input type="checkbox"/> Y

Recommended Accessories		
K-10673	WAVE exposed toilet flushometer – 1.28 gpf (4.8 lpf)	<input type="checkbox"/> CP
K-10956	Touchless DC toilet flushometer – 1.28 gpf (4.8 lpf)	<input type="checkbox"/> CP
K-13517	Manual toilet flushometer – 1.28 gpf (4.8 lpf)	<input type="checkbox"/> CP

Product Specification

The elongated toilet bowl shall be made of vitreous china. Bowl shall be 26-7/8" (683 mm) in length, 12-7/8" (327 mm) in width, and 12" (305 mm) in height with a 12-3/8" (314 mm) by 10-1/8" (257 mm) water area. Bowl shall be 10" (254 mm) rough-in with a 1-1/2" top spud. Bowl shall be 1.28 gpf (4.8 lpf). Bowl shall include K-4686 toilet seat with scalloped handhold locations for children. Bowl shall have a choice of white, primary yellow, primary red, or primary blue colored seat. Elongated toilet bowl shall be Kohler Model K-4384-_____.

PRIMARY™

Technical Information

Fixture:	
Configuration	top spud, elongated
Water per flush	1.28 gpf (4.8 lpf)*
Spud size	1-1/2"
Passageway	2-1/8" (54 mm)
Water area	12-3/8" (314 mm) x 10-1/8" (257 mm)
Water depth from rim	4-1/4" (108 mm)
Seat post hole centers	5-1/2" (140 mm)
* Based upon use of a 1.28 gal (4.8 L) flushometer.	

Included components:	
Spud	18357
Seat	K-4686-A
Bolt cap accessory pack	1013092

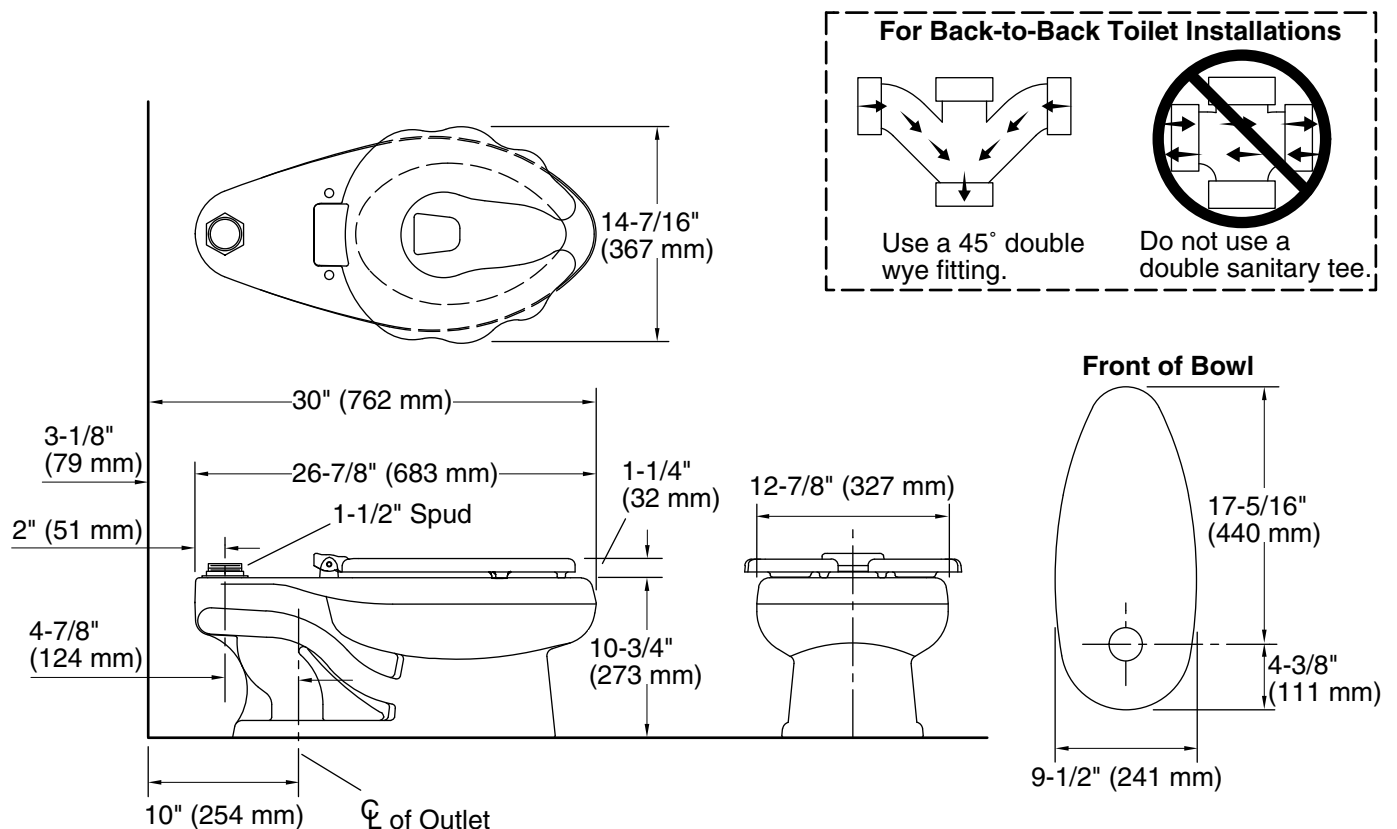
Installation Notes

Install this product according to the installation guide.

Refer to manufacturer and local codes for flushometer requirements.

For back-to-back toilet installations: Use only a 45° double wye fitting.

Will comply with **ADA** Children's Environment ages 3 and 4 through 5 to 8.



Product Diagram