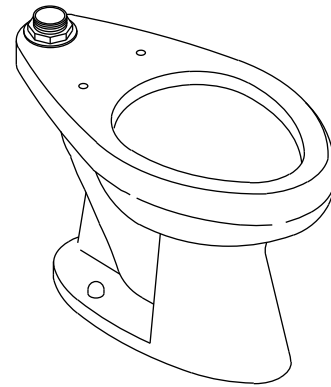


### Features

- Vitreous china
- Elongated bowl
- With bedpan lugs (-L)
- 10" (254 mm) or 12" (305 mm) rough-in
- 1-1/2" top spud
- 2-1/4" (57 mm) passageway
- 11" (279 mm) x 9" (229 mm) water area
- 1.28 gpf (4.8 lpf) or 1.6 gpf (6.0 lpf) depending on flushometer specified
- 28-1/4" (718 mm) x 14-7/8" (378 mm) x 17-1/8" (435 mm)

### ELONGATED TOILET BOWL K-4405

ADA CSA B651 OBC



### Codes/Standards Applicable

Specified model meets or exceeds the following:

- ADA
- ICC/ANSI A117.1
- CSA B651
- OBC
- ASME A112.19.2/CSA B45.1

### Colors/Finishes

- 0: White
- CP: Polished Chrome
- Other: Refer to Price Book for additional colors/finishes

### Specified Model

Model	Description	Colors/Finishes	
K-4405	Elongated toilet bowl (shown)	<input type="checkbox"/> 0	<input type="checkbox"/> Other_____
K-4405-L	Elongated toilet bowl - with bedpan lugs	<input type="checkbox"/> 0	<input type="checkbox"/> Other_____

Recommended Accessories			
K-4654	Lustra™ open front seat with support arms and cover	<input type="checkbox"/> 0	
K-4654-A	Lustra open front seat with support arms and cover (with anti-microbial agent)	<input type="checkbox"/> 0	
K-4670-CA	Lustra open front seat (with anti-microbial agent)	<input type="checkbox"/> 0	
K-4731-C	Open front seat with check hinge	<input type="checkbox"/> 0	<input type="checkbox"/> Other_____
K-4731-SC	Open front seat with self-sustaining check hinge	<input type="checkbox"/> 0	<input type="checkbox"/> Other_____
K-10673	WAVE exposed toilet flushometer – 1.28 gpf (4.8 lpf)		<input type="checkbox"/> CP
K-10956	Touchless DC toilet flushometer – 1.28 gpf (4.8 lpf)		<input type="checkbox"/> CP
K-13517	Manual toilet flushometer – 1.28 gpf (4.8 lpf)		<input type="checkbox"/> CP
For additional flushometer options, refer to the KOHLER price book.			

### Product Specification

The elongated toilet bowl shall be made of vitreous china. Bowl shall be 28-1/4" (718 mm) in length, 14-7/8" (378 mm) in width, and 17-1/8" (435 mm) in height. Bowl shall be 10" (254 mm) or 12" (305 mm) rough-in with 1-1/2" top spud. Bowl shall feature 1.28 gpf (4.8 lpf) or 1.6 gpf (6.0 lpf) depending on flushometer specified. Bowl shall have 11" (279 mm) by 9" (229 mm) water area and 2-1/4" (57 mm) passageway. Bowl shall have optional bedpan lugs (-L). Elongated toilet bowl shall be Kohler Model K-4405-\_\_\_\_\_ or K-4405-L-\_\_\_\_\_.

# HIGHLINE®

## Technical Information

Fixture*	
Configuration	top spud, elongated
Water per flush	1.28 gpf (4.8 lpf) or 1.6 gpf (6.0 lpf)*
Spud size	1-1/2" (38 mm)
Passageway	2-1/4" (57 mm)
Water area	11" (279 mm) x 9" (229 mm)
Water depth from rim	6" (152 mm)
Seat post hole centers	5-1/2" (140 mm)
Minimum static pressure required	35 psi (241.3 kPa)
Maximum static pressure	80 psi (551.6 kPa)
Minimum flowing pressure required	25 psi (172.4 kPa)
Required supply minimum	25 gal/min (94.6 l/min)
* Based upon use of a 1.28 gal (4.8 L) or 1.6 gal (6.0 L) flushometer.	

Included components:

Spud	18357
Bolt cap accessory pack	1013092
Flushometer requirements: For 12" (305 mm) rough-in, sweat extension nipple is required. Refer to manufacturer and local codes.	

## Installation Notes

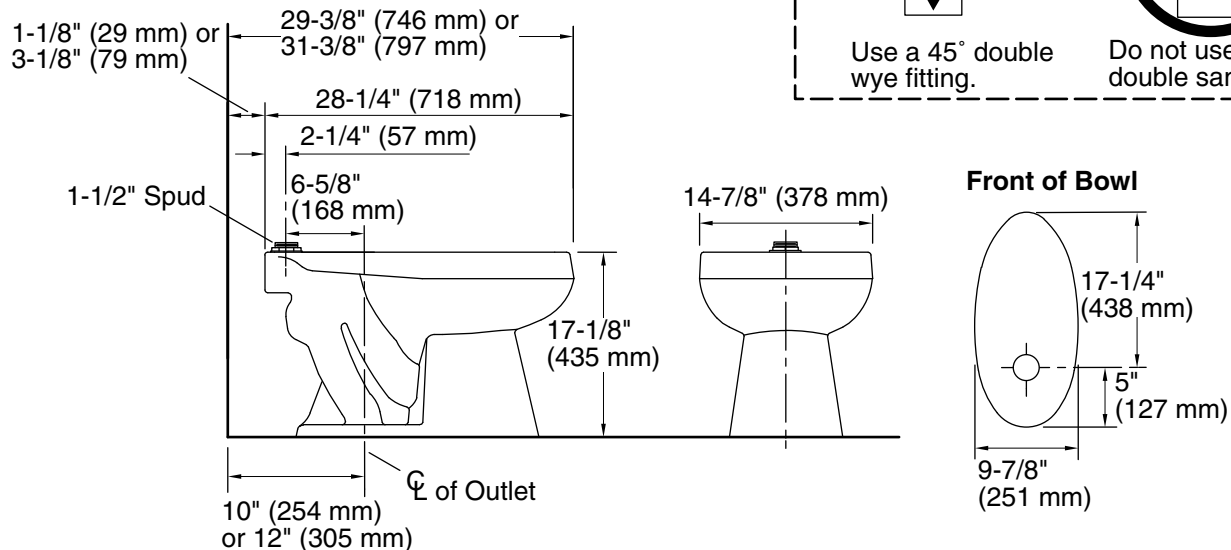
Install this product according to the installation guide.

**For back-to-back toilet installations:** Use only a 45° double wye fitting.

Will comply with the Americans with Disabilities Act (**ADA**) when installed per the requirements of the 2010 Standards for Accessible Design, Section 604 Water Closets, of the Act. The Model Plumbing Codes require the installation of elongated open-front toilet seats in public bathrooms.

Will comply with **CSA B651** when installed per Clause 4.3.6 of the standard.

Will comply with **OBC Barrier Free** requirements when installed per Clause 3.8.3.8 and 3.8.3.9.



## Product Diagram