

Features

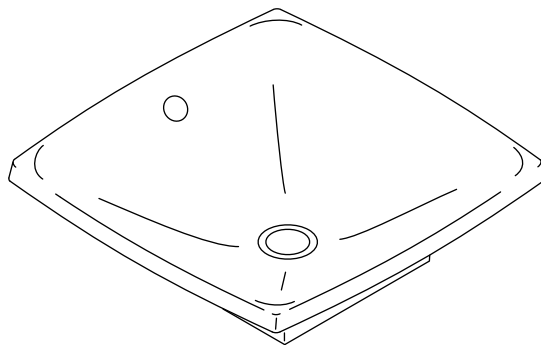
- Fireclay
- With overflow
- Above-the-counter
- 16-1/8" (410 mm) x 16-1/8" (410 mm)

ABOVE-COUNTER BATHROOM SINK K-19047

Codes/Standards Applicable

Specified model meets or exceeds the following:

- ASME A112.19.2/CSA B45.1



Colors/Finishes

- 0: White
- 47: Almond
- 96: Biscuit

Specified Model

Model	Description	Colors/Finishes		
K-19047	Above-counter bathroom sink with overflow	<input type="checkbox"/> 0	<input type="checkbox"/> 47	<input type="checkbox"/> 96

Product Specification

The above-counter bathroom sink shall be 16-1/8" (410 mm) in length and 16-1/8" (410 mm) in width. Bathroom sink shall be made of fireclay and mounted above-counter. Bathroom sink shall have overflow. Bathroom sink shall be Kohler Model K-19047-_____.

ESCALE®

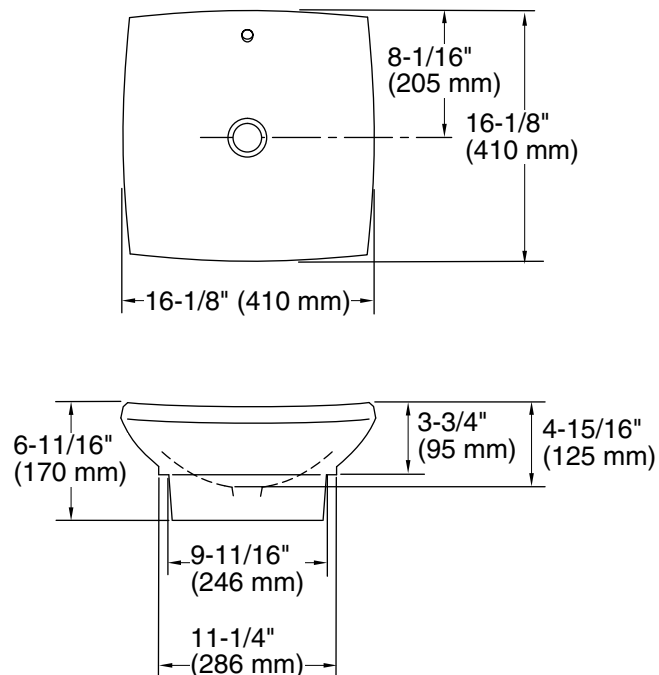
Technical Information

Fixture*:	
Basin area	16-1/8" (410 mm) x 16-1/8" (410 mm)
Water depth	3-1/2" (88 mm)
Drain hole	Ø 1-11/16" (43 mm)
*Approximate measurements for comparison only.	
Included component:	
Cut-out template	1052863-7

Installation Notes

Install this product according to the installation guide.

NOTICE: Countertop manufacturer or cutter **must** use the cut-out template provided with the product, or a current one provided by Kohler (call 1-800-4-KOHLER). Kohler is not responsible for cutout errors when incorrect cut-out template is used.



Product Diagram