

### Features

- 36-inch minimum base cabinet width.
- Large/small bowls with high/low design.
- 7-1/2-inch left depth and 5-1/2-inch right depth.
- No faucet holes.
- SilentShield Plus® sound-absorption technology helps maintain water temperature, reduces condensation, and decreases noise.
- Includes installation hardware.

### Material

- 18-gauge stainless steel.

### Installation

- Under-mount



For complete listing of available colors, go to [kohler.com](http://kohler.com).

### Codes/Standards

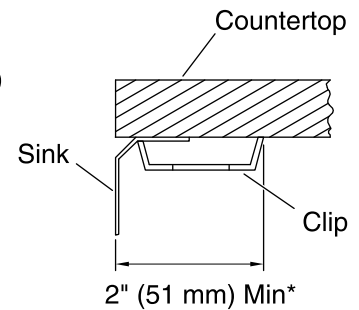
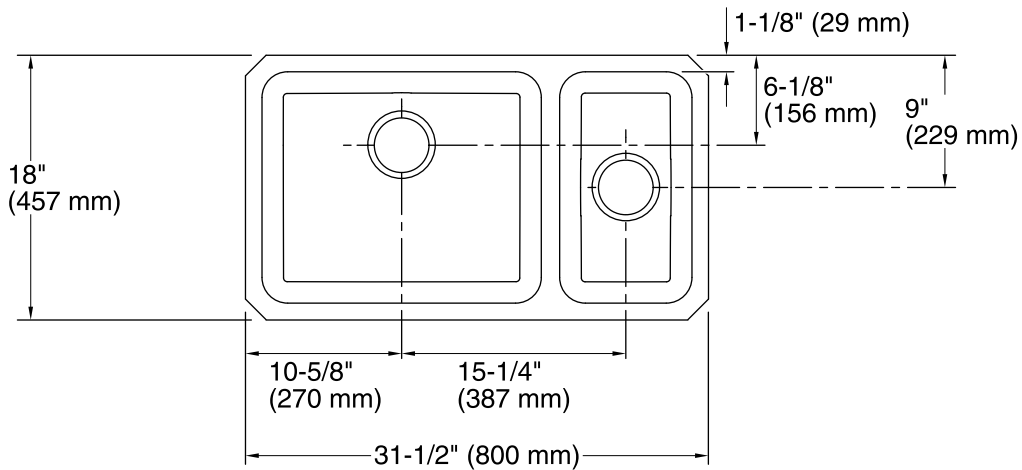
ASME A112.19.3/CSA B45.4

### Lifetime Limited Warranty for KOHLER® Stainless Steel Sinks

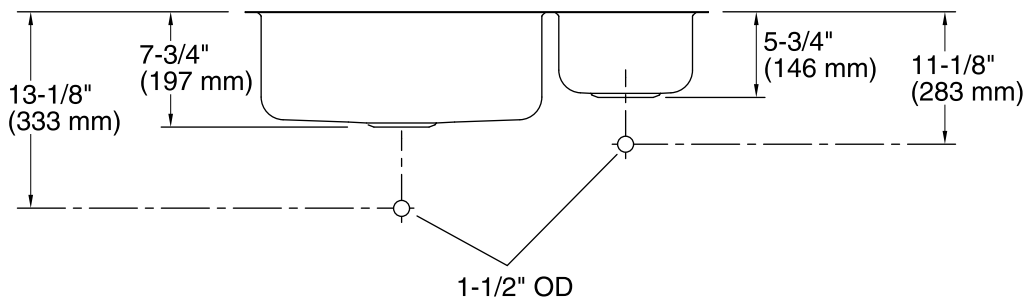
See website for detailed warranty information.

### Product Specification

Kitchen sink shall be 31-1/2" (800 mm) in length and 18" (457 mm) in width. Kitchen sink shall be made of 18-gauge stainless steel. Kitchen sink shall be large/small bowls with high/low design. Kitchen sink shall be without faucet holes. Kitchen sink shall be under-mount installation. Kitchen sink shall be KOHLER Model K-3352.



\* Allow clearance around sink rim for clip attachment.



### Technical Information

All measurements are nominal.

Bowl configuration:	High-low
Installation:	Under-mount
Bowl area (Left):	19" x 15-3/4" x 7-1/2" (483 mm x 400 mm x 191 mm)
Bowl area (Right):	9" x 15-3/4" x 5-1/2" (229 mm x 400 mm x 140 mm)
Drain hole:	3-3/4" (94 mm)
Template:	Under-mount, 1221369-7, required, included

### Installation Notes

Install this product according to the installation guide.