

UNDER-MOUNT KITCHEN SINK K-3154

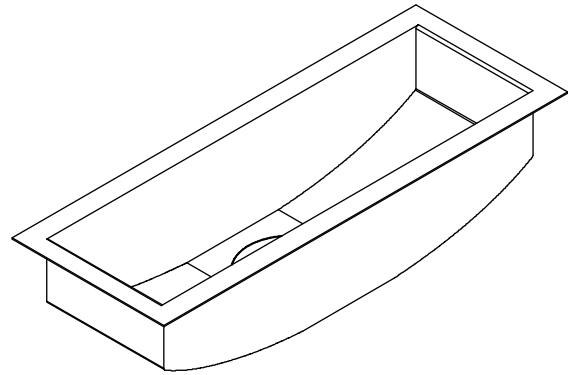
Features

- 16-gauge stainless steel
- Under-mount
- Single compartment
- Includes installation hardware
- Includes wire basket and rack
- 20" (508 mm) x 6-1/4" (159 mm)

Codes/Standards Applicable

Specified model meets or exceeds the following:

- ASME A112.19.3/CSA B45.4



Colors/Finishes

- NA: None applicable

Accessories

- CP: Polished Chrome
- ST: Stainless Steel
- NA: None applicable
- Other: Refer to Price Book for additional colors/finishes

Specified Model

Model	Description	Colors/Finishes
K-3154	Under-mount kitchen sink with wire basket and wire rack	<input type="checkbox"/> NA

Included Accessories		
K-3127	Wire basket	<input type="checkbox"/> ST
K-3136	Wire rack	<input type="checkbox"/> ST

Optional Accessories			
K-2989	Countertop cutting board	<input type="checkbox"/> NA	
K-8801	Duostrainer® sink strainer	<input type="checkbox"/> CP	<input type="checkbox"/> Other ____

Product Specification

The under-mount sink shall be made of 16-gauge stainless steel. Sink shall be 20" (508 mm) in length and 6-1/4" (159 mm) in width. Sink shall be single compartment. Sink shall include installation hardware. Sink shall include wire basket and rack. Sink shall be Kohler Model K-3154-NA.

UNDERTONE®

Technical Information

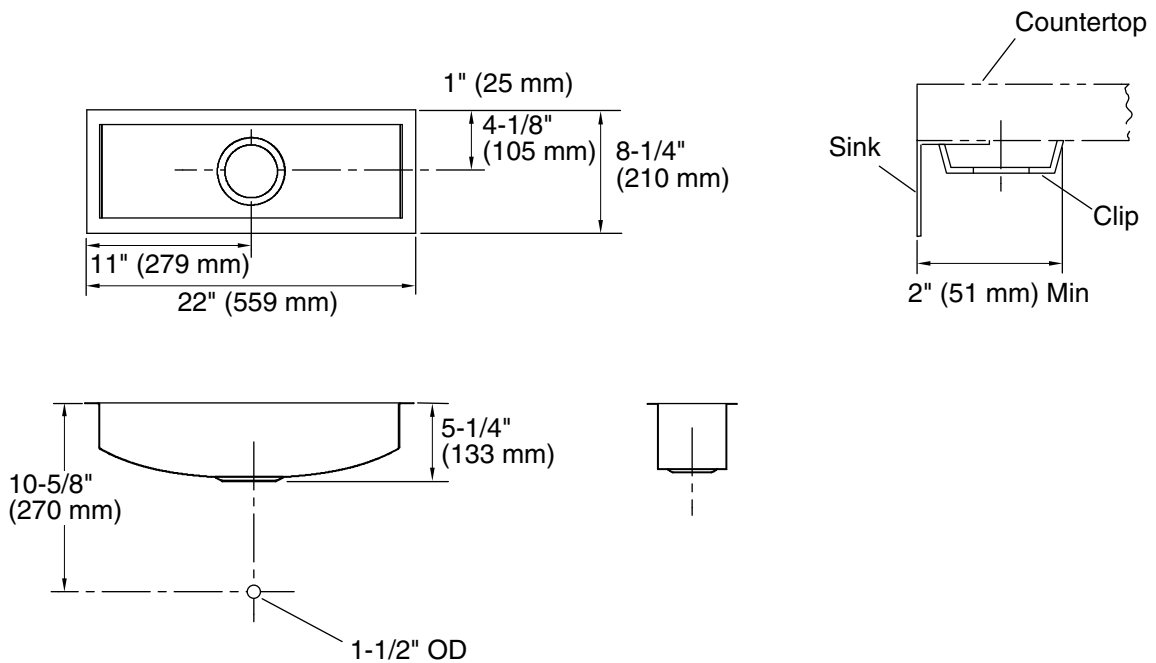
Fixture*:	
Bowl area	20" (508 mm) x 6-1/4" (159 mm)
Water depth	4-7/8" (124 mm)
Drain hole	Ø 3-5/8" (92 mm)
*Approximate measurements for comparison only.	

Included components:	
Hardware kit	91915
Cut-out template	1022026-7

Installation Notes

Install this product according to the installation guide.

Allow a minimum of 2" (51 mm) clearance around the sink rim for clip attachment.



Product Diagram