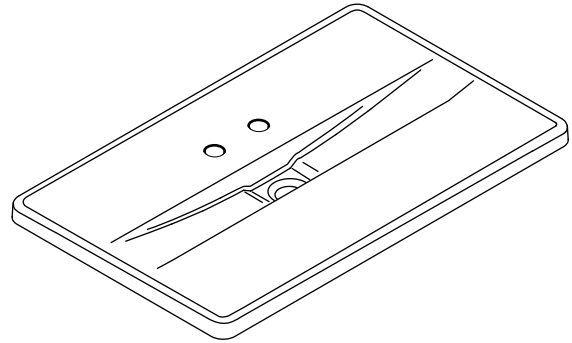


Features

- KOHLER cast iron
- Acid-resistant enamel finish
- Available with single-hole (-1), or 2-hole (-2)
- Includes drain cover and two cutting boards
- Integrated top and bowl
- 63" (1600 mm) x 39" (991 mm)

Codes/Standards Applicable

- Specified model meets or exceeds the following:
- ASME A112.19.1/CSA B45.2



Colors/Finishes

- 0: White
- Other: Refer to Price Book for additional colors/finishes

Accessories

- CP: Polished Chrome
- NA: None applicable
- ST: Stainless Steel
- Other: Refer to Price Book for additional colors/finishes

Specified Model

Model	Description	Colors/Finishes	
K-6417-1	Kitchen sink – single-hole	<input type="checkbox"/> 0	<input type="checkbox"/> Other_____
K-6417-2	Kitchen sink – 2-hole	<input type="checkbox"/> 0	<input type="checkbox"/> Other_____

Included Accessories			
K-6176	Drain cover		<input type="checkbox"/> ST
K-6177	Cutting board (package of two)	<input type="checkbox"/> NA	

Recommended Accessories			
K-6138	Table base and shroud		<input type="checkbox"/> ST

Optional Accessories			
K-8801	Duostrainer® sink strainer	<input type="checkbox"/> CP	<input type="checkbox"/> Other_____

Product Specification

Sink shall be made of cast iron with acid-resistant enamel finish. The sink shall be 63" (1600 mm) in length and 39" (991 mm) in width. Sink shall have integrated top and bowl. Sink shall include a drain cover and two cutting boards. Sink shall be single hole (-1), or 2-hole (-2). Sink shall be Kohler Model K-6417-____-____.

IRON/OCCASIONS™ ISLAND

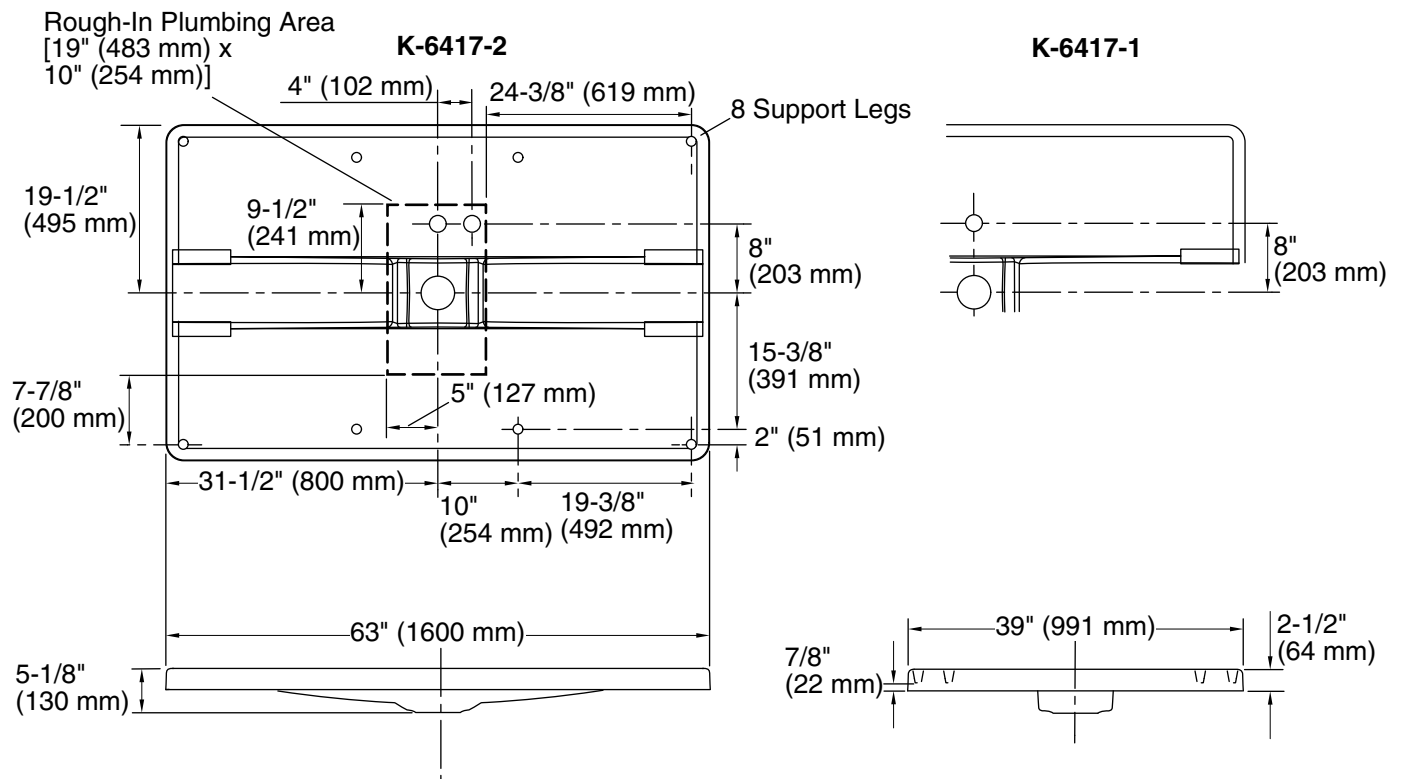
Technical Information

Fixture*:	
Bowl area	60" (1524 mm) x 8-1/4" (210 mm)
Water depth	4-1/2" (114 mm)
Drain hole	Ø 3-7/8" (98 mm)
* Approximate measurements for comparison only.	

Installation Notes

NOTE: When selecting a faucet for this sink, ensure the faucet has a spout reach of 6" (152 mm) to 10" (254 mm).

Install this product according to the installation guide.



Product Diagram

IRON/OCCASIONS™ ISLAND KITCHEN SINK

Page 2 of 2
1114138-4-B

THE BOLD LOOK
OF **KOHLER**®