

Features

- Beautifully glass round basin
- No faucet holes; requires wall- or counter-mount faucet
- Above-counter or drop-in installation
- No faucet holes

Material

- Glass

Installation

- Above-counter or drop-in

Components

Additional included component/s: Installation Tape - 84938



For complete listing of available colors, go to kohler.com.

ADA OBC

Codes/Standards

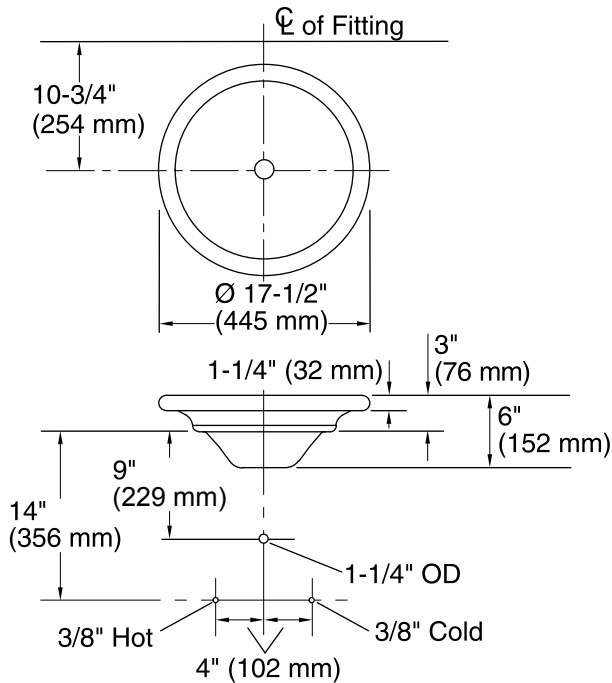
ADA
ICC/ANSI A117.1
OBC
CSA B45.11/IAPMO Z401
CSA B45.5/IAPMO Z124
TAS

KOHLER® One-Year Limited Warranty

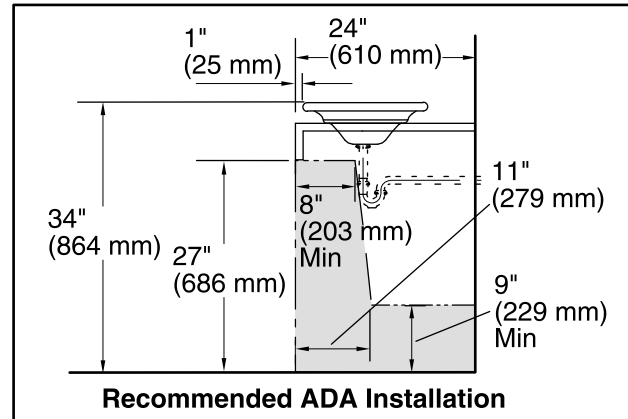
See website for detailed warranty information.

Product Specification

Bathroom sink shall be 17-1/2" (445 mm) in diameter and 6" (152 mm) in height. Bathroom sink shall be made of glass. Bathroom sink shall be less overflow. Bathroom sink shall be less deck holes. Bathroom sink shall be above-counter or drop-in installation. Bathroom sink shall be KOHLER Model K-2276.



Standard Installation



Recommended ADA Installation

Technical Information

All measurements are nominal.

Bowl configuration: Single

Installation: Above-counter, Drop-In

Bowl area (Only): 15" (381 mm) diameter
x 5-1/2" (140 mm)

Template: Above-counter, 115888-7, required,
included

Installation Notes

Install this product according to the installation guide.

Spout must be 5" (127 mm) long (min) for adequate clearance into lavatory when installed with centerline as shown.

Spout must be tall enough to clear 3" (76 mm) rim height and provide a 1" (25 mm) air gap per ASME A112.1.2.

Diagram is based on the K-9018 P-trap with a 1" (25 mm) tailpiece exposed.

ADA, OBC, TAS compliant when installed to the specific requirements of these regulations.