



## Features

- Glass
- Without overflow
- Above-the-counter installation
- ADA compliant when installed to a 1" (25 mm) thick slab with wall-mounted or single-hole, single-control faucet
- 19" (483 mm) diameter

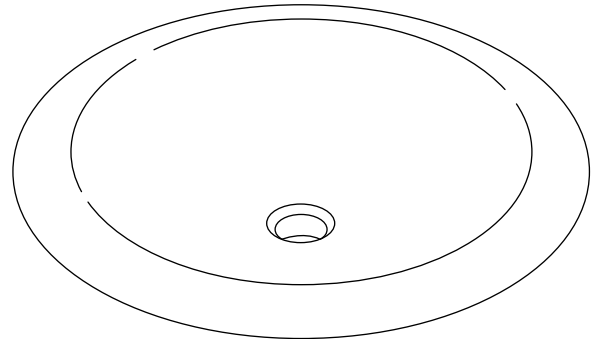
## VESSELS BATHROOM SINK K-2370 ALSO K-14016

ADA

## Codes/Standards Applicable

Specified model meets or exceeds the following:

- ADA
- ICC/ANSI A117.1
- CSA B45.11/IAPMO Z401



## Colors/Finishes

- B11: Ice™

### Accessories

- CP: Polished Chrome
- Other: Refer to Price Book for additional colors/finishes

## Specified Model

| Model   | Description                    | Colors/Finishes              |
|---------|--------------------------------|------------------------------|
| K-2370  | Mirovia® vessels bathroom sink | <input type="checkbox"/> B11 |
| K-14016 | Pallene® vessels bathroom sink | <input type="checkbox"/> B11 |

| Required Accessories |                            |                             |                                     |
|----------------------|----------------------------|-----------------------------|-------------------------------------|
| K-7107               | Decorative drain <b>OR</b> | <input type="checkbox"/> CP | <input type="checkbox"/> Other_____ |
| K-7108               | Decorative drain <b>OR</b> | <input type="checkbox"/> CP | <input type="checkbox"/> Other_____ |
| K-7129               | Grid drain                 | <input type="checkbox"/> CP | <input type="checkbox"/> Other_____ |

## Product Specification

The vessels bathroom sink shall be made of glass. Bathroom sink shall be 19" (483 mm) in diameter. Bathroom sink shall be for above-the-counter installation. Bathroom sink shall be without overflow. Bathroom sink shall be ADA compliant when installed to a 1" (25 mm) thick slab with wall-mounted or single-hole, single-control faucet. Bathroom sink shall be Kohler Model K-\_\_\_\_-B11.

## Technical Information

|   |                    |                    |
|---|--------------------|--------------------|
| Fixture*:                                       |                    |                    |
| Bathroom sink                                   | K-2370             | K-14016            |
| Basin area                                      | Ø 15-3/4" (400 mm) | Ø 15-3/4" (400 mm) |
| Water depth                                     | 3-1/2" (89 mm)     | 3-1/2" (89 mm)     |
| Drain hole                                      | Ø 1-5/8" (41 mm)   | Ø 1-5/8" (41 mm)   |
| * Approximate measurements for comparison only. |                    |                    |
| Included components:                            |                    |                    |
| Drain gasket kit                                | 1070246            |                    |

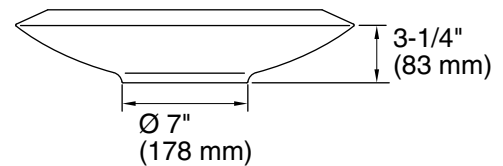
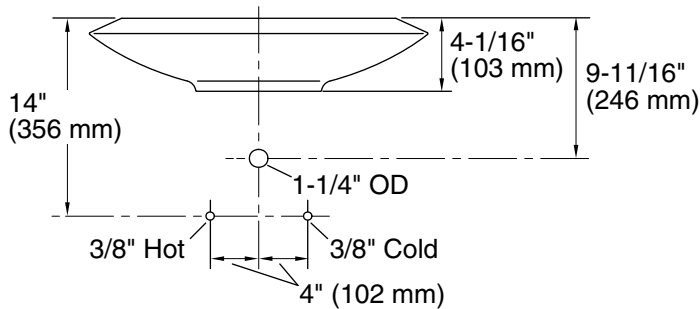
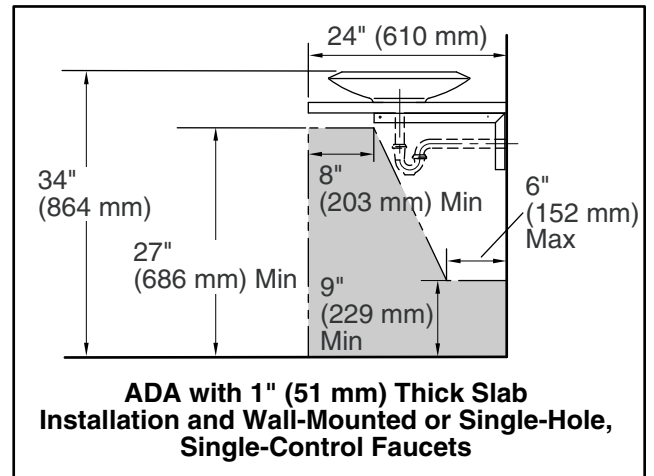
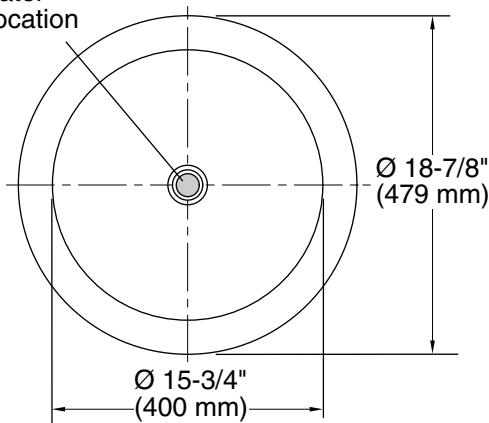
## Installation Notes

Install this product according to the installation guide.

Product does not have an overflow.

Will comply with **ADA** when installed per Section 606 Lavatories of the 2010 ADA Standards for Accessible Design.

Optimal Water Delivery Location



## Product Diagram