

Features

- Vitreous china
- With overflow
- Wall-mount
- Drilled for concealed arm carrier
- Optional soap dispenser hole on left (-L) or right (-R)
- 11-1/2" (292 mm) centers (K-12634), 4" (102 mm) centers (K-12636), or single-hole (K-12638)
- 20" (508 mm) x 27" (686 mm)

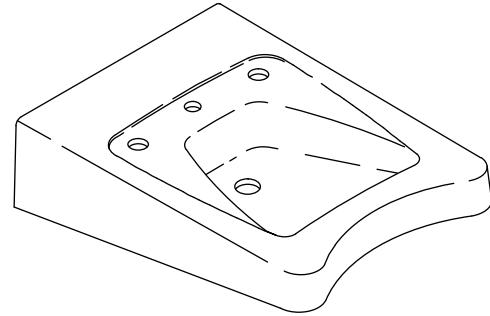
WHEELCHAIR BATHROOM SINK K-12634

ALSO K-12636, K-12638

ADA

CSA B651

OBC



Codes/Standards Applicable

Specified model meets or exceeds the following:

- ADA
- ICC/ANSI A117.1
- CSA B651
- OBC
- ASME A112.19.2/CSA B45.1

Colors/Finishes

- 0: White
- Other: Refer to Price Book for additional colors/finishes

Accessories

- CP: Polished Chrome

Specified Model

Model	Description	Colors/Finishes	
K-12634	Bathroom sink - 11-1/2" (292 mm) centers, less soap dispenser hole	<input type="checkbox"/> 0	<input type="checkbox"/> Other _____
K-12634-L	Bathroom sink - 11-1/2" (292 mm) centers, with soap dispenser hole on left	<input type="checkbox"/> 0	<input type="checkbox"/> Other _____
K-12634-R	Bathroom sink - 11-1/2" (292 mm) centers, with soap dispenser hole on right	<input type="checkbox"/> 0	<input type="checkbox"/> Other _____
K-12636	Bathroom sink - 4" (102 mm) centers, less soap dispenser hole	<input type="checkbox"/> 0	<input type="checkbox"/> Other _____
K-12636-L	Bathroom sink - 4" (102 mm) centers, with soap dispenser hole on left	<input type="checkbox"/> 0	<input type="checkbox"/> Other _____
K-12636-R	Bathroom sink - 4" (102 mm) centers, with soap dispenser hole on right	<input type="checkbox"/> 0	<input type="checkbox"/> Other _____
K-12638	Bathroom sink - single-hole, less soap dispenser hole	<input type="checkbox"/> 0	<input type="checkbox"/> Other _____
K-12638-L	Bathroom sink - single-hole, with soap dispenser hole on left	<input type="checkbox"/> 0	<input type="checkbox"/> Other _____
K-12638-R	Bathroom sink - single-hole, with soap dispenser hole on right	<input type="checkbox"/> 0	<input type="checkbox"/> Other _____

Product Specification

The wheelchair bathroom sink shall be made of vitreous china. Sink shall be 20" (508 mm) in length, and 27" (686 mm) in width. Sink shall have 11-1/2" (292 mm) centers (K-12634), 4" (102 mm) centers (K-12636), or single-hole (K-12638). Sink shall be wall-mount, and drilled for concealed arm carrier. Sink shall have overflow, and optional soap dispenser hole on left (-L) or right (-R). Wheelchair bathroom sink shall be Kohler Model K-_____-_____-_____.

MORNINGSIDE™

Recommended Accessories

K-8998	P-trap	<input type="checkbox"/> CP
K-7131-A	Offset drain	<input type="checkbox"/> CP

Technical Information

Fixture*:	
Bowl area	14" (356 mm) x 13" (330 mm)
Water depth	2-5/8" (67 mm)
Drain hole	Ø 1-3/4" (44 mm)
*Approximate measurements for comparison only.	

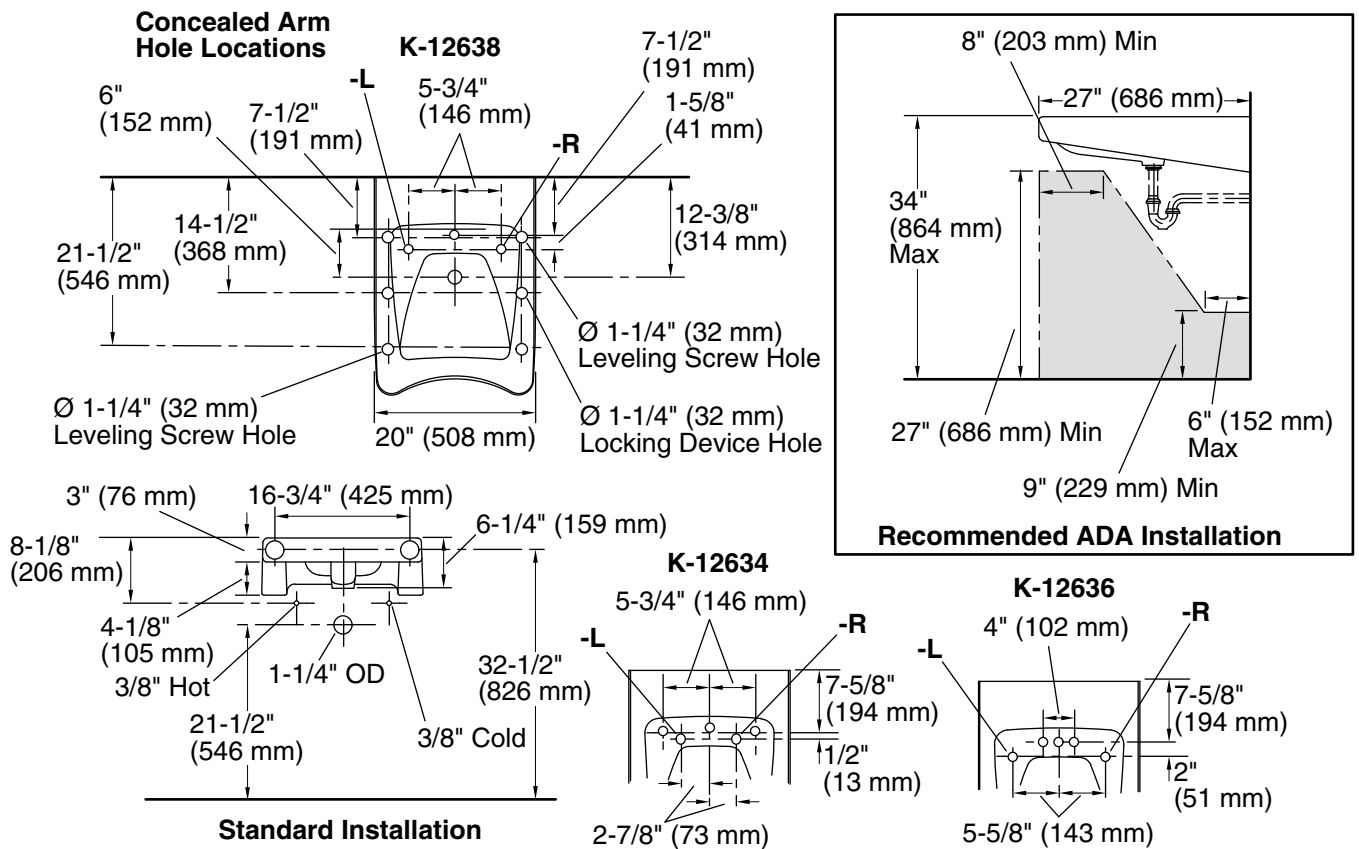
	K-12634	K-12636	K-12638
Spout hole	Ø 1-3/8" (35 mm)	Ø 1-1/4" (32 mm)	Ø 1-3/8" (35 mm)
Faucet holes	Ø 1-3/8" (35 mm)	Ø 1-1/4" (32 mm)	
Soap dispenser hole	Ø 1-1/4" (32 mm)		

Installation Notes

Will comply with **ADA** when installed per Section 606 Lavatories and Sinks of the 2010 ADA Standards for Accessible Design.

Will comply with **CSA B651** when installed per Clause 4.3.3 of the standard.

Will comply with **OBC** when installed per Clause 3.8.3.11.



Product Diagram