

Features

- Vitreous china
- Under-mount
- Includes 52047 clamp assembly
- Without overflow
- Available with KOHLER Artist Editions designs
- 17" (432 mm) x 13" (330 mm)

UNDER-MOUNT BAR SINK

K-2330-N

ALSO K-14265, K-14275

ADA

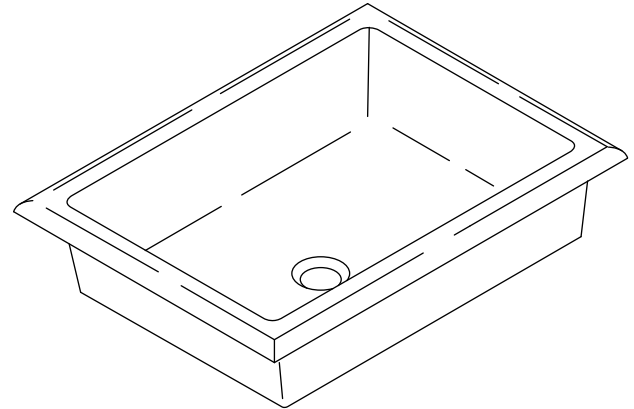
CSA B651

OBC

Codes/Standards Applicable

Specified model meets or exceeds the following:

- ADA
- ASME A112.19.2/CSA B45.1
- ICC/ANSI A117.1
- CSA B651
- OBC



Colors/Finishes

- 0: White
- Other: Refer to Price Book for additional colors/finishes

Accessories

- CP: Polished Chrome
- Other: Refer to Price Book for additional colors/finishes

Specified Model

Model	Description	Colors/Finishes	
K-2330-N	Under-mount bar sink, less glazed underside	<input type="checkbox"/> 0	<input type="checkbox"/> Other _____
K-14265	Under-mount sink with glazed underside – Artist Editions		<input type="checkbox"/> Other _____
K-14275	Under-mount sink less glazed underside – Artist Editions		<input type="checkbox"/> Other _____

Recommended Accessories			
K-7715	Grid drain	<input type="checkbox"/> CP	<input type="checkbox"/> Other _____

Product Specification

The under-mount bar sink shall be made of vitreous china. Sink shall be 17" (432 mm) in length and 13" (330 mm) in width. Bar sink shall be without overflow. Bar sink shall include 52047 clamp assembly. Bar sink will be available with KOHLER Artist Editions designs. Bar sink shall be Kohler Model K-_____-____ or K-2330-N-_____.

KATHRYN®

Technical Information

Fixture*:	
Bowl area	17" (432 mm) x 13" (330 mm)
Water depth	4-1/2" (114 mm)
Drain hole	Ø 1-3/4" (44 mm)
* Approximate measurements for comparison only.	
Cutout template	1006809-7
Included components:	
Basin clamp assembly	52047

Installation Notes

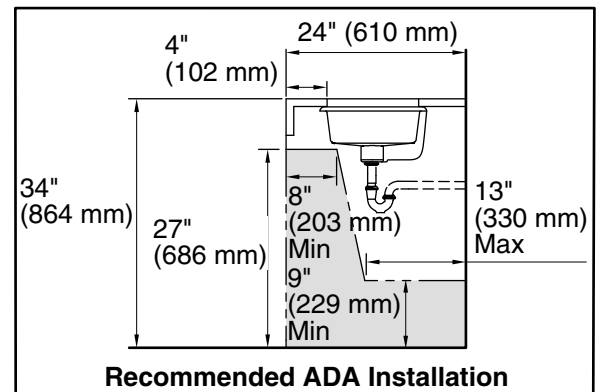
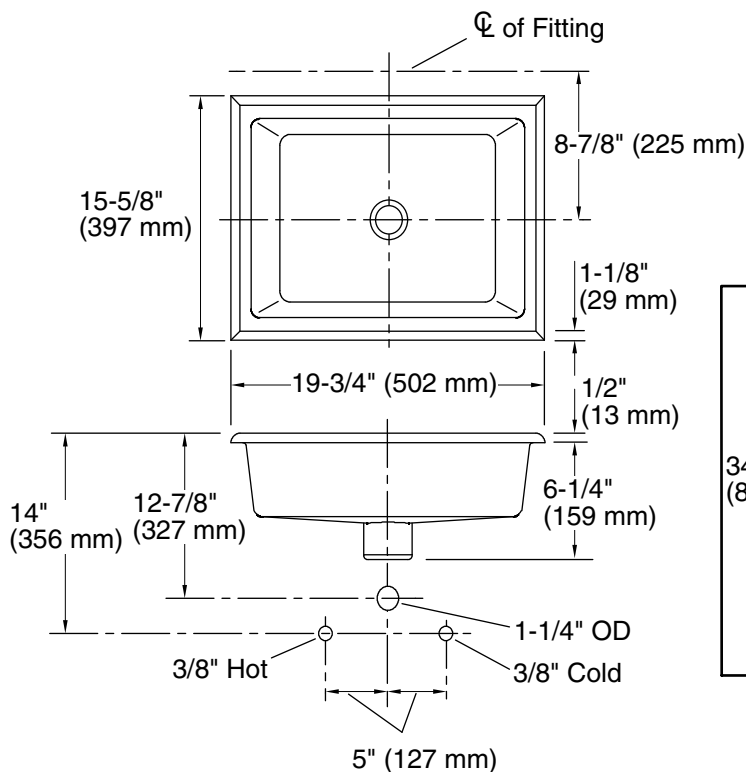
Install this product according to the installation guide.

Will comply with **ADA** when installed per Section 606 Lavatories of the Act.

Will comply with **CSA B651** when installed per Clause 4.3.3 of the standard.

Will comply with **OBC** when installed per Clause 3.8.3.11.

NOTICE: Countertop manufacturer or cutter must use the current product template available at www.kohler.com, or by calling 1-800-4KOHLER. Kohler Co. is not responsible for cutout errors when the incorrect cutout template is used.



Product Diagram