

### Features

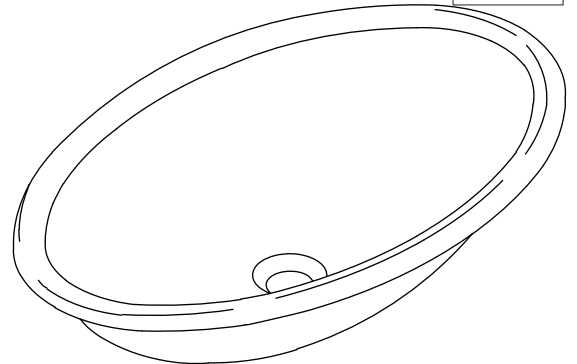
- Vitreous china
- ADA compliant
- Drop-in
- With overflow
- Available with KOHLER Artist Editions designs
- 24" (610 mm) x 15" (381 mm)

### DROP-IN BATHROOM SINK

# K-2220

## ALSO K-14156, K-14272

ADA



### Codes/Standards Applicable

Specified model meets or exceeds the following:

- ADA
- ASME A112.19.2/CSA B45.1
- ICC/ANSI A117.1

### Colors/Finishes

- 0: White
- Other: Refer to Price Book for additional colors/finishes

### Accessories

- CP: Polished Chrome

### Specified Model

Model	Description	Colors/Finishes	
K-2220	Drop-in bathroom sink	<input type="checkbox"/> 0	<input type="checkbox"/> Other _____
K-14156	Drop-in bathroom sink – Artist Editions	<input type="checkbox"/> 0	<input type="checkbox"/> Other _____
K-14272	Drop-in bathroom sink – Artist Editions		<input type="checkbox"/> Other _____
Recommended Accessories			
K-8998	P-Trap		<input type="checkbox"/> CP

### Product Specification

The drop-in bathroom sink shall be made of vitreous china. Bathroom sink shall be 24" (610 mm) in length and 15" (381 mm) in width. Bathroom sink shall include overflow. Bathroom sink shall be available with KOHLER Artist Editions designs. Bathroom sink shall be Kohler Model K-\_\_\_\_\_-\_\_\_\_\_.

# VINTAGE®

## Technical Information

Fixture*:	
Bathroom sink	
Basin area	21" (533 mm) x 12" (305 mm)
Water depth	4-7/8" (124 mm)
Outlet	Ø 1-3/4" (44 mm)
* Approximate measurements for comparison only.	

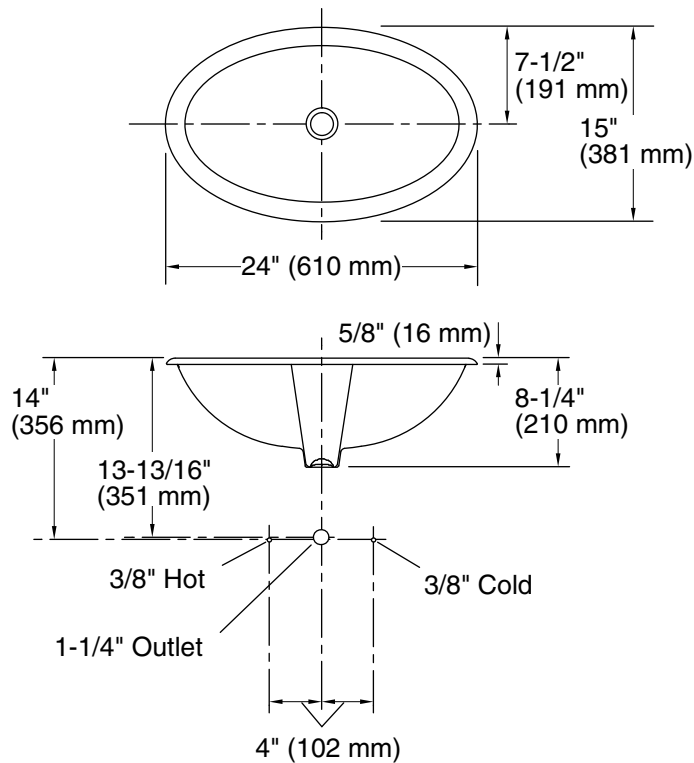
Included components:	
Adjustable linkage	40372
Cut-out template	110359-7

## Installation Notes

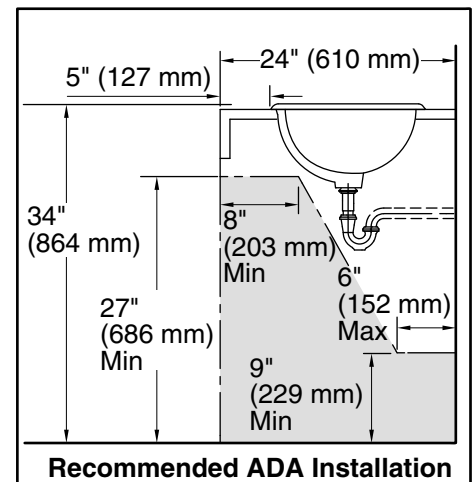
Install this product according to the installation guide.

4-5/8" (117 mm) minimum faucet spout length needed to reach over rim into basin.

**NOTICE:** Countertop manufacturer or cutter **must** use the cutout template provided with the product, or a current one provided by Kohler Co. (call 1-800-4-KOHLER). Kohler Co. is not responsible for cutout errors when the incorrect cutout template is used.



Standard Installation



Recommended ADA Installation

## Product Diagram