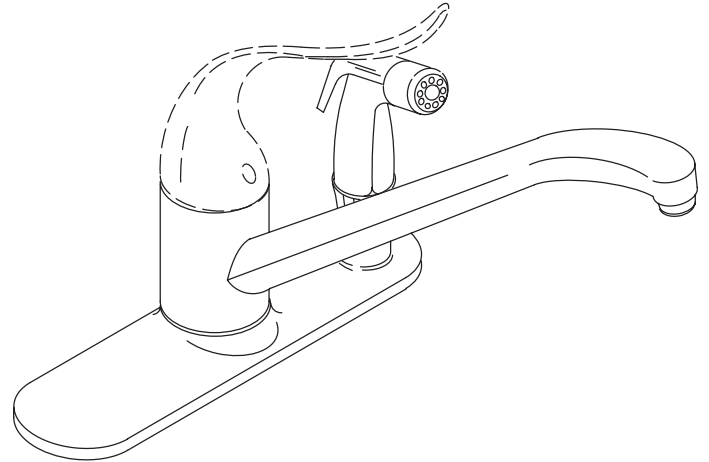


**KITCHEN SINK FAUCET  
K-P15173  
PROJECT PACK**

**FEATURES**

- Metal construction
- One-piece self-contained ceramic disc valve allows both volume and temperature control
- Temperature memory allowing faucet to be turned on and off at any temperature setting
- High-temperature limit stop
- Available with a 8-1/2" (21.6cm) or 10" (25.4cm) swing spout
- 2.2 gallons (8.3L) per minute
- Lever or loop handle
- Black handspray through escutcheon
- 22" (55.9cm) long stainless steel flexible hose connections
- Packaged six per case



**CODES/STANDARDS APPLICABLE**

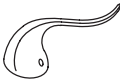


Specified model meets or exceeds the following:

- ASME/ANSI A112.18.1M
- CSA International B125
- Energy Policy Act of 1992
- IAPMO/UPC
- NSF 61

**COLORS/FINISHES**

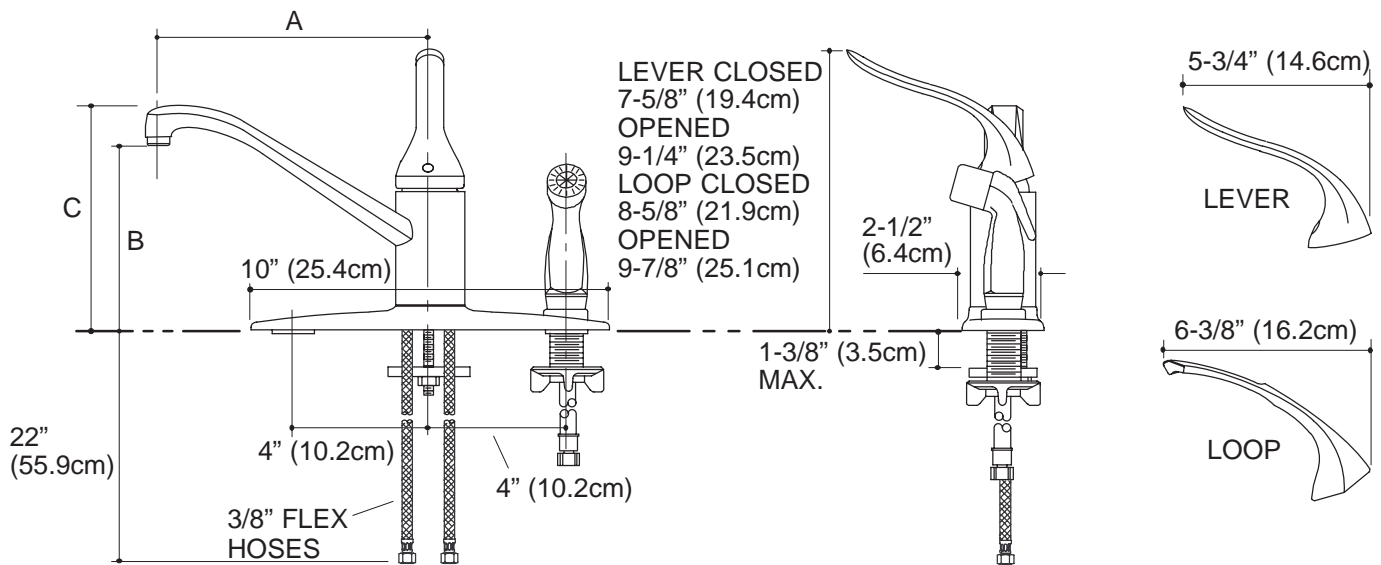
- CP Polished Chrome

**SPECIFIED MODEL:**

Model	Description	 ADA	 ADA
K-P15173-F	8-1/2" (21.6cm) Swing Spout	<input type="checkbox"/> CP	
K-P15173-FL	10" (25.4cm) Swing Spout		<input type="checkbox"/> CP
Optional Accessory			
K-15179-A	12" Swing Spout and Aerator		<input type="checkbox"/> CP

**PRODUCT SPECIFICATION:**

Single-control kitchen sink faucet shall be of metal construction. The valve shall be a one-piece, self-contained ceramic disc valve, and allows both volume and temperature control. The valve shall feature temperature memory, allowing the faucet to be turned on and off at any temperature setting, and includes a high-temperature limit stop. Product shall include 8-1/2" or 10" (25.4cm) swing spout, lever or loop handle handle, and black handspray through escutcheon. Product shall include 22" (55.9cm) long stainless steel flexible hose connections. Faucet shall be Kohler Model K-P15173-\_\_\_\_-CP. Project Pack faucets are packaged six per case.



A	B	C
8-1/2" (21.6cm)	6-7/8" (17.5cm)	6-1/4" (15.9cm)
10" (25.4cm)	6-1/4" (15.9cm)	7-1/4" (18.4cm)

## PRODUCT DIAGRAM