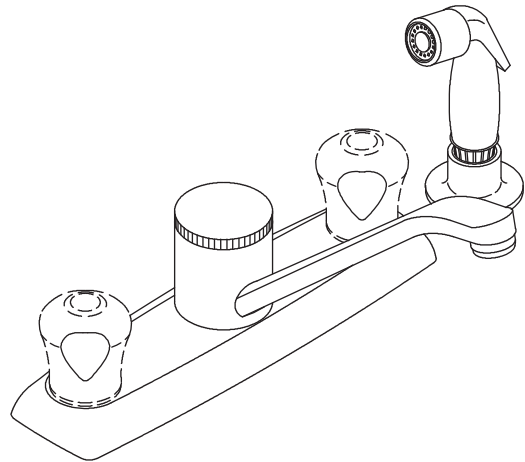


**KITCHEN SINK FAUCET
K-15253**

ADA

Features

- Metal construction
- Reversible quarter-turn washerless ceramic disc valves
- Lower flow aerator options are available (refer to the Kohler Price Book)
- Matching finish sidespray
- 7-5/8" (194 mm) swing spout reach
- Available with sculptured acrylic, blade, or lever handles
- Lower flow aerator options available (refer to the Kohler Price Book)
- 2.2 gallons (8.3 L) per minute maximum flow rate



Codes/Standards Applicable

Specified model meets or exceeds the following at date of manufacture:

- ADA
- ASME A112.18.1/CSA B125.1
- ICC/ANSI A117.1
- Energy Policy Act of 1992
- NSF 61
- All applicable US Federal and State material regulations




Colors/Finishes

- CP: Polished Chrome

Accessories

- CP: Polished Chrome
- NA: None applicable

Specified Model

Model	Description	Sculptured Acrylic 	Blade  ADA	Lever  ADA
K-15253	Kitchen sink faucet	<input type="checkbox"/> CP		
K-15253-B	Kitchen sink faucet		<input type="checkbox"/> CP	
K-15253-4	Kitchen sink faucet			<input type="checkbox"/> CP

Optional Accessories

K-15280	12" (305 mm) swing spout with aerator	<input type="checkbox"/> CP
1030920	Sidespray deep roughing-in kit	<input type="checkbox"/> NA

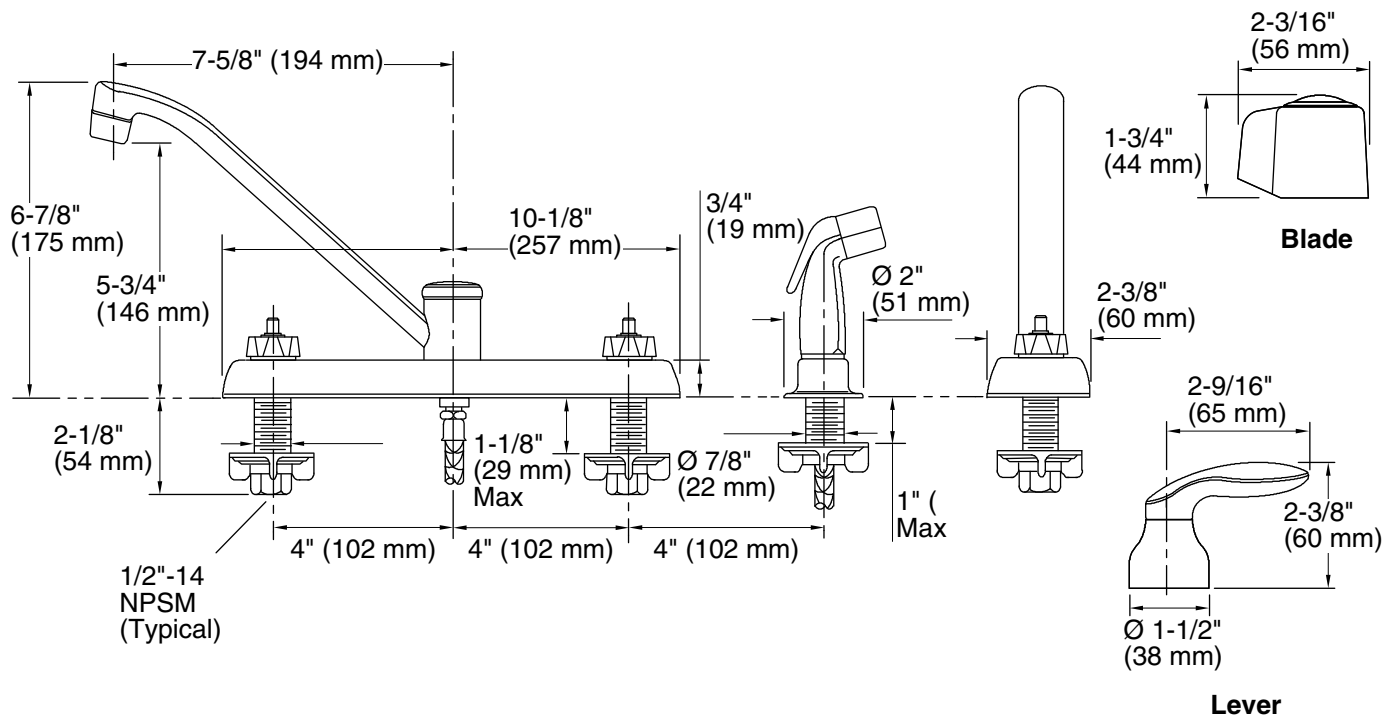
Product Specification

The two-handle kitchen sink faucet shall be of metal construction. Product shall have a maximum flow rate of 2.2 gallons (8.3 L) per minute with lower flow aerator options available (refer to the Kohler Price Book). Product shall feature reversible quarter-turn washerless ceramic disc valves, a 7-5/8" (194 mm) swing spout reach, and a matching finish sidespray. Faucet shall be for 8" (203 mm) centers. Product shall be available with sculptured acrylic, blade, or lever handles. Faucet shall be Kohler Model K-15253-____-CP.

CORALAIS®

Installation Notes

Install this product according to the installation guide.



Product Diagram