

### Features

- 16-gauge stainless steel
- Mirror finished rim (-H)
- Under-mount
- Single bowl
- Includes cutting board and bottom bowl rack
- Includes installation hardware
- 14" (356 mm) x 14" (356 mm)

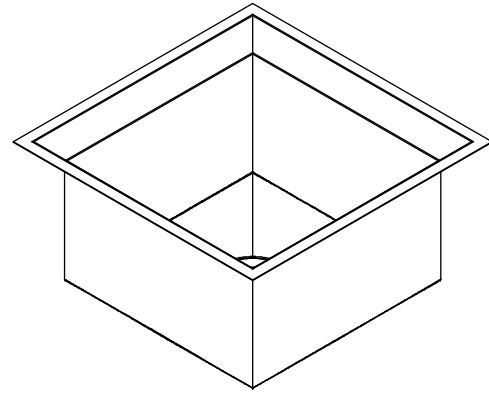
## UNDER-MOUNT BAR SINK K-3161

ADA

### Codes/Standards Applicable

Specified model meets or exceeds the following:

- ADA
- ASME A112.19.3/CSA B45.4



### Colors/Finishes

- NA: None applicable

#### Accessories:

- CP: Polished Chrome
- ST: Stainless Steel
- NA: None applicable
- Other: Refer to Price Book for additional colors/finishes

### Specified Model

Model	Description	Colors/Finishes	
K-3161	Under-mount bar sink - with cutting board and bottom bowl rack	<input type="checkbox"/> NA	
K-3161-H	Under-mount bar sink - with mirror finished rim, cutting board, and bottom bowl rack	<input type="checkbox"/> NA	
<b>Included Accessories</b>			
K-3140	Bamboo™ cutting board	<input type="checkbox"/> NA	
K-3142	Bottom bowl rack	<input type="checkbox"/> ST	
<b>Optional Accessories</b>			
K-2989	Countertop cutting board	<input type="checkbox"/> NA	
K-8801	Duostrainer® sink strainer	<input type="checkbox"/> CP	<input type="checkbox"/> Other_____

### Product Specification

The under-mount bar sink shall be 14" (356 mm) in length and 14" (356 mm) in width. Sink shall be made of 16-gauge stainless steel. Sink shall have mirror finished rim (-H). Sink shall be single bowl. Sink shall include cutting board, bottom bowl rack, and installation hardware. Bar sink shall be Kohler Model K-3161-NA or K-3161-H-NA.

## Technical Information

Fixture*:	
Bowl area	14" (356 mm) x 14" (356 mm)
Water depth	9-3/16" (233 mm)
Drain hole	Ø 3-5/8" (92 mm)
*Approximate measurements for comparison only.	

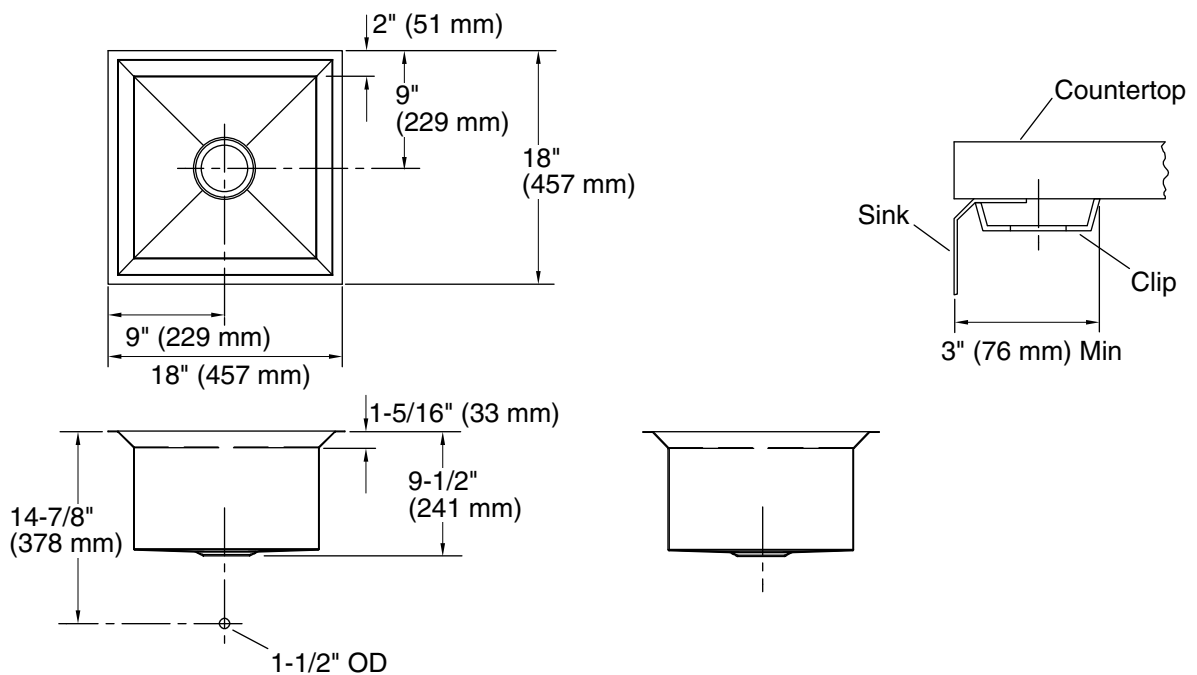
Included components:	
Hardware kit	91915
Cutout template	1022021-7
Sink	K-3391
Bamboo™ cutting board	K-3140
Bottom bowl rack	K-3142

## Installation Notes

Install this product according to the installation guide.

Allow a minimum of 3" (76 mm) clearance around the sink rim for clip attachment.

Will comply with **ADA** when installed per Section 606 Lavatories and Sinks of the 2010 ADA Standards for Accessible Design.



## Product Diagram