

BATHROOM SINK BASE FAUCET K-7303-K

ADA

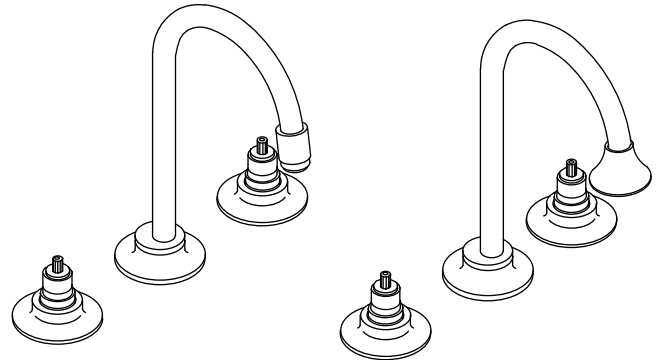
Features

- Brass valve bodies
- Brass construction
- Quarter-turn washerless ceramic disc valves
- 2.0 gallons (7.6 L) per minute flow rate [max at 60 psi (4.14 bar)]
- 8" (203 mm) rigid connections
- Variety of handle style options
- 5-1/4" (133 mm) gooseneck spout
- Available with standard or vandal-resistant Water-Guard® aerator, or rosespray

Codes/Standards Applicable

Specified model meets or exceeds the following:

- IAPMO/UPC
- Energy Policy Act of 2005
- ADA
- ICC/ANSI A117.1
- ASME A112.18.1/CSA B125.1



K-7303-K & -KE


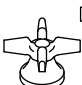


K-7303-KC

Colors/Finishes

- CP: Polished Chrome

Specified Model

Model	Description	Colors/Finishes			
K-7303-K	Triton base faucet with standard aerator but without handles or drain	<input type="checkbox"/> CP			
K-7303-KE	Triton base faucet with vandal-resistant Water-Guard® aerator but without handles or drain	<input type="checkbox"/> CP			
K-7303-KC	Triton base faucet with rosespray but without handles or drain	<input type="checkbox"/> CP			

Required Accessories (Includes Two Handles)					
K-16012-2	Triton standard handles	<input type="checkbox"/> CP			
K-16012-3	Triton cross handles		<input type="checkbox"/> CP		
K-16012-4	Triton lever handles			<input type="checkbox"/> CP	
K-16012-5	Triton wristblade lever handles				<input type="checkbox"/> CP

Product Specification

Two-handle widespread bathroom sink base faucet shall be of brass construction. Faucet shall feature brass valve bodies. Faucet shall feature quarter-turn washerless ceramic disc valves, assuring positive handle stop positioning. Product shall be less drain and lift rod. Product shall include 8" (203 mm) rigid connections, and 5-1/4" (133 mm) gooseneck spout. Optional feature shall be standard or vandal-resistant Water-Guard® aerator, or rosespray. Base faucet shall be Kohler Model K-7303-_____-CP and handles shall be K-16012-_____-CP.

TRITON®

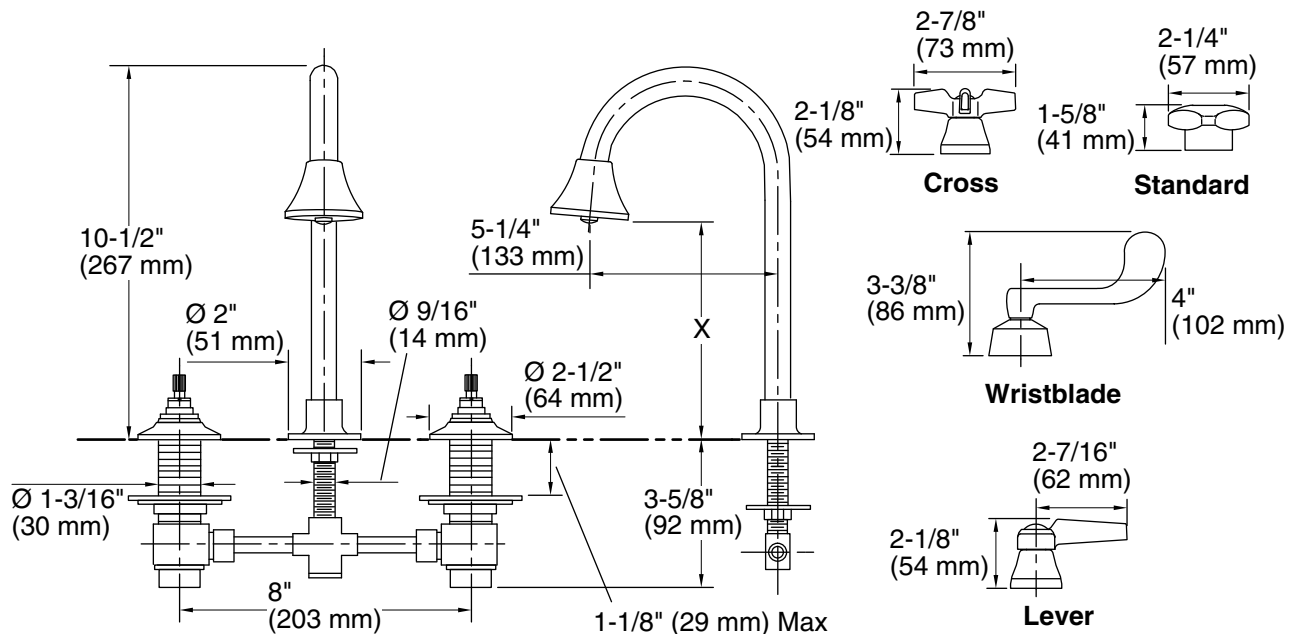
Technical Information

Applicable faucet:	
Base faucet with standard aerator but without handles or drain*	K-7303-K
Base faucet with vandal-resistant Water-Guard® aerator but without handles or drain*	K-7303-KE
Base faucet with rosespray (shown in illustration) but without handles or drain*	K-7303-KC
Applicable Triton handles:	
Standard handles	K-16012-2
Cross handles	K-16012-3
Lever handles	K-16012-4
Wristblade lever handles	K-16012-5
* Handles must be ordered to complete faucet.	
Cross and lever handles are ADA compliant. ADA	
Wristblade handles are ADA, ICC/ANSI A117.1, CSA B651, OBC compliant.	

Installation Notes

Install this product according to the installation guide.

ADA, ICC/ANSI A117.1, CSA B651, OBC compliant when installed to the specific requirements of these regulations.



	X
With Aerator	5-1/4" (133 mm)
With Rosespray	6" (152 mm)

Product Diagram