

**SHOWER FAUCET TRIM  
K-P15611**

**PROJECT PACK**

**ALSO K-304, K-306-KS, K-308**

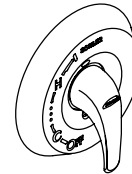
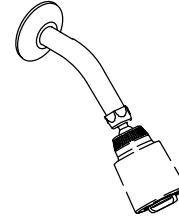
**FEATURES**

- Metal construction
- Lever handle
- Packaged 12 per case

**CODES/STANDARDS APPLICABLE**

Specified model meets or exceeds the following:

- ASME/ANSI A112.18.1M
- CSA International B125
- IAPMO/UPC listed

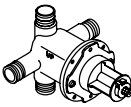
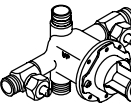
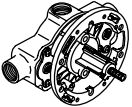


**COLORS/FINISHES**

- CP Polished Chrome
- PB Polished Brass
- Other Refer to Faucets Price Book for additional finishes

**SPECIFIED MODEL:** For complete faucet, both faucet trim and mixing valve must be specified.

Model	Description			
K-P15611-4	With Lever Handle	<input type="checkbox"/> CP	<input type="checkbox"/> PB	<input type="checkbox"/> Other_____
K-P15611-4N	With Lever Handle, Less Showerhead	<input type="checkbox"/> CP		

Required Accessory				
K-304-K	Rite-Temp Valve Without Stops	<input type="checkbox"/> NA		
K-304-KS	Rite-Temp Valve With Stops		<input type="checkbox"/> NA	
K-306-KS	HiFlow Rite-Temp Valve With Integral Stops			<input type="checkbox"/> NA
K-308-K	Non-Pressure Balancing Valve Without Stops	<input type="checkbox"/> NA		
K-308-KS	Non-Pressure Balancing Valve With Stops		<input type="checkbox"/> NA	

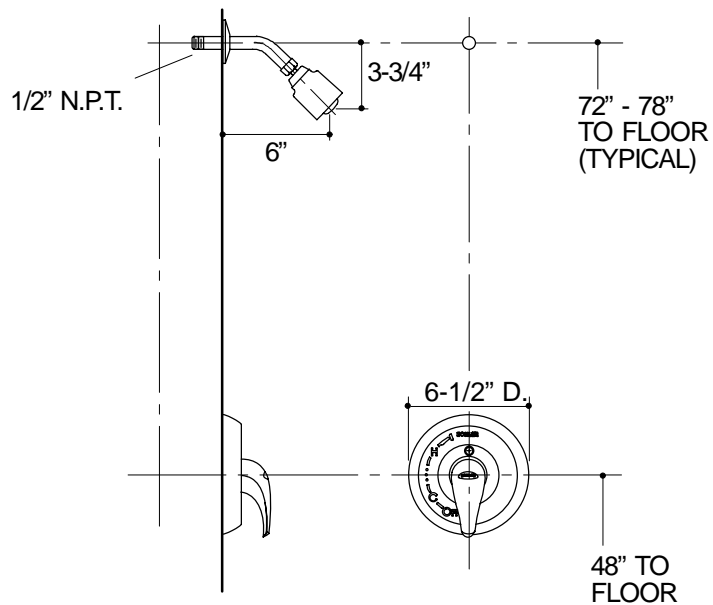
**PRODUCT SPECIFICATION:**  
 Single-control shower faucet trim shall be of metal construction. Product shall include showerhead with arm and flange, and faceplate with lever handle. Faucet trim shall be Kohler Model K-P15611-\_\_\_\_\_-\_\_\_\_\_- and mixing valve shall be Kohler Model K-\_\_\_\_\_-\_\_\_\_\_-NA. Project pack valves are packaged twelve per case.

## INSTALLATION NOTES

Avoid cross-flow conditions. Do not install shut-off device on either valve outlet.

Cap shower outlet if deck-mount spout, diverter, or handshower is connected to spout outlet.

Install straight pipe or tube drop of 7 to 18" with single elbow between valve and wall-mount spout.



332

## PRODUCT DIAGRAM