

**CENTERSET BATHROOM SINK
FAUCET
K-15240**

Features

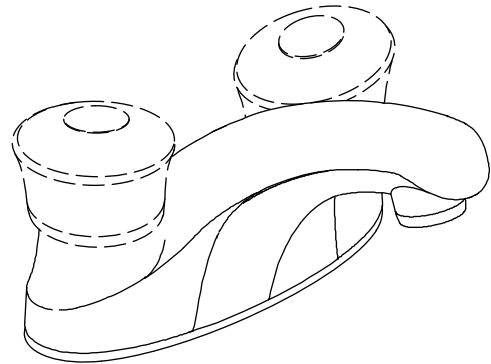
- Metal construction
- Lift rod hole with plug
- For 4" (102 mm) centers
- 4-1/4" (108 mm) spout reach
- Less drain
- Stationary spout
- Lever handles are ADA compliant
- Available with sculpted acrylic handles [-7] or lever handles [-4]
- Complements the Coralais Suite
- 1.5 gallons (5.7 liters) per minute maximum flow rate



Codes/Standards Applicable

Specified model meets or exceeds the following at date of manufacture:



- ADA
- ICC/ANSI A117.1
- ASME A112.18.1/CSA B125.1
- NSF 61
- EPA WaterSense®
- All applicable US Federal and State material regulations



Colors/Finishes

- CP: Polished Chrome
- Other: Refer to Price Book for additional colors/finishes

Specified Model

Model	Description	Lever Handles		Sculptured Acrylic Handles	
		 ADA			
K-15240-4	Centerset bathroom sink faucet – ADA compliant lever handles	<input type="checkbox"/> CP	<input type="checkbox"/> Other ____		
K-15240-7	Centerset bathroom sink faucet – with sculptured acrylic handles (shown)			<input type="checkbox"/> CP	<input type="checkbox"/> Other ____

Optional Accessories		
1160594	Large Spray 0.35 gpm (1.32 lpm) – Insert only	<input type="checkbox"/> NA
_____	Additional flow options are available (refer to the Price Book)	<input type="checkbox"/> NA

PRODUCT SPECIFICATION

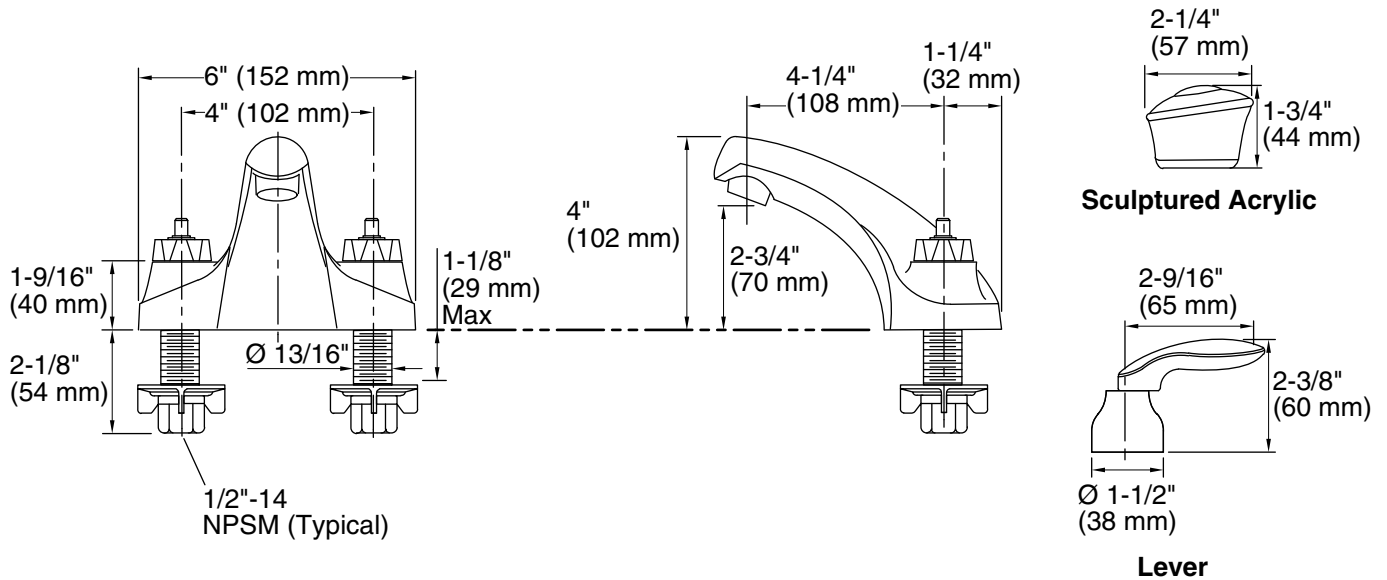
The two-handle centerset bathroom sink faucet shall be of metal construction. Product shall feature a maximum flow rate of 1.5 gallons (5.7 liters) per minute. Product shall be for 4" (102 mm) centers. Product shall feature a 4-1/4" (108 mm) spout reach, stationary spout, and a lift rod hole with plug. Product shall be available with sculpted acrylic handles [-7] or lever handles [-4]. Product shall be less drain. Product shall complement the Coralais Suite. Faucet shall be Kohler Model K-15240-____-____.

CORALAIS®

Installation Notes

Install this product according to the installation guide.

ADA compliant when installed to the specific requirements of these regulations.



Product Diagram