

**BATH & SHOWER TRIM SET  
K-T15201**

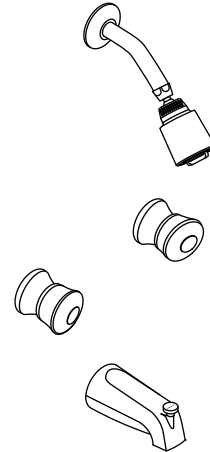
**Features**

- Metal construction
- 4-7/8" (124 mm) diverter spout with NPT or slip-fit connection
- Reversible 1/2" quarter-turn washerless ceramic disc valves
- Lever or acrylic handles
- Includes showerhead, arm, and flange

**Codes/Standards Applicable**

Specified model meets or exceeds the following:

- ASME A112.18.1/CSA B125.1





**Colors/Finishes**

- CP: Polished Chrome
- PB: Vibrant® Polished Brass

**Accessories**

- CP: Polished Chrome
- Other: Refer to Price Book for additional colors/finishes
- NA: None applicable

**Specified Model**

Model	Description				
		<input type="checkbox"/> CP	<input type="checkbox"/> PB	<input type="checkbox"/> CP	<input type="checkbox"/> PB
K-T15201-4	Bath & shower trim set with lever handles and NPT spout	<input type="checkbox"/> CP	<input type="checkbox"/> PB		
K-T15201-4S	Bath & shower trim set with lever handles and slip-fit spout	<input type="checkbox"/> CP			
K-T15201-7	Bath & shower trim set with acrylic handles and NPT spout			<input type="checkbox"/> CP	<input type="checkbox"/> PB
K-T15201-7S	Bath & shower trim set with acrylic handles and slip-fit spout			<input type="checkbox"/> CP	

**Product Specification**

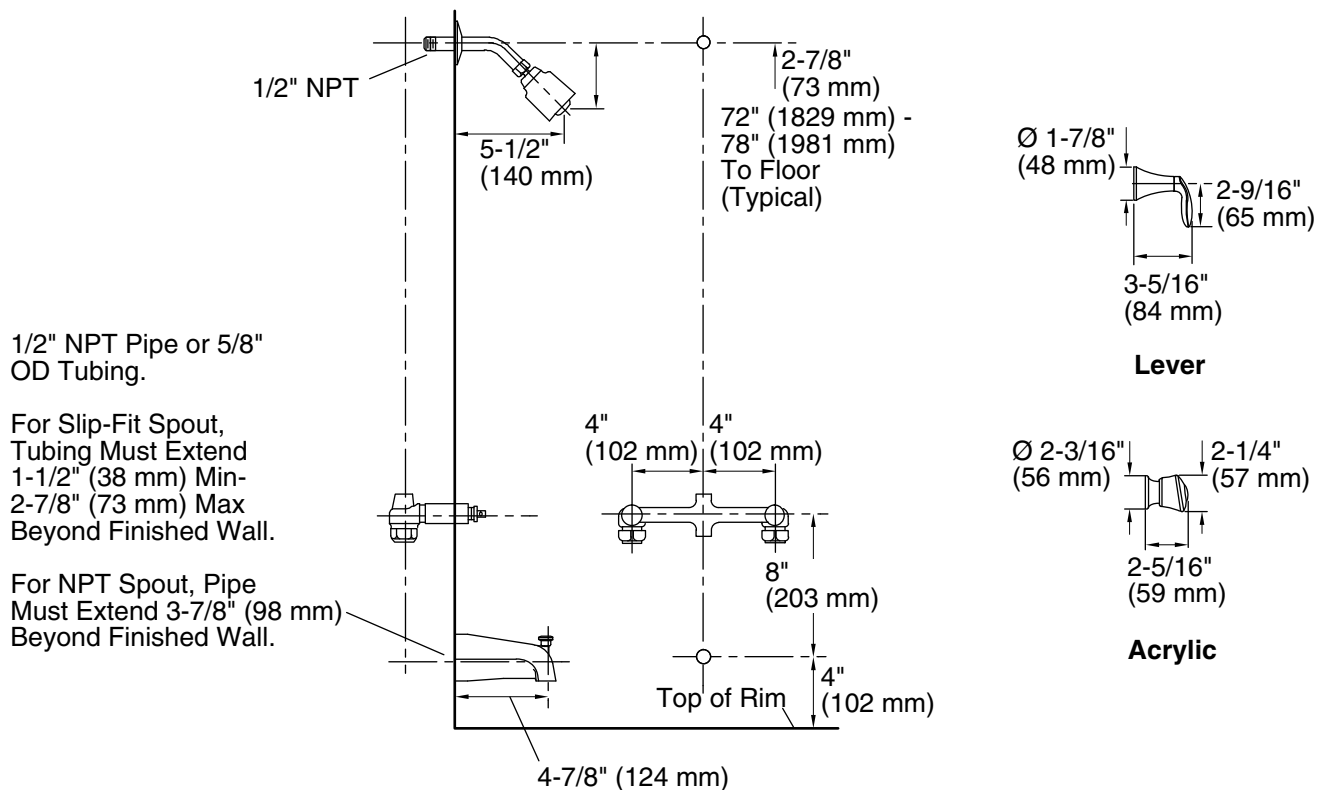
Two-handle bath & shower trim set shall be of metal construction. Trim shall feature reversible 1/2" quarter-turn washerless ceramic disc valves. Product shall include showerhead with arm and flange, 4-7/8" (124 mm) diverter spout with NPT or slip-fit connection, and lever or acrylic handles. Trim shall be Kohler Model K-T15201-\_\_\_\_-\_\_\_\_ and valve system shall be Kohler Model K-302-K-NA.

# CORALAIS®

Required Accessories			
K-302-K	2-handle 1/2" ceramic disc valve system	<input type="checkbox"/> NA	
Optional Accessories			
56373	Deep roughing-in kit for wall-mount and shower faucets. For all handles except bath and shower faucets with stops	<input type="checkbox"/> CP	<input type="checkbox"/> Other ____
56374	Elongated escutcheons for bath and shower faucets with stops	<input type="checkbox"/> CP	<input type="checkbox"/> Other ____

## Installation Notes

Install this product according to the installation guide.



**Product Diagram**