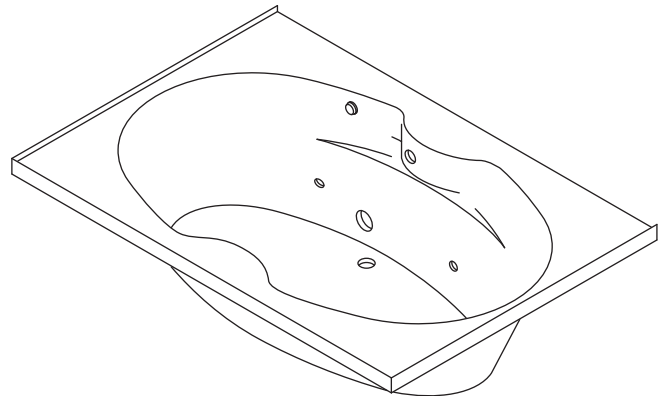


Features

- *ExoCrylic™*
- *Drop-in or three-wall alcove*
- *Six individually adjustable ProFlex® hydro-massage jets*
- *Pump with air switch and grounding-type plug-in cord*
- *In-line heater*
- *Molded lumbar support and armrests for comfort*
- *Optional K-1283 removable apron*
- *Optional K-9696 whirlpool trim kit in additional finishes*
- *72" (1829 mm) x 42" (1067 mm) x 20-1/8" (511 mm)*

WHIRLPOOL BATH WITH HEATER K-1131-H ALSO K-1131-FH



Codes/Standards Applicable

Specified model meets or exceeds the following:

- *ASME A112.19.7/CSA B45.10*
- *CSA B45.5/IAPMO Z124*
- *UL 1795*

Colors/Finishes

- 0: White
- CP: Polished Chrome
- PB: Vibrant® Polished Brass
- Other: Refer to Price Book for additional colors/finishes

Specified Model

Model	Description	Colors/Finishes	
K-1131-H	Whirlpool bath with heater – drop-in	<input type="checkbox"/> 0	<input type="checkbox"/> Other_____
K-1131-FH	Whirlpool bath with heater – tile flange (shown)	<input type="checkbox"/> 0	<input type="checkbox"/> Other_____

Recommended Accessories

K-7213	Clearflo bath cable drain with PVC tubing	<input type="checkbox"/> CP	<input type="checkbox"/> Other_____
K-7214	Clearflo bath cable drain without PVC tubing	<input type="checkbox"/> CP	<input type="checkbox"/> Other_____
K-11677	Adjustable trip lever drain	<input type="checkbox"/> CP	<input type="checkbox"/> PB

Optional Accessories

K-1284	Removable apron	<input type="checkbox"/> 0	<input type="checkbox"/> Other_____
K-9696	Jet trim kit (metal finishes)	<input type="checkbox"/> CP	<input type="checkbox"/> Other_____

Product Specification

The ExoCrylic whirlpool bath shall be 72" (1829 mm) in length, 42" (1067 mm) in width, and 20-1/8" (511 mm) in height. Whirlpool shall be drop-in [K-1131-H] or three-wall alcove [K-1131-FH] installation. Whirlpool shall have six individually adjustable ProFlex hydro-massage jets, pump with air switch and grounding-type plug-in cord, and in-line heater. Whirlpool shall have molded lumbar support and armrests for comfort. Whirlpool shall feature optional K-1283 removable apron and K-9696 whirlpool trim kit in additional finishes. Whirlpool bath shall be Kohler Model K-1131-_____-_____.

PROFLEX® 7242

Technical Information

Fixture*:	
Bathing well:	
Basin area, bottom	53" (1346 mm) x 26" (660 mm)
Basin area, top	65" (1651 mm) x 34" (864 mm)
Weight	75 lbs (34 kg)
To overflow:	
Water depth	15" (381 mm)
Capacity	78 gal (295.3 L)
* Approximate measurements for comparison only.	

Drop-in cutout	70-1/2" (1791 mm) x 40-1/2" (1029 mm)
----------------	---------------------------------------

Pump:		V	Hz	A
1-speed		120	60	7.5
Heater:	kW	V	Hz	A
	1.5	120	60	12.5

Required Electrical Service

Two dedicated circuits required, each protected with Class A Ground-Fault Circuit-Interrupter (GFCI):	
Pump/control	120 V, 15 A, 60 Hz
Heater	120 V, 15 A, 60 Hz
Locate the outlets behind the whirlpool and within 24" (610 mm) of the pump.	

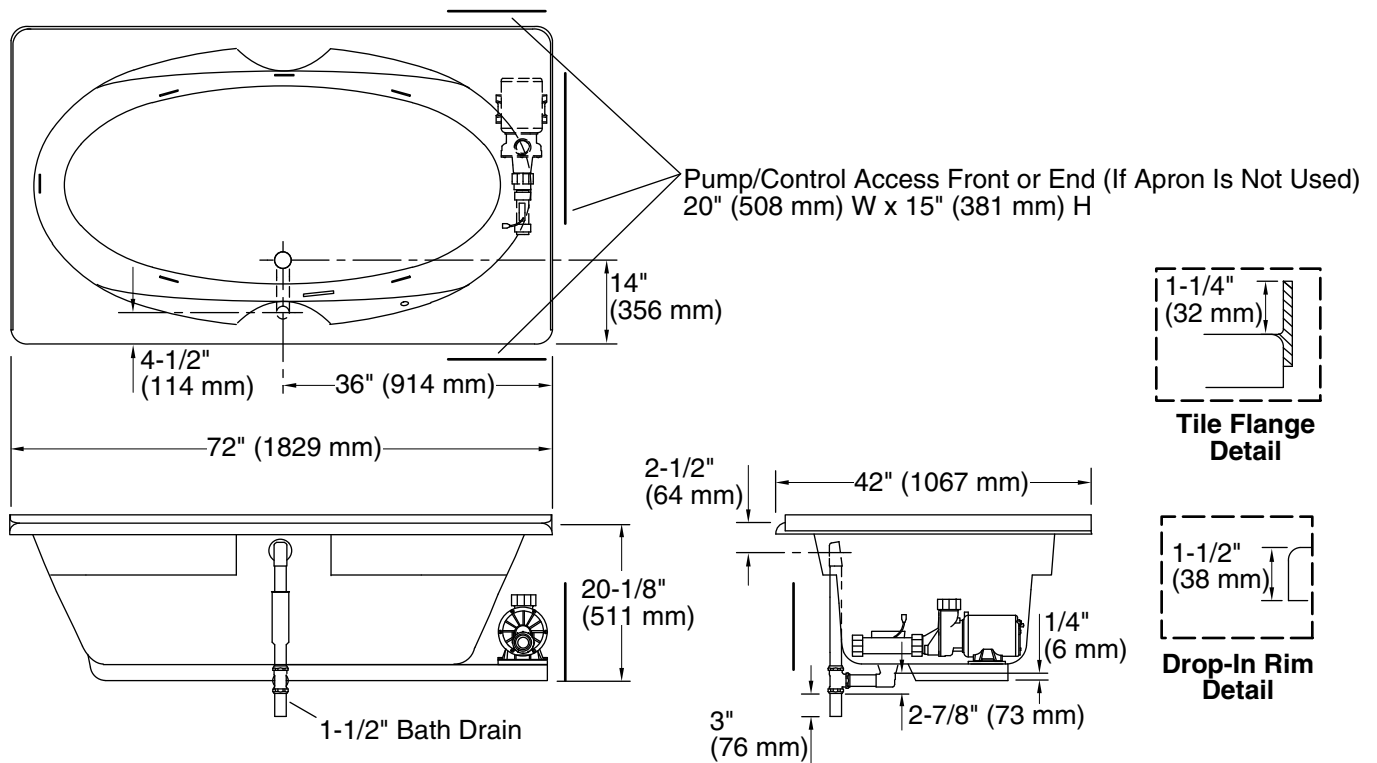
Installation Notes

Install this product according to the installation guide.

Floor support under whirlpool must provide for a minimum of 36 lbs/square foot (175 kg/square meter) loading.

The apron must be installed before the finished floor and wall materials are installed.

No change in measurements if connected with drain illustrated. (K-11677)



Product Diagram