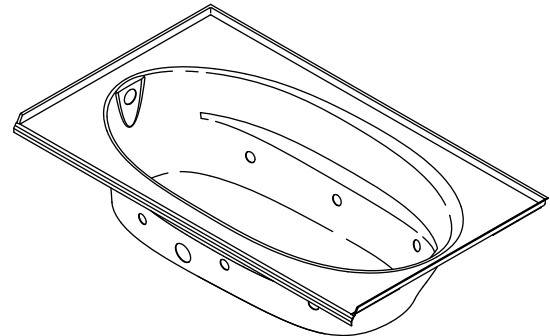


Features

- Acrylic
- Rectangular shape
- Drop-in, 3-side integral flange
- Pump with air switch and grounding-type plug-in cord
- 6 individually adjustable ProFlex® hydro-massage jets
- Molded lumbar supports and armrests
- 72" (1829 mm) x 42" (1067 mm) x 21" (533 mm)

BATH WHIRLPOOL WITH INTEGRAL FLANGE

K-1114-L
ALSO K-1114-R



Codes/Standards Applicable

Specified model meets or exceeds the following:

- CSA B45.5/IAPMO Z124
- ASME A112.19.7
- ASTM E162
- ASTM E662
- UL 1795

Colors/Finishes

- 0: White
- Other: Refer to Price Book for additional colors/finishes

Accessories

- CP: Polished Chrome
- Other: Refer to Price Book for additional colors/finishes

Specified Model

Model	Description	Colors/Finishes	
K-1114-L	Bath whirlpool with integral flange – left drain	<input type="checkbox"/> 0	<input type="checkbox"/> Other_____
K-1114-R	Bath whirlpool with integral flange – right drain	<input type="checkbox"/> 0	<input type="checkbox"/> Other_____

Recommended Accessories

K-7166	Adjustable pop-up drain – above or through-the-floor installation OR	<input type="checkbox"/> CP	<input type="checkbox"/> Other_____
K-11677	Adjustable trip lever drain – through-the-floor installation	<input type="checkbox"/> CP	<input type="checkbox"/> Other_____

Optional Accessories

K-9696	Jet trim kit (metal finishes)	<input type="checkbox"/> CP	<input type="checkbox"/> Other_____
--------	-------------------------------	-----------------------------	-------------------------------------

Product Specification

The rectangular acrylic bath whirlpool shall be 72" (1829 mm) in length, 42" (1067 mm) in width, and 21" (533 mm) in height. Product shall be drop-in, 3-side integral flange. Product shall have 6 individually adjustable Proflex hydro-massage jets and a pump with air switch and grounding-type plug-in cord. Product shall have molded lumbar supports and armrests. Bath whirlpool shall be Kohler Model K-1114-____-____.

WINDWARD®

Technical Information

Fixture*:			
Bathing well:			
Basin area, bottom	55" (1397 mm) x 23-1/4" (591 mm)		
Basin area, top	64" (1626 mm) x 32" (813 mm)		
Weight	132 lbs (60 kg)		
To overflow:			
Water depth	15" (381 mm)		
Capacity	78.5 gal (297 L)		
* Approximate measurements for comparison only.			
Drop-in cut-out dimensions: 70-1/2" (1791 mm) x 40-1/2" (1029 mm)			
Pump:	V	Hz	A
1-speed	120	60	7.5
Minimum access panel pump/control:			
20" (508 mm) W x 15" (381 mm) H	required		

Required Electrical Service

Dedicated circuit required, protected with a Class A Ground-Fault Circuit-Interrupter (GFCI):	
Pump/control	120 V, 15 A, 60 Hz
Locate the outlet behind the whirlpool and within 24" (610 mm) of the pump.	

Installation Notes

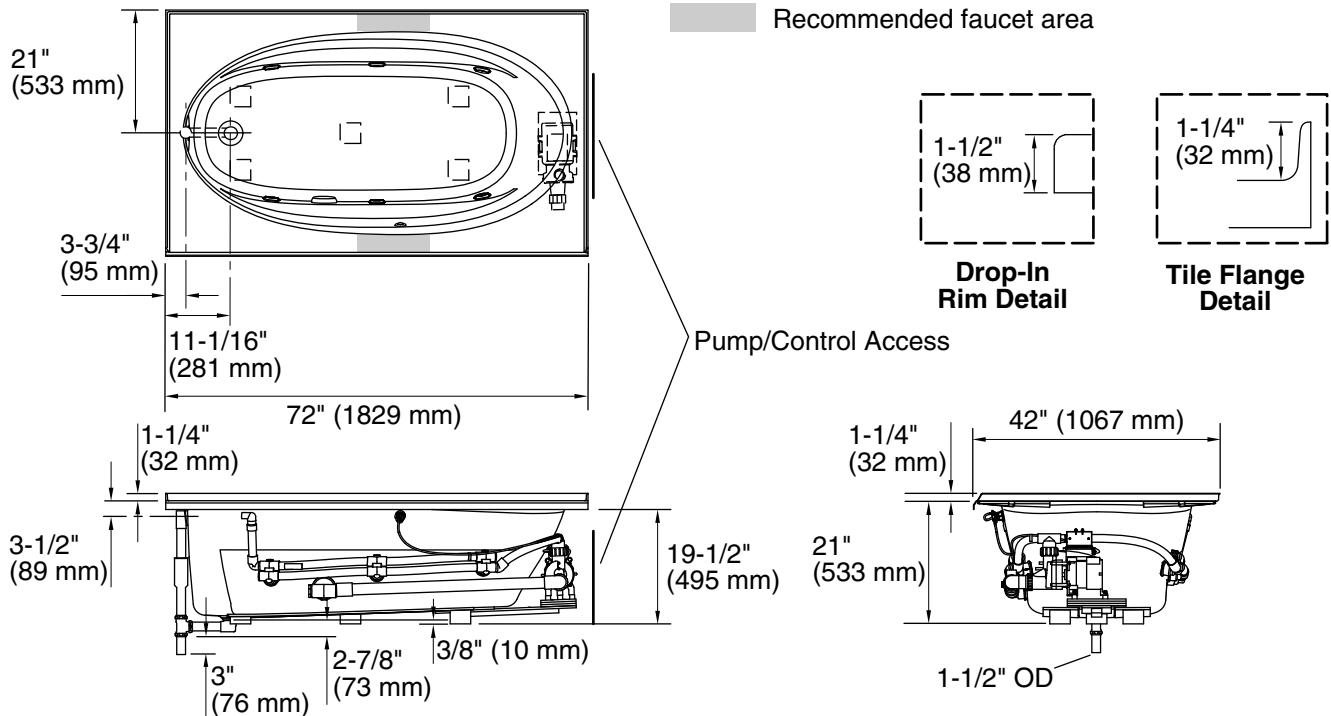
Install this product according to the installation guide.

Floor support under the whirlpool must provide for a minimum of 39 lbs/square foot (189 kg/square meter) loading.

If installing a rim-mount faucet, make sure there is no interference with the drain overflow and circulating system before drilling any holes. Consult local and national codes for minimum air gap requirements if installing a spout on the faucet deck.

No change in measurements if connected with drain illustrated. (K-11677)

■ Recommended faucet area



Product Diagram