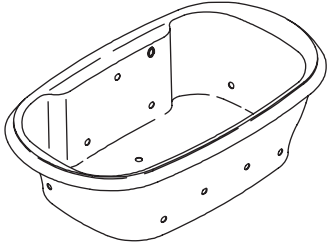


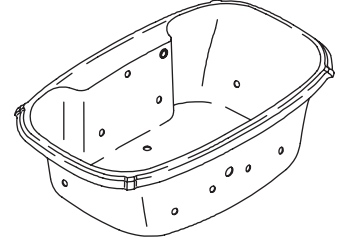
Homeowners Guide

Bath Whirlpool

K-1375-LV, K-1375-RV



K-1457-LV, K-1457-RV



Write model number here:

Écrire le numéro du modèle ici:

Escriba el número de modelo aquí: _____

M product numbers are for Mexico (i.e. K-12345**M**)

Los números de productos seguidos de **M** corresponden a México

(Ej. K-12345**M**)

Français, page "Français-1"

Español, página "Español-1"

THE BOLD LOOK
OF **KOHLER**

Important Information

INSTRUCTIONS PERTAINING TO A RISK OF FIRE, ELECTRICAL SHOCK, OR INJURY TO PERSONS

READ AND FOLLOW ALL INSTRUCTIONS

SAVE THESE INSTRUCTIONS



WARNING: When using electrical products, basic precautions should always be followed, including the following:



DANGER: Risk of personal injury. To reduce the risk of injury, do not permit children to use this unit unless they are closely supervised at all times.



WARNING: Risk of personal injury. To avoid injury, exercise care when entering or exiting the whirlpool.



WARNING: Risk of electric shock. Do not permit electric appliances (such as a hair dryer, lamp, telephone, radio, or television) within 5' (1.5 m) of this whirlpool.



WARNING: The use of alcohol, drugs, or medication can greatly increase the risk of fatal hyperthermia. Prolonged immersion in hot water may induce hyperthermia. Hyperthermia occurs when the internal temperature of the body reaches a level several degrees above the normal body temperature of 98.6°F (37°C). The symptoms of hyperthermia include an increase in the internal temperature of the body, dizziness, lethargy, drowsiness, and fainting. The effects of hyperthermia include: (a) failure to perceive heat, (b) failure to recognize the need to exit the bath, (c) unawareness of impending hazard, (d) fetal damage in pregnant women, (e) physical inability to exit the bath, and (f) unconsciousness resulting in the danger of drowning.



WARNING: Risk of hyperthermia. People using medications and/or having an adverse medical history should consult a physician before using a whirlpool equipped with a heater.



WARNING: Risk of scalding. Do not allow the water temperature in the whirlpool to exceed 104°F (40°C).

The heater will automatically maintain the water temperature when the whirlpool is running, as long as the water temperature does not exceed 104°F (40°C). The heater will disengage at higher temperatures.

An equipment grounding terminal is provided in the field wiring compartment. To reduce the risk of electric shock, this terminal must be connected to the grounding means provided in the electric supply panel with a conductor equivalent in size to the circuit conductors supplying this whirlpool.

A pressure wire connector is provided on the exterior of the pump or control within this unit to permit connection of a bonding conductor between this unit and all other exposed metal in the vicinity, as needed to comply with local requirements.

Use this whirlpool only for its intended purpose as described in this guide. Do not use attachments not recommended by the manufacturer.

Never drop or insert any object into any opening. Keep small objects such as bath toys and bathing accessories out of the whirlpool while the unit is running.

Do not operate this unit without the guard (cover) over the suction fitting.

The whirlpool must be connected only to a supply circuit that is protected by a Ground-Fault Circuit-Interrupter (GFCI) or Residual Current Device (RCD). Such a GFCI or RCD should be provided by the installer and should be tested on a routine basis. To test the GFCI or RCD, press the test button. The GFCI or RCD should interrupt power. Press the reset button. Power should be restored. If the GFCI or RCD fails to operate in this manner, the GFCI or RCD is defective. If the GFCI or RCD interrupts power to the bath without the test button being pressed, a ground current is flowing, indicating the possibility of an

Important Information (cont.)

electric shock. Do not use this whirlpool bath. Disconnect the whirlpool and have the problem corrected by a qualified service representative before using.

Flush your whirlpool system twice a month or more depending upon usage, as described in the "Flush System" section of this guide.

Repeated use of personal care products containing oils can damage plastic whirlpool components. Do not use heavy, vegetable-based shampoos or bath oils.

Whirlpool hydro-massage action can cause even a small amount of bubble bath, bath soap, shampoo, or bath oil to foam excessively. For this reason, please don't use these products during whirlpool operation.

FCC Compliance

FCC ID : N82-KOHLER001

Canada ID : 4554A-KOHLER001

Compliance Statement (Part 15.19)

This device complies with Part 15 of the FCC Rules and with RSS-210 of Industry Canada. Operation is subject to the following two conditions:

1. This device may not cause harmful interference, and
2. This device must accept any interference received, including interference that may cause undesired operation.

Warning (Part 15.21)

Changes or modifications not expressly approved by the party responsible for compliance could void the users' authority to operate the equipment.

Table of Contents

Important Information	2
FCC Compliance	3
Thank You For Choosing Kohler Company	3
Your Kohler Whirlpool	4
Lighted User Keypad	5
Operation	6
Remote Control	8
Care and Cleaning	9
Flush System	9
Warranty	9
Warranty	9
Service the Effervescent Ports	11
Troubleshooting	12
Service Parts	16

Thank You For Choosing Kohler Company

Thank you for choosing Kohler Co. Your Kohler Co. product reflects the true passion for design, craftsmanship, artistry, and innovation Kohler Co. stands for. We are confident its dependability and beauty will surpass your highest expectations, satisfying you for years to come.

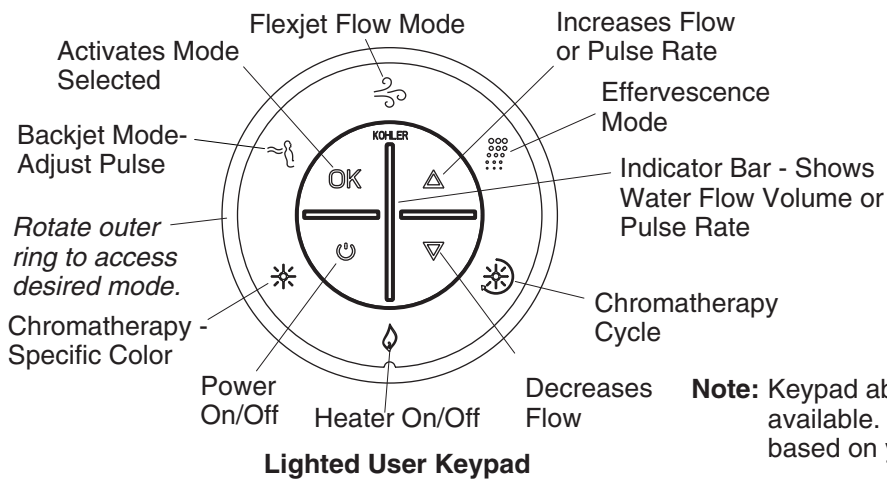
All information in this guide is based upon the latest product information available at the time of publication. At Kohler Co. we strive to fulfill our mission of improving the level of gracious living for each person who is touched by our products and services. We reserve the right to make changes in product characteristics, packaging, or availability at any time without notice.

Please take a few minutes to review this guide. Pay special attention to the care and cleaning instructions.

Your Kohler Whirlpool

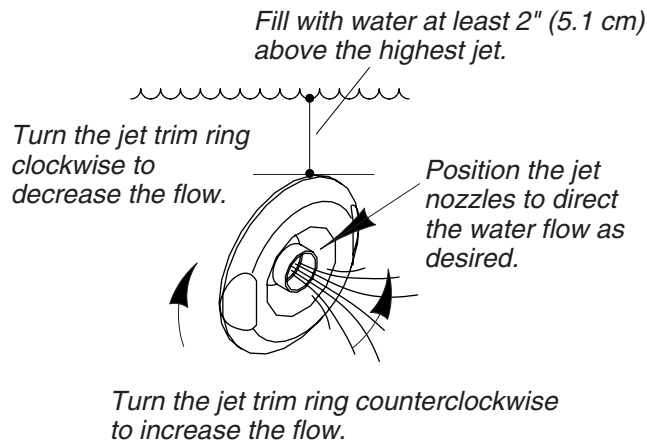
Your new whirlpool is designed to stimulate, invigorate, and energize your body with comforting hydro-massage therapy. The whirlpool consists of the following components:

- **Lighted User Keypad** - Located within easy reach, allows you to turn the whirlpool on and off. It also allows you to access all the whirlpool modes and regulate the water flow or pulse speed.
- **Remote Control** - Places the whirlpool functions at your fingertips to further enhance your bathing experience. The functions of the remote control are identical to the lighted user keypad.
- **Pump Motor** - Provides quiet, variable speed power to circulate the water.
- **Adjustable Jets** - Positioned to optimize their hydro-massage effect, the jets allow you to adjust the air and water flow and control the flow direction as you desire.
- **Heater** - Automatically helps maintain a 104°F (40°C) water temperature, turns on when the whirlpool is operating, and turns off when the pump motor is turned off. Using the lighted user keypad, the heater may be turned off at any time while the pump is operating.
- **Effervescence** - Eight effervescent ports emit thousands of champagne-like bubbles which provides a relaxing, soothing experience.
- **Chromatherapy** - Promotes relaxation and delivers a full spectrum of color. Chromatherapy may be used with all modes of operation, even when the pump is not operating.
- **Neckjets and Pillow** - Controlled through the user keypad, the neckjets deliver massaging water to the back of your neck. The pillow provides a comfortable place to rest your head as you relax. To prevent water spills, a built-in switch stops the neckjet action if the pillow is removed during operation.
- **Backjets** - Controlled through the user keypad, the backjets deliver massaging water to your back. The backjets pulse from the bottom of the whirlpool toward the top, with water flow and pulse action occurring from two backjets at a time.



Lighted User Keypad

Power Icon	Turns the whirlpool pump on and off. Icons illuminated in blue indicate available modes/features. Modes which are operating will be illuminated in green.
Chromatherapy Specific Color	Rotate the outer ring to select this mode. Press OK, press the up or down arrow to select a color, then press OK again. Only one of the two keypads controls this mode.
Outer Ring	Rotate the outer ring to the desired mode. The selected mode will flash blue.
Backjet Mode	Rotate the outer ring to select this mode. Press OK, then press the up or down arrow to increase or decrease the pulsing action. Rotate the outer ring to the Flexjet mode, press OK to activate the mode, then press the up or down arrow on the keypad to increase or decrease water flow to the backjets and all other active modes.
OK	Activates the desired mode.
Flexjet Flow Mode	Rotate the outer ring to select this mode. Press OK, then press the up or down arrow to increase or decrease the jet water flow.
Up Arrow	Increases the water flow when the Flexjet flow mode is active. Increases the pulse speed when the neckjet or backjet mode is active.
Effervescence Mode	Rotate the outer ring to select this mode, then press OK. The effervescence action will start at the water flow volume last set in the Flexjet flow mode. Press the up or down arrow to increase or decrease the water flow. Press OK while the effervescence mode is flashing to turn off the effervescence ports.
Indicator Bar	Displays the water flow volume in the Flexjet flow mode. Displays the pulse speed in the neckjet or backjet mode.
Chromatherapy Cycle	Rotate the outer ring to select this mode, then press OK. The chromatherapy lights will automatically and continuously cycle through eight colors. One cycle through all eight colors takes approximately one minute. Only one of the two keypads controls this mode.
Neckjet Mode	Rotate the outer ring to select this mode. Press OK, then press the up or down arrow to increase or decrease the pulsing action. Rotate the outer ring to the Flexjet mode, press OK to activate the mode, then press the up or down arrow on the keypad to increase or decrease water flow to the backjets and all other active modes.
Down Arrow	Decreases the water flow when the Flexjet flow mode is active. Decreases the pulse speed when the neckjet or backjet mode is active.
Heater	Automatically engages when the power icon is selected. Rotate the outer ring until the heater mode is flashing, then press OK to turn the heater off. Press OK again to turn the heater back on.



Operation

NOTE: If the whirlpool is not operating properly, consult the "Troubleshooting" section of this guide before calling a qualified service representative.

Whirlpool

- Turn the jet trim fully counterclockwise. Position the jet nozzles so they face down toward the basin.

NOTICE: Do not allow the water temperature in the whirlpool to exceed 104°F (40°C). The heater will automatically maintain the water temperature when the whirlpool is running, as long as the water temperature does not exceed 104°F (40°C). The heater will disengage at higher temperatures.

- Press the power icon to turn on the whirlpool pump and heater. Water will flow at medium volume.
- Press the up or down arrow icons to increase or decrease the water flow. The indicator bar will display the water flow volume.
- Adjust the jets for optimum air/water mixture. Turn the jet trim clockwise to reduce the flow or counterclockwise to increase the flow. If desired, position the jet nozzles to direct the water flow to maximize your hydro-massage experience.
- If desired, turn the heater off by pressing the heater icon. Press the button a second time to turn the heater back on.
- Press the power icon a second time to turn off the whirlpool pump and heater.

NOTE: The pump and heater will automatically stop after approximately 20 minutes of continuous operation. If desired, press the power icon to reactivate the pump and heater.

- Carefully exit the bath, then open the drain to empty the whirlpool.

Effervescence

- Rotate the outer ring until the effervescence icon is flashing, then press OK to activate the effervescence ports. The water flow volume will remain as previously set. Press OK while the effervescence mode is flashing to turn off the effervescence ports.

Chromatherapy

NOTE: The chromatherapy modes may be used with all modes of operation, even when the pump is not operating.

- Rotate the outer ring to select the chromatherapy mode, then press OK to activate the chromatherapy lights. Press OK while the chromatherapy mode is active to turn off the chromatherapy lights.

Operation (cont.)

- Rotate the outer ring to select chromatherapy specific color selection, then press OK. Use the up or down arrow to reach the desired color. Press OK while the chromatherapy specific color selection is active to turn off the chromatherapy lights.

Neckjets

NOTE: Before activating the neckjets, make sure the slip cover is in place on the pillow and the pillow is attached to the neckjet body. If the pillow is not properly installed the neckjets will stop. The neckjet icon and indicator bar on the user keypad will flash. The neckjets will automatically restart when the pillow is properly installed.

- Rotate the outer ring to select the neckjet mode, then press OK to activate the neckjets. The neckjet pulsing action will start at medium speed. Press the up or down arrow to adjust the pulsing action.
- Rotate the outer ring until the flow mode is flashing, then press OK. Press the up or down arrow to adjust the water flow volume of the neckjets.
- Press OK while the neckjet mode is active, to turn off the neckjets.

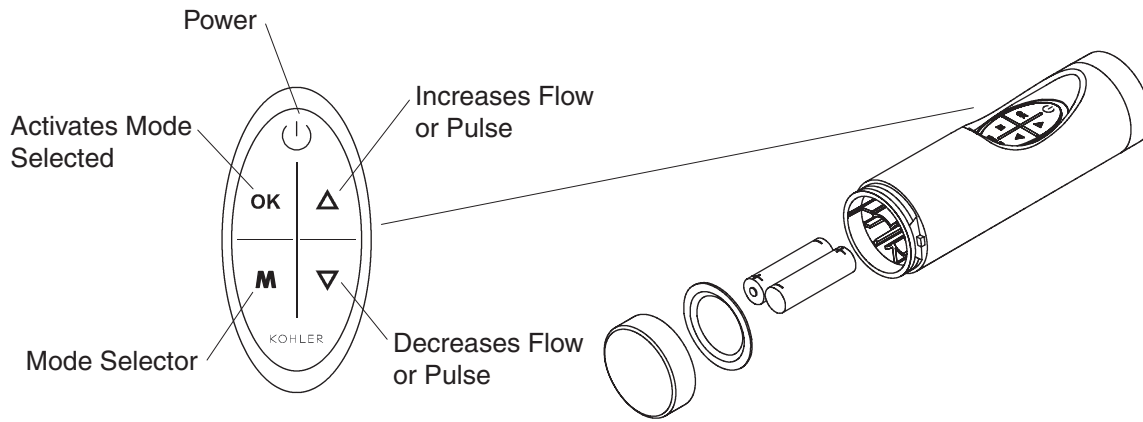
NOTE: To activate or deactivate functions while the neckjets are operating, rotate the outer ring until the desired function is flashing and press "OK."

Backjets

- Rotate the outer ring until the backjet icon is flashing and press OK. The backjet pulsing action will start at medium speed. The backjets pulse from the bottom of the whirlpool toward the top, with water flow and pulse action occurring from two backjets at a time.

NOTE: If the water level falls below the water level sensors, the backjets will stop. The backjet icon and indicator bar on the user keypad will flash. The backjets will automatically restart when the water level covers the sensors.

- To increase or decrease the backjet pulsing action, press either the up or down arrow buttons on the keypad, while the backjet mode is active.
- To increase or decrease the flow volume to the backjets, rotate the outer ring to the Flexjet mode, press OK to activate the mode, and press either the up or down arrows on the keypad. This also increases or decreases the flow to all modes.
- Press OK while the backjet mode is active, to turn off the backjets.



Remote Control

Operate

The remote control, which functions are identical to the user keypad, places the whirlpool functions at your fingertips to further enhance your bathing experience. The remote control is waterproof, so it may be used in the bath and will float in the water.

Power	Turn the whirlpool or heater on and off.
Mode Selector	Functions in the same way as the outer ring on the user keypad. When pressed, one of the modes will flash on the user keypad. When pressed again, the next mode in clockwise order will flash. When the desired mode is flashing, press "OK" to activate it.
OK	Activates the desired mode.
Up Arrow	Increases the water flow or pulse.
Down Arrow	Decreases the water flow or pulse.

Program

NOTE: Programming of the remote control is normally not required. However, programming the remote control to the user keypad may be necessary if: (1) more than one device in or near the vicinity of your home uses a remote control or (2) you replace your remote control or pump control.

- Turn the whirlpool power on.
- Turn off all modes of operation. Wait approximately one minute until the keypad darkens completely (sleep mode).
- On the user keypad, press the up arrow, down arrow, and the "OK" button simultaneously. The bottom LED on the user keypad indicator bar will begin flashing.
- While the bottom LED is flashing, press the "OK" button on the user keypad. A light sequence will illuminate up and down the indicator bar.
- While the light sequence is active, press any button on the remote control. The program will download and the user keypad will darken. The user keypad will now respond only to this remote control.

Batteries

- Unscrew the end cap of the remote control, as shown.
- Insert two AAA batteries.
- Securely tighten the end cap, making sure the end cap contacts the seal.

Care and Cleaning

For best results, keep the following in mind when caring for your KOHLER product:

- Always test your cleaning solution on an inconspicuous area before applying to the entire surface.
- Wipe surfaces clean and rinse completely with water immediately after applying cleaner. Rinse and dry any overspray that lands on nearby surfaces.
- Do not allow cleaners to soak on surfaces.
- Use a soft, dampened sponge or cloth. Never use an abrasive material such as a brush or scouring pad to clean surfaces.

For detailed cleaning information and products to consider, visit www.kohler.com/clean. To order Care & Cleaning information, call 1-800-456-4537.

Flush System

NOTE: Flush your whirlpool system twice a month or more, depending upon usage.

- Turn the jet trim rings fully clockwise to remove air induction.
- Fill the whirlpool with warm water to a level at least 2" (5.1 cm) above the highest jets, or leave water in the whirlpool after using.
- Add 2 teaspoons (10 ml) of a low-foaming, powder automatic dishwasher detergent and 20 ounces (590 ml) of household bleach (5% - 6% sodium hypochlorite) to the water.
- Run the whirlpool for 5 to 10 minutes. Turn off the whirlpool and drain.
- If desired, rinse the bath surfaces with water.
- Rinse the surfaces of the jets, faucet, handrails, and drain, and wipe them dry with a soft cloth.

Warranty

ONE-YEAR LIMITED WARRANTY

KOHLER plumbing products are warranted to be free of defects in material and workmanship for one year from date of installation.

Kohler Co. will, at its election, repair, replace or make appropriate adjustment where Kohler Co. inspection discloses any such defects occurring in normal usage within one (1) year after installation. Kohler Co. is not responsible for removal or installation costs. **Use of in-tank toilet cleaners will void the warranty.**

To obtain warranty service contact Kohler Co. either through your Dealer, Plumbing Contractor, Home Center or E-tailer, or by writing Kohler Co., Attn.: Customer Care Center, 444 Highland Drive, Kohler, WI 53044, USA, or by calling 1-800-4-KOHLER (1-800-456-4537) from within the USA and Canada, and 001-800-456-4537 from within Mexico, or visit www.kohler.com within the USA, www.ca.kohler.com from within Canada, or www.mx.kohler.com in Mexico.

IMPLIED WARRANTIES INCLUDING THAT OF MERCHANTABILITY AND FITNESS FOR A PARTICULAR PURPOSE ARE EXPRESSLY LIMITED IN DURATION TO THE DURATION OF THIS WARRANTY. KOHLER CO. AND/OR SELLER DISCLAIM ANY LIABILITY FOR SPECIAL, INCIDENTAL OR CONSEQUENTIAL DAMAGES. Some states/provinces do not allow limitations on how long an implied warranty lasts, or the exclusion or limitation of special, incidental or consequential damages, so these limitations and exclusions may not apply to you. This warranty gives you specific legal rights. You may also have other rights which vary from state/province to state/province.

This is Kohler Co.'s exclusive written warranty.

Warranty

KOHLER CO.

It is recommended that at the time of purchase, you verify that all accessories and components are complete in this package.

Warranty (cont.)

This Kohler product is warranted to be free of defects in material and workmanship for one (1) year from the date of purchase as shown on the invoice or receipt.

1. Kohler Co. will only service its commercialized products through its authorized distributors.
2. To obtain warranty service, please present the invoice and corresponding warranty.
3. Through its authorized distributors, Kohler Co. promises to repair the defective product or provide a new replacement or an equivalent model (in those cases that the model has been discontinued) when the product is beyond repair, without any charge to the consumer.
4. The time of repair will not exceed six (6) weeks commencing on the date the product is received.
5. It is recommended that the consumer save the invoice or receipt as additional protection, as it may substitute the warranty in the case that there is a discrepancy in the validity of the warranty.

EXCEPTIONS AND RESTRICTIONS

The Warranty will not be valid in the following cases:

1. When the product is not operated in accordance with the instructions concerning use and operation set forth in the owner's manual or installation instructions, and when the recommendations and warnings included are not observed.
2. When the product has been modified or dismantled partially or totally; or has been used in a negligent fashion and as a consequence has suffered damages attributable to the consumer, individual, or hardware not authorized by Kohler Co.
3. This warranty does not cover the damages as a result of disaster such as fire or acts of God, including flooding, earthquake, or electric storms, etc. To obtain a list of distributors in your area where you can exercise your rights under this warranty, please call 001-800-456-4537.

KOHLER CO., KOHLER, WI 53044 U.S.A.

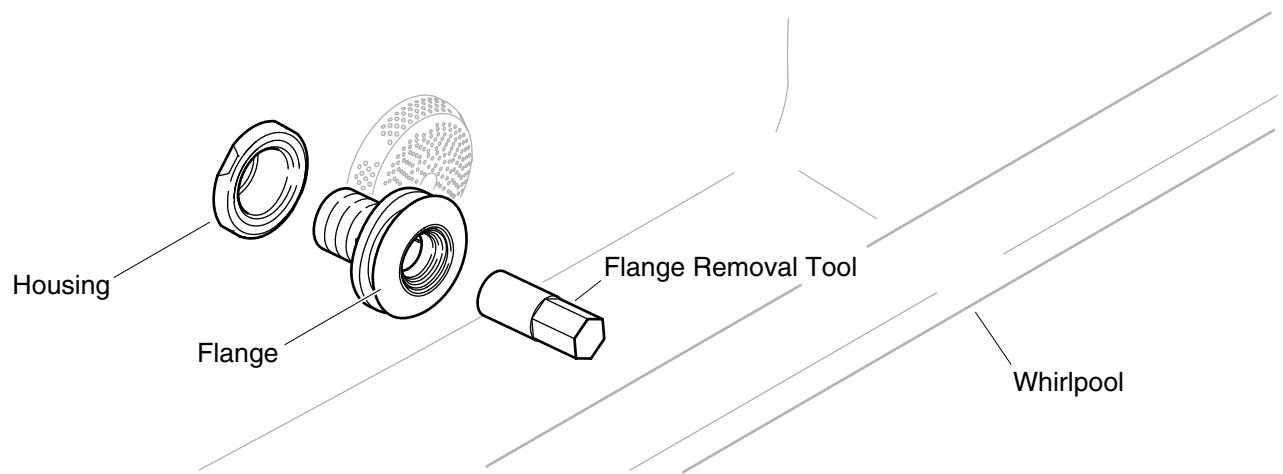
IMPORTER:

INTERNACIONAL DE CERÁMICA, S.A.B. DE C.V.

AV. CARLOS PACHECO NO. 7200

CHIHUAHUA, CHIH., MEXICO C.P. 31060

TEL: 52 (14) 29-11-11



Service the Effervescent Ports

NOTICE: This section is for general aid only. A Kohler Authorized Service Representative or qualified electrician should correct any electrical problems. For warranty service, contact your dealer or wholesale distributor.

Remove the Port

- Insert the flange removal tool (provided) into the opening of the port.
- Place your thumb against the whirlpool wall while firmly grasping the flange removal tool.
- Pull the flange removal tool until the flange pulls free from the housing.

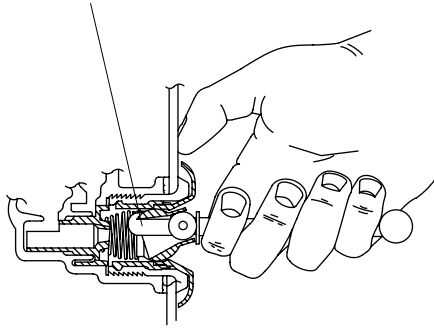
Reinstall the Port

NOTE: Do not use force when reinstalling the port.

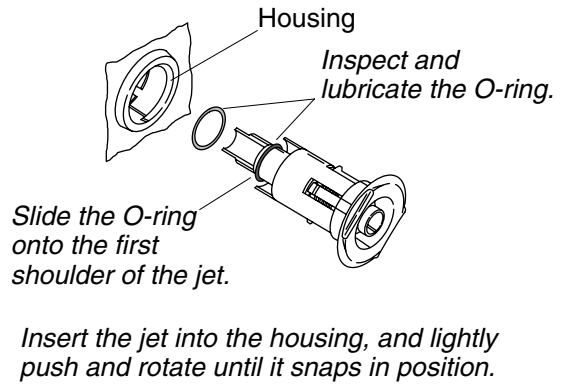
- Carefully insert the flange into the housing, then lightly push and rotate the flange until it snaps into position.
- Verify the port is installed correctly. Remove and reinstall, if necessary.

Remove the Jets

Insert the tool hook as shown and pull the jet out of the housing. The jet should be facing up when this is done.



Reinstall the Jets



Troubleshooting

NOTICE: This section is for general aid only. A Kohler Authorized Service Representative or qualified electrician should correct any electrical problems. For warranty service, contact your dealer or wholesale distributor.

Remove the Jets

- Position the ball nozzle of the jet facing up. This will ensure the jet tool will not slip off.
- Position the jet tool (provided) with the hook facing up.
- Insert the jet tool into the opening of the jet and hook the inside top of the nozzle.
- Place your thumb against the whirlpool wall while firmly grasping the jet tool.
- Steadily pull the jet tool until the jet assembly pulls free from the housing. Be careful not to lose the O-ring.

Reinstall the Jets

NOTE: To allow easy rotation and proper operation of the jet, the O-ring must be: (1) correctly positioned, (2) lubricated, and (3) in good condition.

- Install the O-ring onto the **first shoulder** of the jet.
- Using the silicone lube packet (provided), lubricate the O-ring to prevent noisy operation of the jet.
- Carefully insert the jet into the housing, then lightly push and rotate the jet until it snaps into position. **Do not force the jet.**
- Verify the jet is installed correctly. The jet should turn smoothly both clockwise and counterclockwise. Remove and reinstall, if necessary.

Troubleshooting Table

User Keypad and Pump

Symptoms	Probable Causes	Recommended Action
1. User keypad does not illuminate when power button is pressed or outer ring is rotated.	<p>A. No power to control.</p> <p>B. GFCI or RCD tripped.</p> <p>C. Wiring harness from user keypad to control is loose, disconnected or damaged.</p> <p>D. User keypad does not work.</p> <p>E. Control does not work.</p>	<p>A. Check wiring and connect power.</p> <p>B. Reset GFCI or RCD.</p> <p>C. Check wiring for proper connections. Replace wiring harness if necessary.</p> <p>D. Replace user keypad.</p> <p>E. Replace control.</p>

Troubleshooting (cont.)

User Keypad and Pump

Symptoms	Probable Causes	Recommended Action
2. Motor starts, but all jets are not functioning.	<p>A. Jet is closed.</p> <p>B. Jet not installed correctly.</p> <p>C. Jets are blocked.</p>	<p>A. Rotate jet trim counterclockwise to open.</p> <p>B. Reinstall jet; check for O-ring damage.</p> <p>C. Remove blockage.</p>
3. User keypad is illuminated, but does not respond to buttons or outer ring.	<p>A. Control program is locked.</p> <p>B. Wiring harness from user keypad to control is loose, disconnected or damaged.</p> <p>C. User keypad does not work.</p> <p>D. Control does not work.</p>	<p>A. Reset GFCI or RCD.</p> <p>B. Check wiring for proper connections. Replace wiring harness if necessary.</p> <p>C. Replace user keypad.</p> <p>D. Replace control.</p>
4. User keypad indicator bar keeps scanning at power-up.	<p>A. Control program is locked.</p> <p>B. Wiring harness from user keypad to control is loose, disconnected or damaged.</p> <p>C. User keypad does not work.</p> <p>D. Control does not work.</p>	<p>A. Reset GFCI or RCD.</p> <p>B. Check wiring for proper connections. Replace wiring harness if necessary.</p> <p>C. Replace user keypad.</p> <p>D. Replace control.</p>
5. User keypad is illuminated, but pump will not start.	<p>A. Power cord from pump to control is loose, disconnected or damaged.</p> <p>B. Pump does not work.</p> <p>C. Control does not work.</p>	<p>A. Check wiring for proper connections.</p> <p>B. Replace pump.</p> <p>C. Replace control.</p>
6. Motor runs but pump will not prime (cavitates).	<p>A. Pump is shimmed too high.</p> <p>B. Small air leak at pump inlet.</p> <p>C. Motor/pump does not work.</p> <p>D. Control does not work.</p>	<p>A. Lower pump/control to subfloor level.</p> <p>B. Securely tighten nut(s) on intake side of pump.</p> <p>C. Replace motor/pump.</p> <p>D. Replace control.</p>
7. Pump stops before 18 minutes.	<p>A. GFCI or RCD tripped.</p> <p>B. Suction is blocked.</p> <p>C. Jets are blocked.</p> <p>D. Motor overheated and protection device activated.</p>	<p>A. Identify source of fault, and correct. Reset GFCI or RCD.</p> <p>B. Remove obstruction.</p> <p>C. Remove blockage.</p> <p>D. Check for blockage at suction and/or jets. Remove blockage and allow motor to cool.</p>
8. Pump does not automatically stop after 22 minutes.	<p>A. 20-minute timer inadvertently disabled.</p>	<p>A. See service manual.</p>
9. Pump will not turn off when the power button on user keypad is pressed.	<p>A. User keypad does not work.</p> <p>B. Control does not work.</p>	<p>A. Replace user keypad.</p> <p>B. Replace control.</p>
10. Pump operates but variable speed feature does not work.	<p>A. Motor/pump does not work.</p> <p>B. Control does not work.</p>	<p>A. Replace motor/pump.</p> <p>B. Replace control.</p>
11. Bath water cools while pump is operating.	<p>A. Water temperature above 104°F (40°C).</p> <p>B. Heater is turned off on user keypad.</p> <p>C. Wiring from heater to control is loose, disconnected or damaged.</p> <p>D. Heater does not work.</p> <p>E. Control does not work.</p>	<p>A. Allow bath water to cool.</p> <p>B. Turn heater on.</p> <p>C. Check wiring for proper connections.</p> <p>D. Replace heater.</p> <p>E. Replace control.</p>

Troubleshooting (cont.)

User Keypad and Pump

Symptoms	Probable Causes	Recommended Action
12. Noisy operation.	<p>A. Pump banding straps have not been cut.</p> <p>B. Dry or dislodged jet O-ring (squeal).</p>	<p>A. Cut pump banding straps with tin snips.</p> <p>B. Remove jet, replace and lubricate O-ring, and reinstall jet.</p>

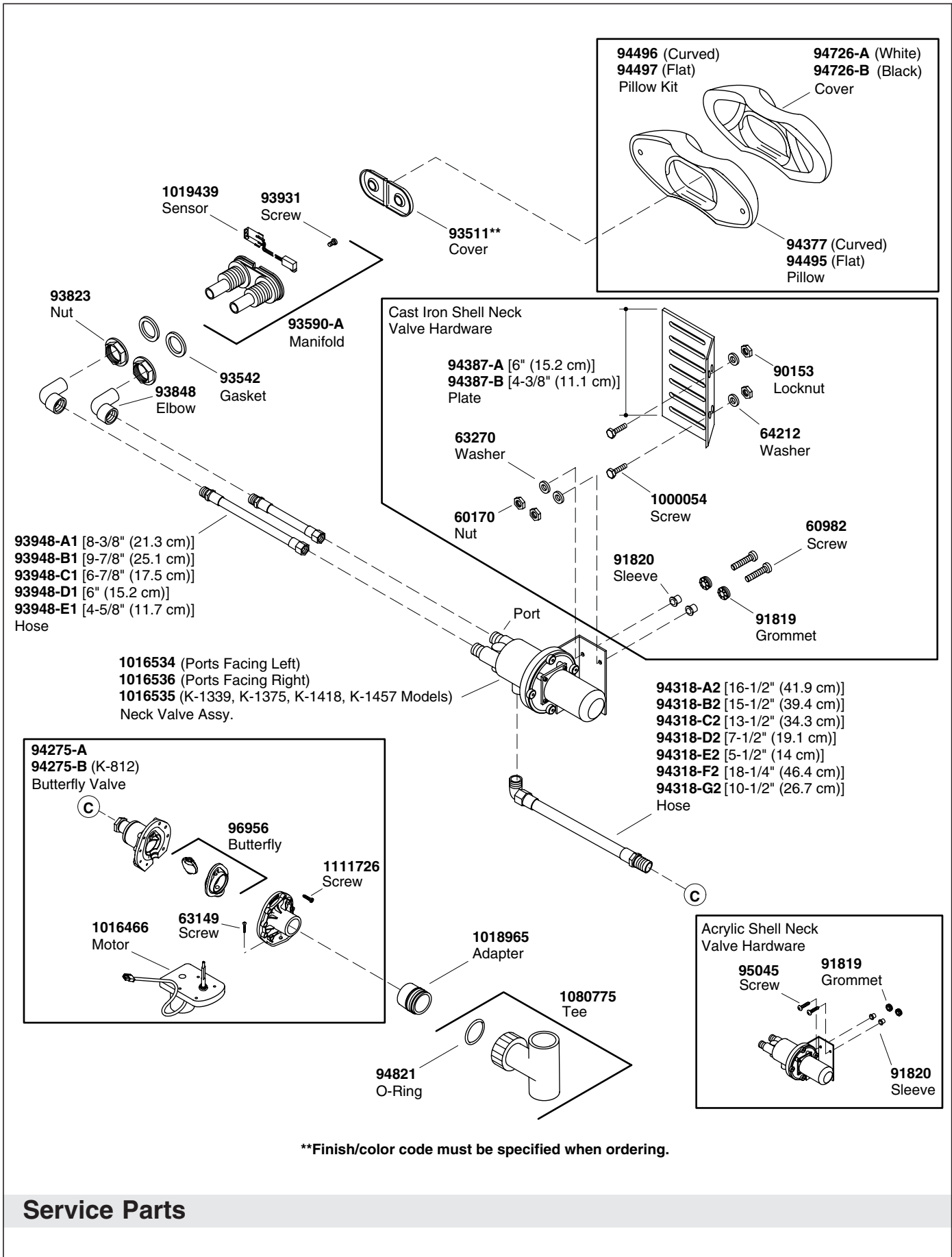
Backjet System

Symptoms	Probable Causes	Recommended Action
1. Backjets do not operate.	<p>A. Whirlpool pump is not operating.</p> <p>B. Backjet butterfly valve does not open.</p> <p>C. Not enough water in whirlpool.</p> <p>D. Actuator switch does not work.</p> <p>E. Power from pump motor to control is off.</p> <p>F. Backjet pipe is blocked.</p> <p>G. Switch wire from switch to control is disconnected.</p>	<p>A. Turn on pump.</p> <p>B. Check for loose connections or wires leading from backjet pulse canister to control. Replace backjet pulse canister or control if necessary. Refer to installer/dealer.</p> <p>C. Fill whirlpool so water level sensors are covered.</p> <p>D. Replace actuator switch. Refer to installer/dealer.</p> <p>E. Check for loose connections or wires leading from pump motor to control. Refer to installer/dealer.</p> <p>F. Remove obstruction.</p> <p>G. Reconnect or replace switch wires that use modular plug. Refer to installer/dealer.</p>
2. Backjets do not pulse.	<p>A. Pulse canister does not work.</p> <p>B. Switch does not work.</p> <p>C. Switch wire from switch to control is disconnected.</p>	<p>A. Check for loose connections or wires leading from pulse canister to control. Replace pulse canister or control if necessary. Refer to installer/dealer.</p> <p>B. Replace switch. Refer to installer/dealer.</p> <p>C. Reconnect or replace switch wires that use modular plug. Refer to installer/dealer.</p>

Neckjet System

Symptoms	Probable Causes	Recommended Action
1. Keypad does not respond when neckjet mode is selected.	A. User keypad does not work.	A. Replace user keypad.
2. Pump operates but neckjets do not turn on. Indicator bar on user keypad is flashing.	<p>A. Pillow is not installed.</p> <p>B. Reed switch does not work.</p> <p>C. Wiring harness from neckjet to control is loose, disconnected or damaged.</p>	<p>A. Make sure the pillow is properly attached to the neckjet body.</p> <p>B. Check reed switch wiring and replace if necessary.</p> <p>C. Check wiring for proper connections. Replace wiring harness if necessary.</p>

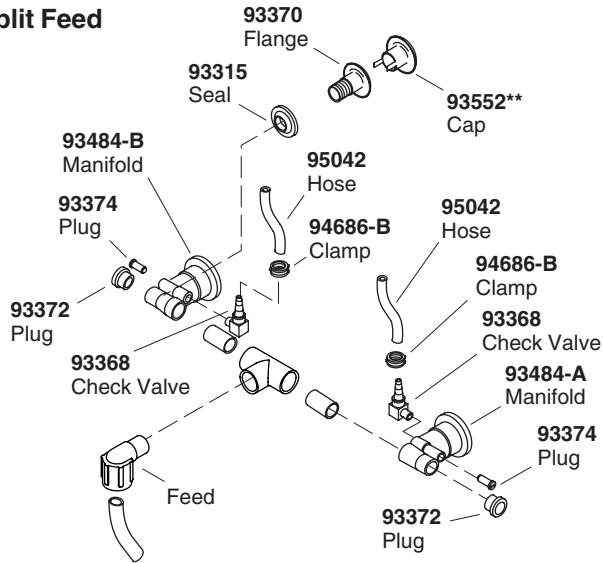
Troubleshooting (cont.)		
Neckjet System		
Symptoms	Probable Causes	Recommended Action
3. Pump operates but neckjets do not turn on. Indicator bar on user keypad is NOT flashing.	<ul style="list-style-type: none"> A. Neckjet line is blocked. B. Wiring harness from neckjet to control is loose, disconnected or damaged. C. Butterfly valve does not work. D. Control does not work. 	<ul style="list-style-type: none"> A. Disconnect neckjet hoses and remove blockage. B. Check wiring for proper connections. Replace wiring harness if necessary. C. Replace butterfly valve. D. Replace control.
4. Water flows from neckjets, but neckjets do not pulse.	<ul style="list-style-type: none"> A. Wiring harness from neckjet pulse canister to control is loose, disconnected or damaged. B. Pulse canister does not work. C. Control does not work. 	<ul style="list-style-type: none"> A. Check wiring for proper connections. Replace wiring harness if necessary. B. Replace pulse canister. C. Replace control.
Effervescent Ports		
Symptoms	Probable Causes	Recommended Action
1. Effervescent ports do not work.	<ul style="list-style-type: none"> A. Whirlpool pump is not operating. B. Butterfly valve does not work. C. Pump does not work. D. Control does not work. 	<ul style="list-style-type: none"> A. Turn on pump. B. Replace butterfly valve. C. Refer to the service manual to troubleshoot the system. Refer to installer/dealer. D. Replace control.
2. Effervescent ports do not bubble.	<ul style="list-style-type: none"> A. Air intake on suction line is blocked. B. Water flow is too low. 	<ul style="list-style-type: none"> A. Remove blockage. B. Increase water flow.
Chromatherapy Lights		
Symptoms	Probable Causes	Recommended Action
1. Chromatherapy lights do not work.	<ul style="list-style-type: none"> A. Loose, disconnected or damaged wiring/connections. B. Control does not work. 	<ul style="list-style-type: none"> A. Check wiring for proper connections. Replace wiring if necessary. B. Replace control.
Remote Control		
Symptoms	Probable Causes	Recommended Action
1. Remote control does not work.	<ul style="list-style-type: none"> A. Batteries improperly installed or dead. B. Antenna on wiring harness is damaged. C. Remote control not programmed correctly. D. Remote control does not work. E. Control does not work. 	<ul style="list-style-type: none"> A. Replace batteries. B. Replace wiring harness. C. See homeowners guide or service manual. D. Replace remote control. E. Replace control.



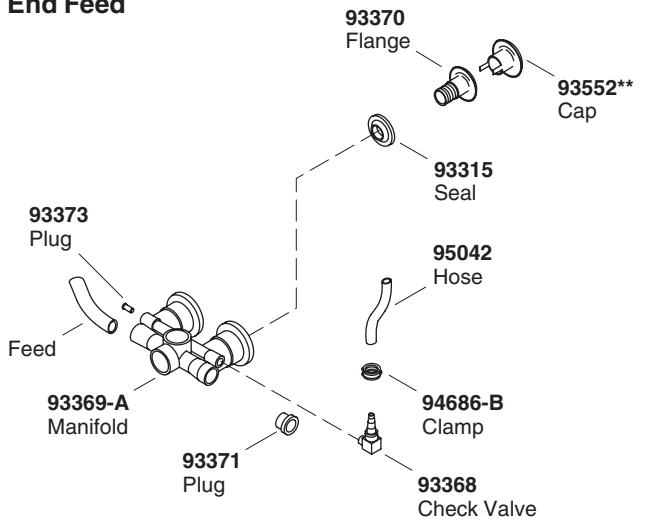
Service Parts

***Note:** All tubing 1/2" unless otherwise noted.

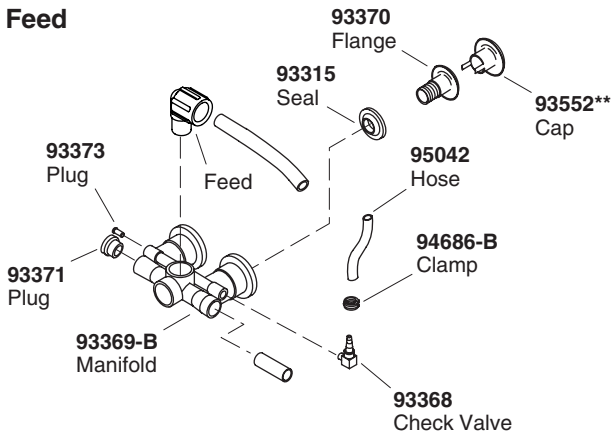
Split Feed



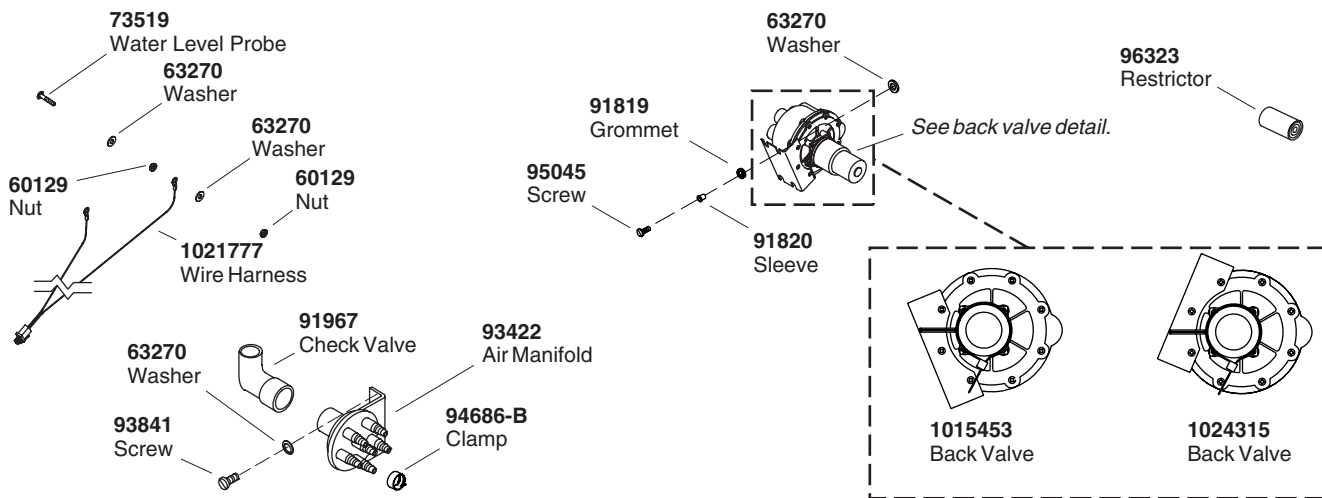
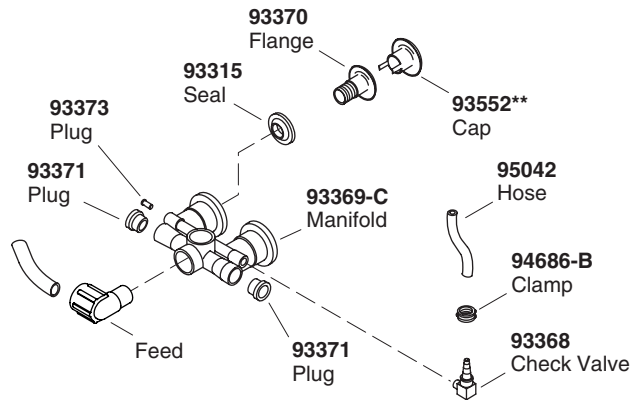
End Feed



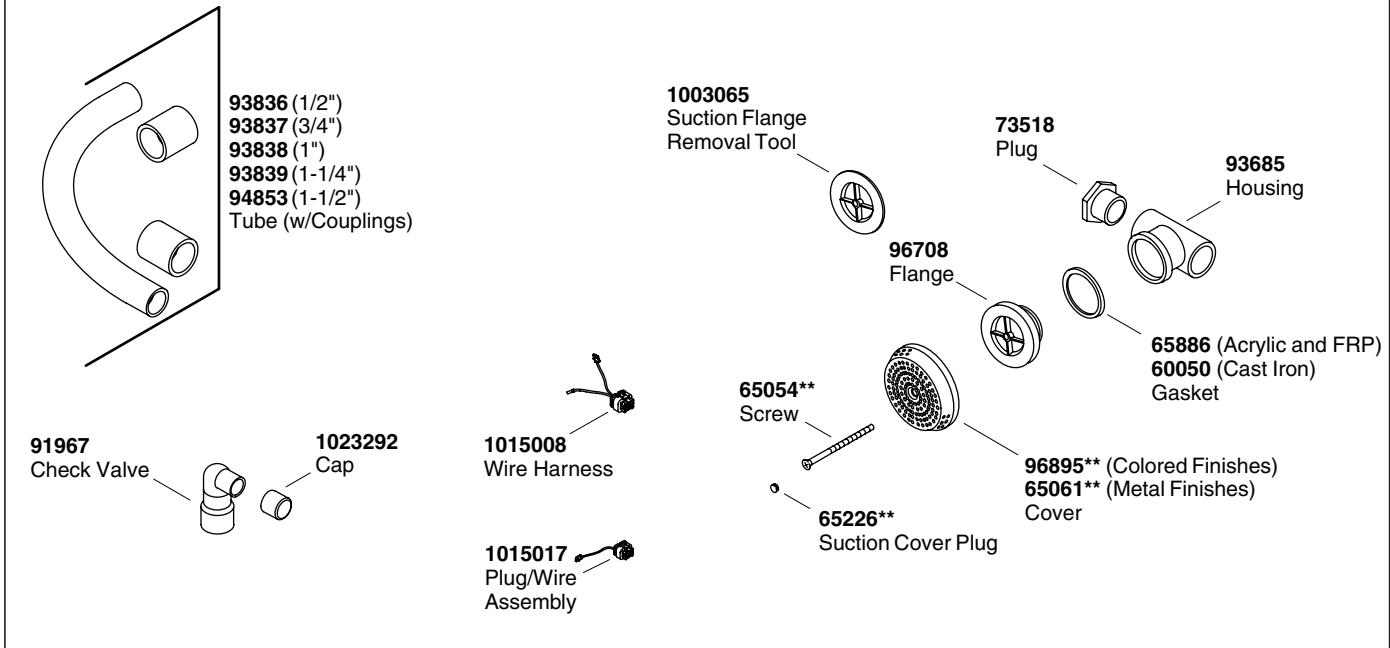
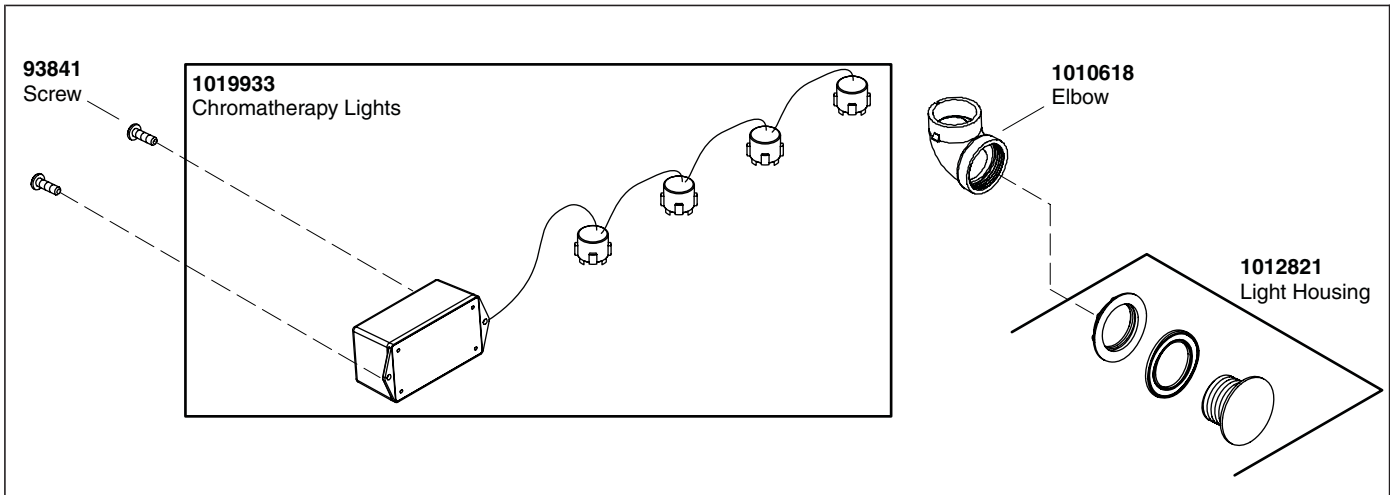
Top Feed



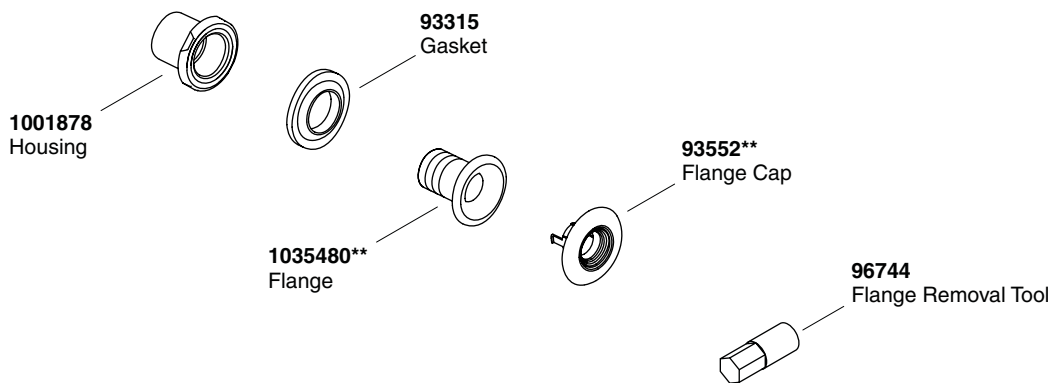
Side Feed



****Finish/color code must be specified when ordering.**



Effervescence Ports



****Finish/color code must be specified when ordering**

1003065
Suction Flange
Removal Tool



73518
Plug



93685
Housing



96708
Flange



65886 (Acrylic and FRP)
60050 (Cast Iron)
Gasket

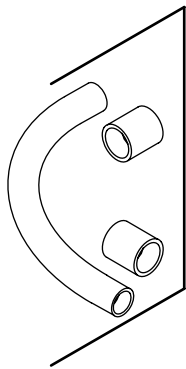


65054**
Screw



96895** (Colored Finishes)
65061** (Metal Finishes)
Cover

65226**
Suction Cover Plug



93836 (1/2")
93837 (3/4")
93838 (1")
93839 (1-1/4")
94853 (1-1/2")
Tube (w/Couplings)

91967
Check Valve



1086350
Flange Removal Wrench



67665
Plug

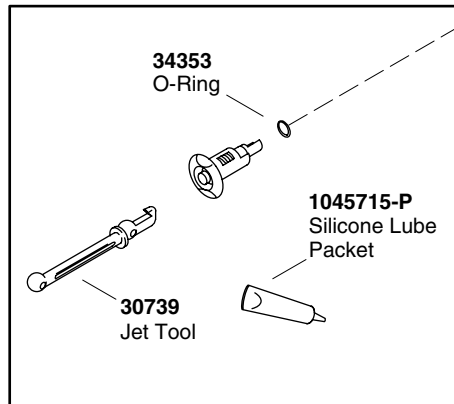


67429
Flange



67889
Jet Housing

65885 (Acrylic and FRP)
67668 (Cast Iron)
Gasket



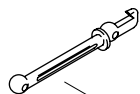
34353
O-Ring



1045715-P
Silicone Lube
Packet



30739
Jet Tool



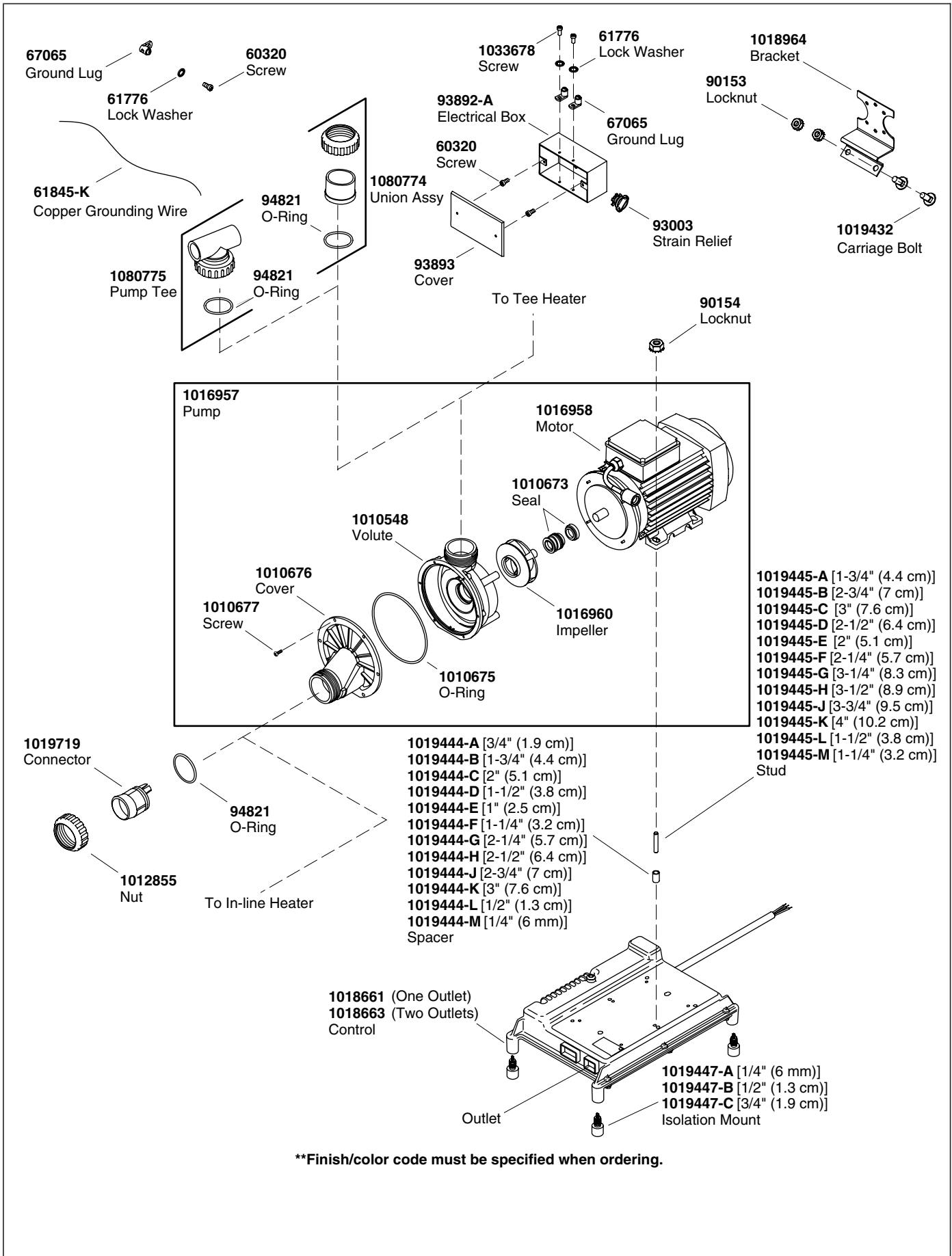
**Single Jet For Whirlpools
With 5 or Less Jets**

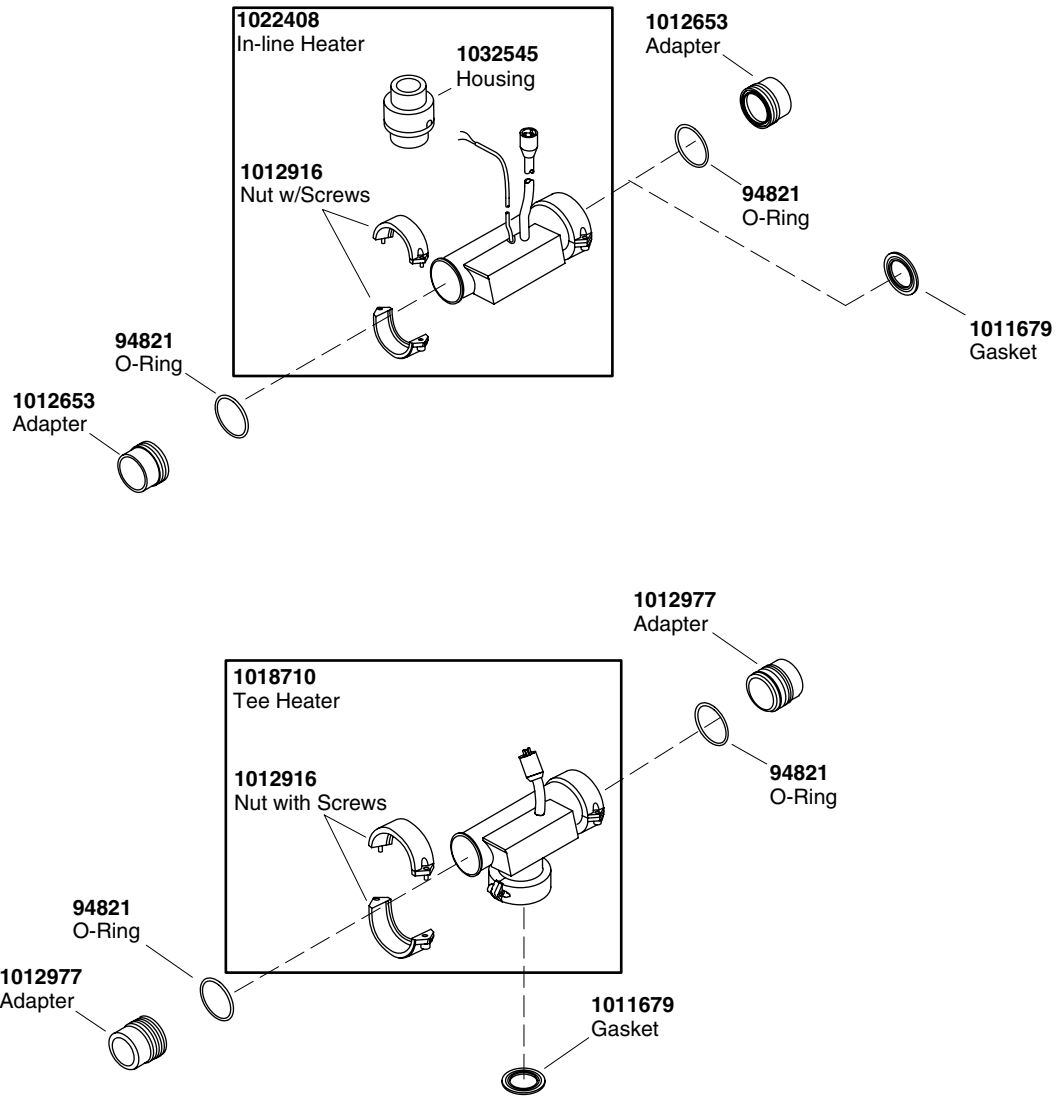
88532** (Colored Finishes)
88531** (Metal Finishes)
Jet

**Single Jet For Whirlpools
With 6 or More Jets**

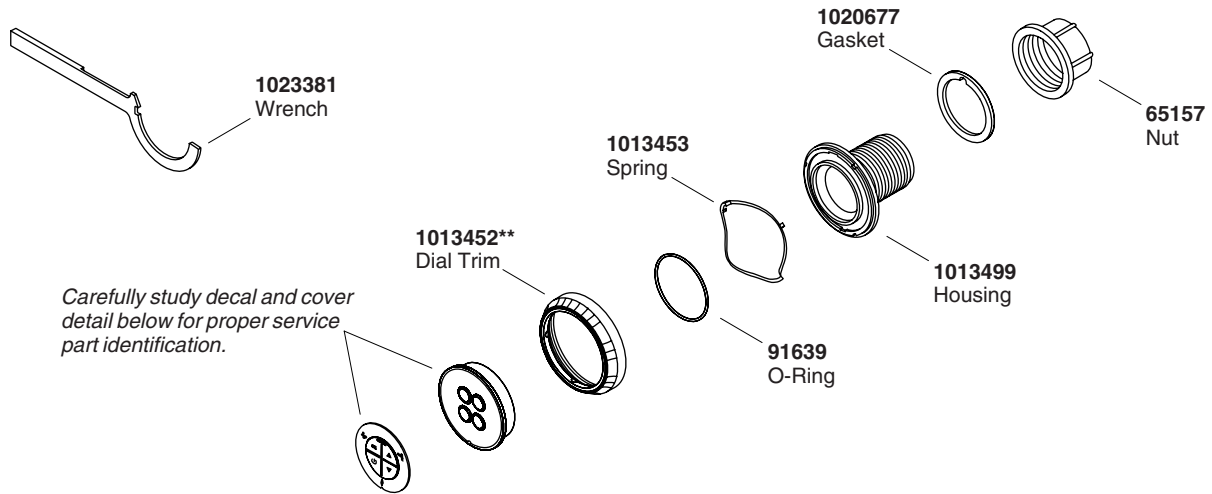
88530** (Colored Finishes)
88529** (Metal Finishes)
Jet

****Finish/color code must be specified when ordering.**

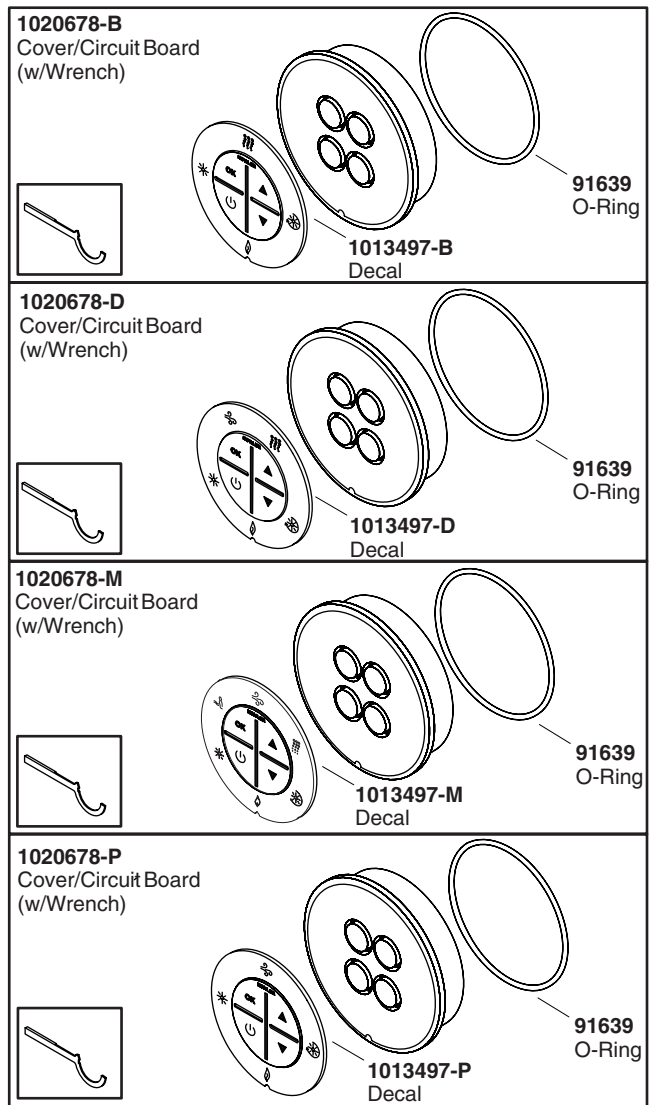
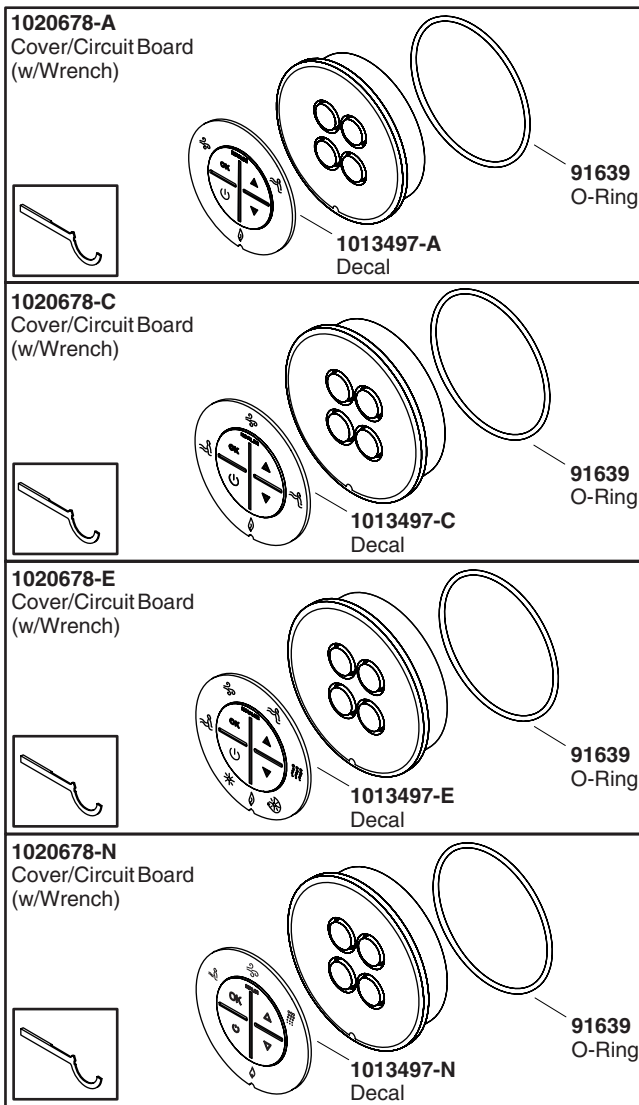




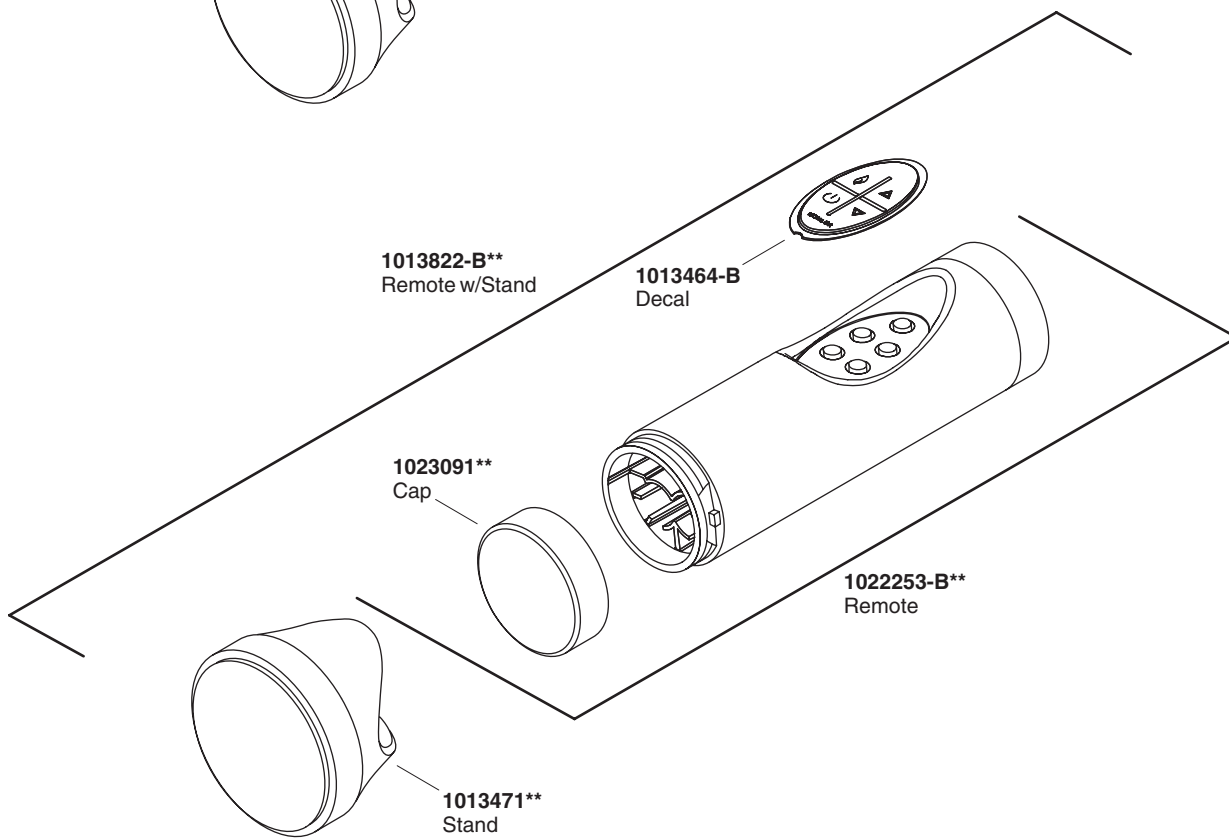
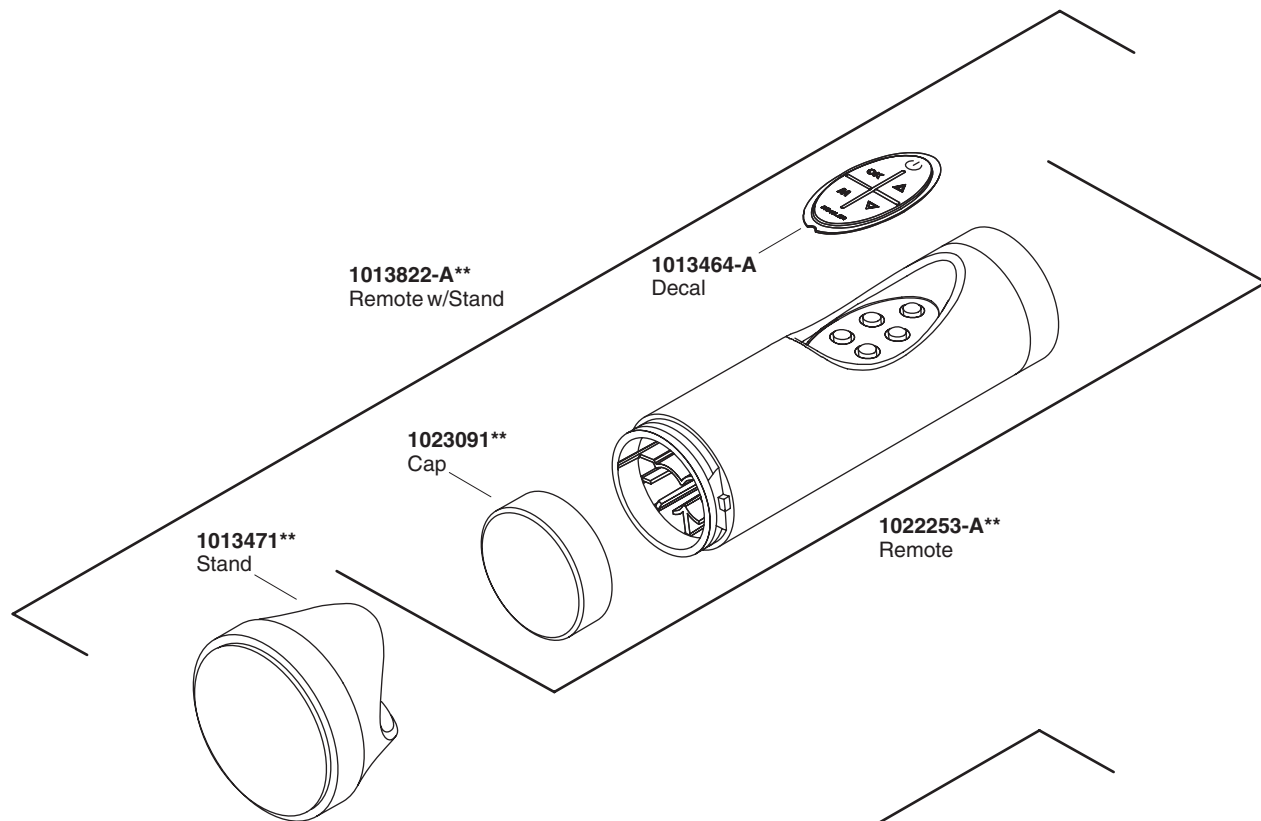
****Finish/color code must be specified when ordering.**



Carefully study decal and cover detail below for proper service part identification.



****Finish/color code must be specified when ordering.**



****Finish/color code must be specified when ordering.**

Guide du propriétaire

Baignoire à hydromassage

Renseignements importants

CONSIGNES RELATIVES AUX RISQUES D'INCENDIE, D'ÉLECTROCUTION OU DE BLESSURES CORPORELLES

LIRE ET SUIVRE TOUTES LES INSTRUCTIONS

CONSERVER CES INSTRUCTIONS



AVERTISSEMENT : Lors de l'utilisation des produits électriques, des précautions de base doivent toujours être observées, incluant ce qui suit :



DANGER : Risque de blessures corporelles. Afin de réduire les risques de blessures, ne jamais permettre à un enfant d'utiliser cet appareil sans surveillance.



AVERTISSEMENT : Risque de blessures corporelles. Pour éviter les blessures corporelles, entrer et sortir avec précaution de la baignoire à hydromassage.



AVERTISSEMENT : Risque d'électrocution. Ne pas raccorder d'appareils électriques (tels que sèche-cheveux, lampe, téléphone, radio ou télévisions) dans les 5' (1,5 m) de cette baignoire à hydromassage.



AVERTISSEMENT : La consommation d'alcool, de drogues ou de médicaments peuvent augmenter considérablement le risque fatal d'hyperthermie. Une immersion prolongée dans l'eau chaude peut provoquer l'hyperthermie. L'hyperthermie a lieu lorsque la température corporelle interne atteint plusieurs degrés au dessus de la température normale de 98,6°F (37°C). Les symptômes d'hyperthermie comprennent la hausse de la température corporelle, l'étourdissement, la léthargie, la somnolence et l'évanouissement. Les effets de l'hyperthermie comprennent: (a) défaut de percevoir la chaleur, (b) défaut de s'apercevoir du besoin de sortir de la baignoire, (c) incapacité de reconnaître le danger, (d) dommages au fœtus dans le cas des femmes enceintes, (e) incapacité physique de sortir de la baignoire et (f) inconscience et danger conséquent de noyade.



AVERTISSEMENT : Risque d'hyperthermie. Les personnes sous médicaments ou qui sont en observation médicale doivent consulter leur médecin avant d'utiliser des baignoires à hydromassage équipées de chauffe-eau.



AVERTISSEMENT : Risque de brûlures. Ne pas laisser la température de la baignoire à hydromassage excéder 104° F (40°C).

Un chauffe-eau maintient automatiquement la température d'eau quand la baignoire à hydromassage est en marche, et tant que la température d'eau ne dépasse pas 104°F (40°C). Le chauffe-eau s'arrêtera aux températures plus hautes.

Une borne de mise à la terre est incluse dans le boîtier du câblage. Afin de réduire les risques d'électrocution, ce terminal doit être raccordé à la borne de mise à la terre du panneau du service électrique, avec un câble ayant le même calibre que celui du circuit de contrôle qui alimente cet équipement.

Un connecteur à pression par câble est prévu à l'extérieur de la pompe ou de la commande de cet appareil afin de permettre la connexion entre l'appareil et toutes autres surfaces de métal avoisinantes, tel que requis par les normes locales.

Renseignements importants (cont.)

Utiliser cette baignoire à hydromassage uniquement pour un usage tel que décrit dans ce guide. Ne pas utiliser des fixations non recommandées par le fabricant.

Ne jamais faire tomber ou insérer d'objet quelconque dans les ouvertures. Ne pas laisser de petits objets tels que des jouets ou accessoires pour le bain dans la baignoire à hydromassage lorsqu'elle est en marche.

Ne pas utiliser cet appareil sans ses protecteurs (couvercles) sur ses raccords d'aspiration.

La baignoire à hydromassage doit être raccordée uniquement à une prise de terre, protégée par un disjoncteur différentiel (GFCI) ou un appareil de courant résiduel (RCD). De tels disjoncteurs GFCI ou RCD devraient être fournis par l'installateur et vérifiés régulièrement. Appuyer sur le bouton de test pour tester les disjoncteurs GFCI ou RCD. Le GFCI ou RCD devraient couper le courant. Appuyer sur le bouton de ré-initialisation. L'alimentation devrait être restituée. Si les disjoncteurs GFCI ou RCD ne fonctionnent pas de cette façon, l'un ou l'autre est défectueux. Si les disjoncteurs GFCI ou RCD stoppent l'alimentation électrique à la baignoire sans que le bouton test ne soit utilisé, il y a donc un court circuit indiquant la possibilité de choc électrique. Ne pas utiliser pas cette baignoire à hydromassage. Débrancher la baignoire à hydromassage et la faire réviser par un technicien qualifié avant son utilisation.

Purger le système d'hydromassage deux fois par mois ou plus souvent selon la fréquence d'usage, tel que décrit dans la section « Purger le système » de ce guide.

L'utilisation répétée de produits d'hygiène et de beauté contenant des huiles peut endommager les revêtements en plastique des composants de la baignoire à hydromassage. Ne pas utiliser de shampoings ou d'huiles de bains à bases végétales.

L'action de la baignoire à hydromassage peut considérablement faire mousser une quantité de produit moussant, même très petite, de savon, de shampoing ou d'huile pour le bain. Pour cette raison, nous vous conseillons de ne pas utiliser ces produits dans votre baignoire à hydromassage.

Conforme FCC

FCC ID: N82-KOHLER001

Canada ID: 4554A-KOHLER001

Déclaration de conformité (Partie 15.19)

Cet appareil est conforme avec la Partie 15 de la réglementation FCC et RSS-210 Canada Industrie. L'appareil est soumis aux deux conditions d'exploitation suivantes :

1. Cet appareil ne devrait pas causer d'interférences dangereuses, et
2. Cet appareil doit recevoir les toutes interférences reçues, ainsi que celles qui pourraient causer des opérations non désirées.

Danger (Partie 15.21)

Tous changements ou modifications non expressément approuvés par la partie responsable garantissant la conformité, pourrait annuler le droit à l'opérateur d'utiliser l'équipement.

Sommaire

Renseignements importants	1
Conforme FCC	2
Merci d'avoir choisi la compagnie Kohler	3
Votre baignoire à hydromassage Kohler	3
Clavier de l'utilisateur illuminé	5
Opération	6
Télécommande	8
Entretien et nettoyage	9
Système de chasse	9
Garantie	9
Entretien des ports effervescents	11
Dépannage	12
Pièces de rechange	17

Merci d'avoir choisi la compagnie Kohler

Merci d'avoir choisi Kohler Co. Vos produits Kohler Co. sont l'expression d'une vraie passion pour la conception, le travail soigné, le caractère artistique et l'innovation représentés par Kohler Co. Nous sommes confiants que sa fiabilité et beauté surpasseront vos exigences les plus élevées, vous satisfaisant pendant les années à venir.

Toute information contenue dans ce guide est basée sur l'information la plus récente du produit disponible au moment de la publication. Chez Kohler Co, nous aspirons à remplir notre mission d'améliorer le niveau d'un mode de vie agréable pour chaque personne affectée par nos produits et services. Nous nous réservons le droit d'apporter des modifications aux caractéristiques, aux emballages et à la disponibilité des produits à tout moment, et ce sans préavis.

Veillez prendre s'il vous plaît quelques minutes pour étudier ce guide. Prêter une attention toute particulière aux instructions d'entretien et de nettoyage.

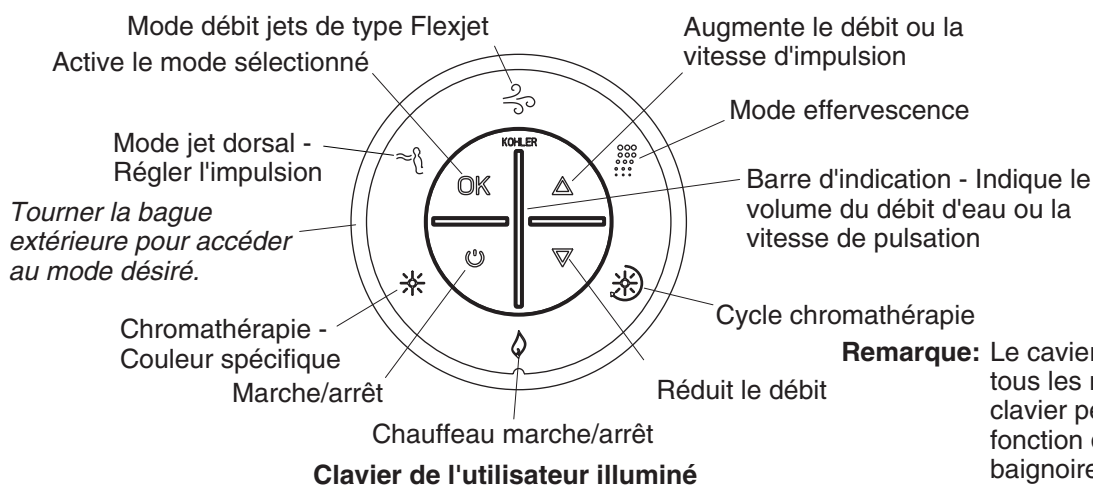
Votre baignoire à hydromassage Kohler

Votre nouvelle baignoire à hydromassage est conçue pour relaxer, stimuler, revigorer et tonifier votre corps. La baignoire à hydromassage consiste en les éléments suivants:

- **Clavier illuminé de l'utilisateur** - Simple d'accès, il vous permet de démarrer ou d'arrêter la baignoire à hydromassage. Il vous permet aussi d'accéder à tous les modes de la baignoire à hydromassage et au réglage du débit d'eau ou de la puissance d'impulsion.
- **Télécommande** - Toutes les fonctions de la baignoire à hydromassage sont à portée de main, afin d'améliorer d'avantage votre expérience de bain. Les fonctions de la télécommande sont identiques à celles du clavier de l'utilisateur illuminé.
- **Moteur de pompe** - Fournit une alimentation à vitesse variable et non bruyante pour faire circuler l'eau.
- **Jets réglables** - Positionnés de manière stratégique pour optimiser l'effet d'hydromassage, ils permettent d'ajuster le débit d'air et d'eau, ainsi que de contrôler la direction du jet selon le désir.
- **Chauffe-eau** - Aide automatiquement à maintenir une température d'eau de 40 °C (104 °F), se met en marche lorsque la baignoire à hydromassage fonctionne et s'arrête lorsque le moteur de la pompe est arrêté. Utiliser le clavier de l'utilisateur illuminé pour arrêter le chauffe-eau n'importe quand pendant que la pompe fonctionne.
- **Effervescence** - Huit ports effervescents émettent des milliers de bulles du style bulles de Champagne qui offrent une expérience relaxante et apaisante.
- **Chromothérapie** - Encourage la relaxation et fournit un spectre complet de couleur. La chromothérapie peut être utilisée avec tous les modes d'opération, même lorsque la pompe n'est pas en marche.

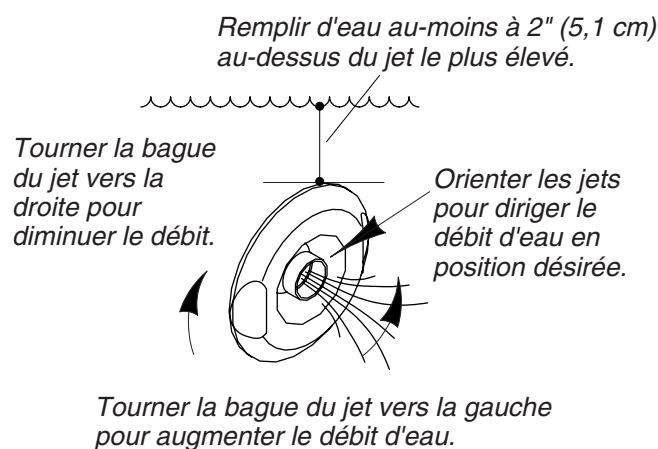
Votre baignoire à hydromassage Kohler (cont.)

- **Jets pour le cou et oreiller** - Contrôlés par le clavier, les jets pour le cou produisent une eau massante pour le dos et le cou. L'oreiller fournit l'endroit parfait pour reposer la tête et se relaxer. Pour éviter que l'eau ne déborde, un interrupteur intégré arrête le mode jet pour le cou si l'oreiller est retiré pendant son opération.
- **Jet dorsaux** - Contrôlés par le clavier, les jets pour le d'eau produisent une eau massante pour le dos. L'impulsion des jets dorsaux a lieu du fond vers le haut de la baignoire à hydromassage de deux jets à la fois.



Clavier de l'utilisateur illuminé

 Icône de mise en marche	Met les pompes de la baignoire à hydromassage en marche et arrêt. Les symboles illuminés en bleu indiquent la disponibilité des modes/fonctions. Les modes en opération seront illuminés en vert.
Couleur spécifique de chromathérapie	Tourner la bague extérieure pour sélectionner ce mode. Appuyer sur OK, puis appuyer sur la flèche vers le haut ou vers le bas pour sélectionner une couleur, puis appuyer de nouveau sur OK. Seulement l'un des deux claviers commande ce mode.
Anneau extérieur	Tourner la bague extérieure pour accéder au mode désiré. Le mode sélectionné clignotera (en bleu).
Mode je dorsal	Tourner la bague extérieure pour sélectionner ce mode. Appuyer sur OK, puis appuyer sur la flèche vers le haut ou vers le bas pour augmenter ou réduire l'action de pulsation. Faire tourner la bague extérieure sur le mode Flexjet, appuyer sur OK pour activer le mode, puis appuyer sur la flèche vers le haut ou vers le bas du clavier pour augmenter ou réduire le débit d'eau pour les jets dorsaux et pour tous les autres modes activés.
OK	Active le mode désiré.
Mode débit jets de type Flexjet	Tourner la bague extérieure pour sélectionner ce mode. Appuyer sur OK, puis appuyer sur la flèche vers le haut ou vers le bas pour augmenter ou réduire le débit d'eau du jet.
Flèche haut	Augmente le débit d'eau quand le mode Flexjet est actif. Augmente la vitesse de pulsation quand le mode d'hydromassage du cou ou dorsal est activé.
Mode effervescence	Faire tourner la bague extérieure pour choisir ce mode, puis appuyer sur OK. L'action effervescente commencera au même débit que celui du dernier mode Flexjet. Appuyer sur la flèche vers le haut ou vers le bas pour augmenter ou diminuer le débit d'eau. Appuyer sur « OK » pendant que le mode effervescence clignote pour arrêter les ports d'effervescence.
Barre indicatrice	Indique le volume du débit d'eau sous le mode Flexjet. Indique la puissance de pulsation du jet pour le cou ou dos.
Cycle de chromathérapie	Faire tourner la bague extérieure pour choisir ce mode, puis appuyer sur OK. Les lumières de chromathérapie s'illumineront automatiquement et de manière continue en passant par un cycle de huit couleurs. Un cycle des huit couleurs dure à peu près une minute. Seulement l'un des deux claviers commande ce mode.
Mode jets pour le cou	Tourner la bague extérieure pour sélectionner ce mode. Appuyer sur OK, puis appuyer sur la flèche vers le haut ou vers le bas pour augmenter ou réduire l'action de pulsation. Faire tourner la bague extérieure sur le mode Flexjet, appuyer sur OK pour activer le mode, puis appuyer sur la flèche vers le haut ou vers le bas du clavier pour augmenter ou réduire le débit d'eau pour les jets dorsaux et pour tous les autres modes activés.
Flèche bas	Augmente le débit de l'eau quand le mode Flexjet est actif. Diminue la vitesse de pulsation quand le mode hydromassage du cou ou dorsal est actif.
Chauffe-eau	S'active automatiquement lorsque la baignoire à hydromassage est mise en service. Pivoter la bague extérieure jusqu'à que le mode débit clignote et appuyer sur "OK". Appuyer encore une fois sur « OK » pour remettre le chauffe-eau en fonction.



Opération

REMARQUE : Si la baignoire à hydromassage ne fonctionne pas correctement, consulter la section « Dépannage » de ce guide avant d'appeler un représentant en service qualifié.

Baignoire à hydromassage

- Tourner complètement la bague du jet vers la gauche. Orienter les buses des jets vers le fond du bassin.

AVIS : Ne pas laisser la température de la baignoire à hydromassage excéder 104° F (40°C). Un chauffe-eau maintient automatiquement la température d'eau quand la baignoire à hydromassage est en marche, et tant que la température d'eau ne dépasse pas 104°F (40°C). Le chauffe-eau s'arrêtera aux températures plus hautes.

- Appuyer sur l'icône de marche pour démarrer la pompe et le chauffe-eau de la baignoire à hydromassage. Le débit d'eau aura un volume moyen.
- Presser les flèches haut/bas pour augmenter ou diminuer le volume de débit d'eau. La barre indicatrice affiche le volume du débit d'eau.
- Ajuster les jets pour un mélange optimal de l'eau et de l'air. Tourner la bague du jet vers la droite pour réduire le débit, ou vers la gauche l'augmenter. Le cas échéant, orienter les jets pour diriger le débit d'eau vers la direction désirée pour optimiser l'action d'hydromassage.
- Si désiré, éteindre le chauffe-eau en appuyant sur le bouton chauffage. Appuyer une deuxième fois sur le bouton pour redémarrer le chauffe-eau.
- Presser l'icône de démarrage une deuxième fois pour arrêter la pompe et le chauffe-eau.

REMARQUE : Votre pompe et le chauffe-eau s'arrête automatiquement après environ 20 minutes de fonctionnement. Si désiré, appuyer sur l'icône de démarrage pour réactiver la pompe et le chauffe-eau.

- Sortir doucement de la baignoire à hydromassage, et ouvrir le drain pour la vider.

Effervescence

- Pivoter la bague extérieure jusqu'à ce que l'icône d'effervescence clignote et appuyer sur « OK » pour activer les ports d'effervescence. Le volume du débit d'eau reste tel qu'il a été réglé précédemment. Appuyer sur « OK » pendant que le mode effervescence clignote pour arrêter les ports d'effervescence.

Chromathérapie

REMARQUE : Les modes de chromathérapie peuvent être utilisés avec tous les modes d'opération, même lorsque la pompe n'est pas en marche.

Opération (cont.)

- Tourner la bague extérieure pour sélectionner ce mode et appuyer sur « OK » pour activer les lumières de chromathérapie. Appuyer sur « OK » quand le mode Chromathérapie est actif pour éteindre les lumières.
- Tourner la bague extérieure pour sélectionner des couleurs particulières, puis appuyer sur « OK ». Utiliser les flèches haut/bas pour atteindre la couleur désirée. Appuyer sur « OK » quand la sélection de couleur est active pour éteindre les lumières.

Jets pour le cou

REMARQUE : Avant d'activer les jets pour le cou, s'assurer que la housse soit bien placée sur l'oreiller et que celui-ci soit attaché sur le corps du jet pour le cou. Si l'oreiller n'est pas correctement installé, les jets pour le cou s'arrêteront. L'indicateur du jet pour le cou et la barre d'indication du clavier clignoteront. Les jets pour le cou redémarreront quand l'oreiller sera correctement installé.

- Tourner la bague extérieure pour sélectionner le mode jets pour le cou, puis appuyer sur « OK » pour activer les jets. Les pulsations des jets pour le cou commenceront à une vitesse moyenne. Appuyer sur les flèches haut ou bas pour ajuster l'action de pulsation.
- Pivoter la bague extérieure jusqu'à ce que le mode débit clignote et appuyer sur « OK ». Appuyer sur les flèches haut ou bas pour ajuster le débit d'eau des jets sur le cou.
- Appuyer sur OK quand le mode jet pour le cou est activé pour arrêter ces jets.

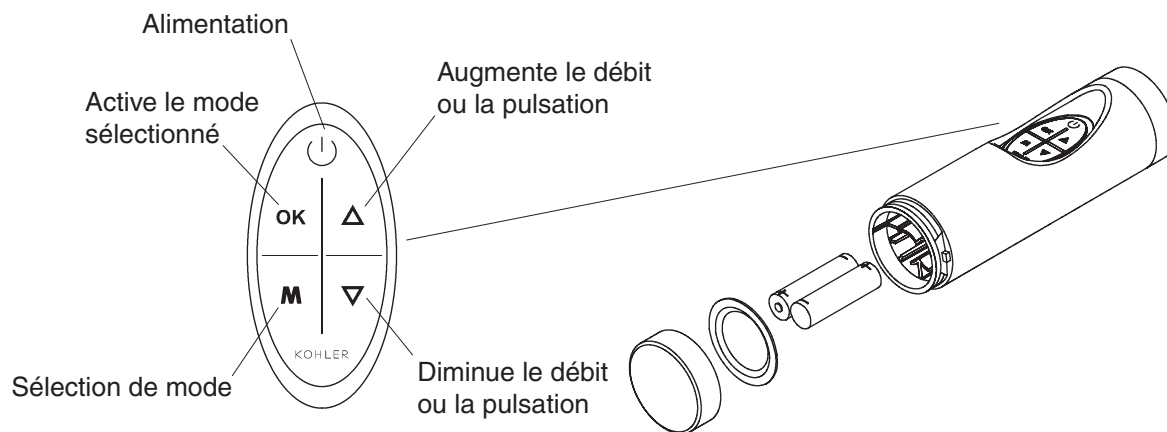
REMARQUE : Pour activer ou désactiver des fonctions quand le mode d'hydromassage pour le cou est en fonction, tourner la bague extérieure jusqu'à ce que le voyant désiré clignote, puis appuyer sur « OK ».

Jet dorsaux

- Pivoter la bague extérieure jusqu'à ce que l'icône du jet dorsal clignote et appuyer sur OK. Les impulsions du jet dorsal commenceront à une vitesse moyenne. L'impulsion des jets dorsaux a lieu du fond vers le haut de la baignoire à hydromassage de deux jets à la fois.

REMARQUE : Si le niveau d'eau baisse en-dessous des capteurs, les jets dorsaux s'arrêteront. L'icône du jet dorsal et la barre indicatrice du clavier clignoteront. Les jets dorsaux redémarreront automatiquement lorsque le niveau de l'eau recouvre les capteurs.

- Pour augmenter ou diminuer la puissance de pulsation des jets du cou, appuyer sur les flèches haut et bas du clavier, pendant que le mode de jet dorsal est actif.
- Pour augmenter ou diminuer le débit des jets dorsaux, tourner la bague extérieure sur le mode Flexjet, appuyer sur OK pour activer le mode et appuyer sur une des flèches du clavier, vers le haut ou vers le bas. Ceci augmente ou diminue aussi le débit à tous les modes.
- Appuyer sur OK lorsque le mode jet dorsal est activé pour arrêter les jets dorsaux.



Télécommande

Fonctionnement

La télécommande, dont les fonctions sont identiques à celle du clavier de l'utilisateur, place les fonctions du bain à hydromassage à portée de main pour améliorer encore davantage votre expérience. La télécommande étanche est conçue pour être utilisée dans le bain, et elle flotte sur l'eau.

Alimentation	Met la baignoire à hydromassage ou le chauffe-eau en marche et les arrête.
Sélecteur Mode	Fonctionne de la même manière que la bague extérieure sur le clavier de l'utilisateur. Lorsque l'on appuie, l'un des modes clignote sur le clavier de l'utilisateur. Si on appuie à nouveau, le mode suivant, dans le sens des aiguilles d'une montre, clignote. Quand le mode désiré clignote, presser sur "OK" pour l'activer.
OK	Active le mode désiré.
Flèche haut	Augmente le débit d'eau ou l'impulsion.
Flèche bas	Réduit le débit d'eau ou l'impulsion.

Programmation

REMARQUE : La programmation de la télécommande n'est normalement pas requise. Il sera cependant nécessaire de programmer la télécommande par rapport au clavier de l'utilisateur dans les cas suivants : (1) plus d'un appareil se trouvant dans la maison ou à proximité utilise une télécommande (2) la télécommande ou la commande de la pompe est remplacée.

- Mettre en marche la baignoire à hydromassage.
- Arrêter tous les modes d'opération. Attendre approximativement une minute jusqu'à ce que le clavier soit complètement assombri. (mode veille)
- Presser sur la flèche vers le haut du clavier, flèche vers la bas et le "OK" simultanément. La LED inférieure de la barre d'indication du clavier de l'utilisateur commence à clignoter.
- Quand la LED inférieure clignote, appuyer sur le bouton « OK » du clavier de l'utilisateur. Une séquence de lumières s'illuminera de haut en bas de la barre d'indication.
- Pendant que la séquence de lampes est active, appuyer sur n'importe quel bouton de la télécommande. Le programme se téléchargera et le clavier deviendra s'assombri. Le clavier sera maintenant compatible avec cette télécommande.

Piles

- Dévisser le couvercle d'extrémité de la télécommande, tel qu'indiqué.
- Insérer deux piles AAA.
- Bien serrer le couvercle d'extrémité, en s'assurant que celui-ci est en contact avec le joint.

Entretien et nettoyage

Pour de meilleurs résultats, prendre ce qui suit en considération lors de l'entretien de votre produit KOHLER:

- Toujours tester la solution de nettoyage sur une surface la moins évidente avant de l'appliquer sur la totalité de la surface.
- Essuyer les surfaces et rincer complètement avec de l'eau immédiatement après l'application du nettoyant. Rincer et sécher tout éclaboussement sur les surfaces avoisinantes.
- Ne pas laisser les nettoyeurs sur les surfaces.
- Utiliser une éponge ou un chiffon doux et humide. Ne jamais utiliser de matériau abrasif tel que brosse ou éponges à récurer pour nettoyer les surfaces.

Pour l'information détaillée de nettoyage et des produits à considérer, visiter www.kohler.com/clean. Pour commander des informations d'entretien et de nettoyage, composer le 1-800-456-4537.

Système de chasse

REMARQUE : Purger le système d'hydromassage deux fois par mois ou plus, selon la fréquence d'utilisation.

- Tourner les bagues de garniture du jet complètement dans le sens des aiguilles d'une montre pour supprimer l'admission d'air.
- Remplir la baignoire à hydromassage avec de l'eau chaude à un niveau d'au moins 2" (5,1 cm) au-dessus des jets les plus élevés, ou laisser l'eau dans la baignoire à hydromassage après l'usage.
- Ajouter à l'eau 2 petites cuillères (10 ml) d'un détergent pour lave-vaisselle peu moussant et 20 onces (590 ml) d'eau de javel domestique (5% - 6% d'hypochlorite de sodium).
- Faire fonctionner la baignoire à hydromassage pendant 5 à 10 minutes. Arrêter la baignoire à hydromassage et purger.
- Si désiré, rincer les surfaces de la baignoire avec de l'eau.
- Rincer les surfaces des jets, le robinet, les barres d'appuis et le drain, et sécher avec un chiffon doux.

Garantie

GARANTIE LIMITÉE D'UN AN

Les produits de plomberie KOHLER sont garantis contre tout défaut matériel et de fabrication pour un an, à partir de la date de l'installation.

Kohler Co. jugera à sa discrétion, de la réparation, du remplacement ou du réglage approprié et ceci après toute inspection faite par Kohler Co. de tous défauts dus à une utilisation normale et ceci pendant un (1) an à partir de la date d'installation. Kohler Co. n'est pas responsable des coûts de démontage ou d'installation.

L'utilisation de nettoyeurs à l'intérieur du réservoir annulera la garantie.

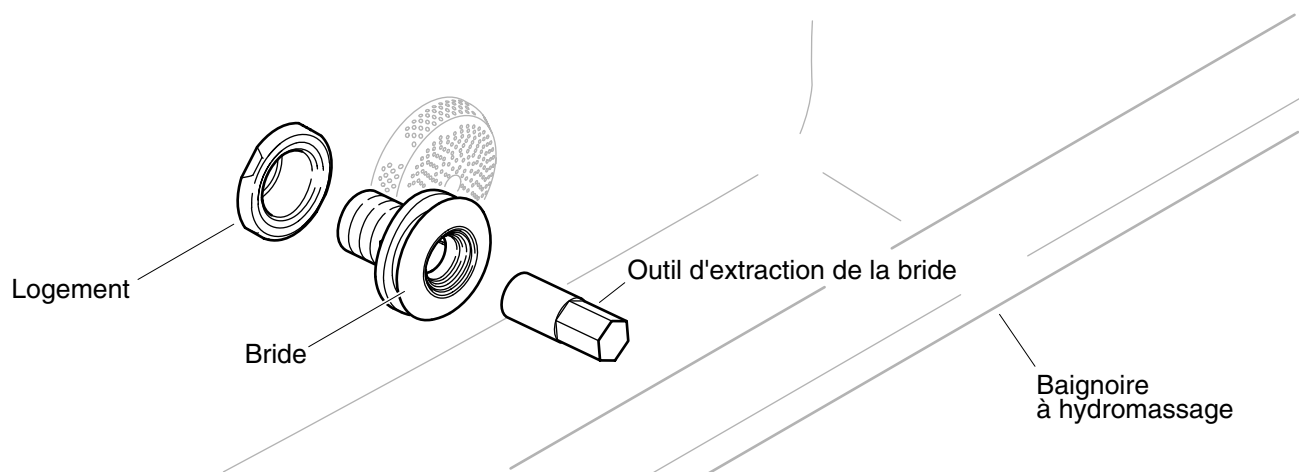
Pour obtenir un service-garantie, contacter Kohler Co. par l'intermédiaire de votre vendeur, plombier, centre de rénovation, revendeur par internet ou par écrit à Kohler Co. à l'attention de: Customer Care Center, Kohler, 444 Highland Drive Wisconsin 53044 USA, ou en appelant le 1-800-4-KOHLER (1-800-456-4537) à partir des États-Unis et du Canada, et le 001-800-456-4537 à partir du Mexique, ou rendez-vous à l'adresse www.kohler.com aux États-Unis, à l'adresse www.ca.kohler.com au Canada, ou à l'adresse www.mx.kohler.com au Mexique.

LA DURÉE DES GARANTIES TACITES, Y COMPRIS CELLES DE QUALITÉ MARCHANDE ET D'APTITUDE À UN EMPLOI PARTICULIER, SE LIMITE EXPRESSÉMENT À LA DURÉE DE LA PRÉSENTE GARANTIE. KOHLER CO. ET/OU LE REVENDEUR DÉCLINENT TOUTE RESPONSABILITÉ CONTRE LES DOMMAGES PARTICULIERS, IMPRÉVUS OU DE CIRCONSTANCE. Certains états/provinces ne permettent pas la limitation sur la durée de la garantie implicite, ou l'exclusion ou la limitation de dommages spéciaux, accessoires ou indirects, et, par conséquent, ces limitations et exclusions pourraient ne pas s'appliquer dans votre cas. Cette garantie vous donne des

Garantie (cont.)

droits légaux spécifiques. Vous pouvez également avoir d'autres droits qui varient d'un état/province à l'autre.

Ceci constitue la garantie écrite exclusive de Kohler Co.



Entretien les ports effervescents

AVIS : Cette section est seulement destinée à une aide générale. Seul un agent agréé de Kohler ou un électricien qualifié devrait corriger tous les problèmes électriques. Pour une réparation sous garantie, contacter le vendeur ou distributeur.

Retirer le port

- Insérer l'outil de retrait de la bride (fourni) dans l'ouverture du port.
- Placer le pouce contre la paroi de la baignoire à hydromassage tout en saisissant fermement l'outil de retrait de la bride.
- Tirer sur l'outil de retrait de la bride, jusqu'à ce que celle-ci soit libérée de son boîtier.

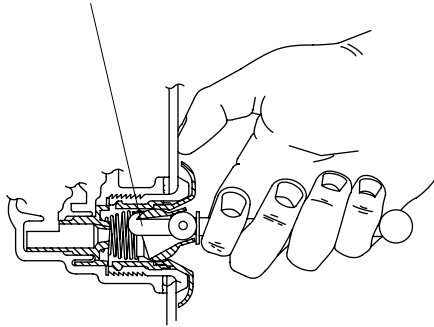
Réinstaller le port

REMARQUE : Ne pas utiliser de force lors de la réinstallation du port.

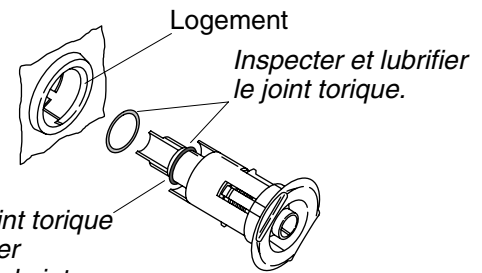
- Insérer délicatement la bride dans le boîtier, puis pousser et faire légèrement pivoter la bride jusqu'à ce qu'elle s'enclenche en place.
- Vérifier que le port est installé correctement. Retirer et réinstaller si nécessaire.

Retirer les jets

Insérer l'outil en crochet comme indiqué, et retirer le jet hors de son logement. Le gicleur devrait être vers le haut quand cela sera terminé.



Réinstaller les jets



Glisser le joint torique sur le premier épaulement du jet.

Insérer le jet dans son logement, tourner et pousser doucement jusqu'à ce qu'il s'enclenche en position.

Dépannage

AVIS : Cette section est seulement destinée à une aide générale. Seul un agent agréé de Kohler ou un électricien qualifié devrait corriger tous les problèmes électriques. Pour une réparation sous garantie, contacter le vendeur ou distributeur.

Retirer les jets

- Positionner la buse de gicleur du jet vers le haut. Ceci assure que l'outil pour le jet ne glissera pas.
- Placer l'outil pour jet (fourni) avec le crochet tourné vers le haut.
- Insérer l'outil pour jet dans l'ouverture du jet et accrocher la partie supérieure intérieure du gicleur.
- Placer le pouce contre la paroi de la baignoire à hydromassage tout en saisissant fermement l'outil pour jet.
- Tirer avec force sur l'outil pour jet jusqu'à ce que l'ensemble du jet sorte du boîtier. Faire attention à ne pas perdre le joint torique.

Réinstaller les jets

REMARQUE : Pour permettre une rotation aisée et un fonctionnement correct des jets, le joint torique doit être : (1) correctement placé, (2) lubrifié, et (3) en bonne condition.

- Installer le joint torique sur le **premier épaulement** du jet.
- Lubrifier le joint torique avec le paquet de lubrifiant silicone (fourni), afin d'éviter le fonctionnement bruyant du jet.
- Insérer délicatement le jet dans le logement, puis pousser et pivoter légèrement jusqu'à ce qu'il s'enclenche en place. **Ne pas forcer le jet.**
- L'appareil n'est pas installé correctement. Le jet devrait pivoter aisément dans les deux sens. Retirer et réinstaller si nécessaire.

Tableau de dépannage

Dépannage (cont.)

Clavier de l'utilisateur et pompe

Symptômes	Causes probables	Action recommandée
1. Le clavier ne s'illumine pas quand le bouton est pressé ou quand la bague extérieure est tournée.	<p>A. Pas d'alimentation au contrôle.</p> <p>B. Les disjoncteurs GFCI ou RCD se déclenchent.</p> <p>C. Le harnais du câblage du clavier est desserré, débranché ou endommagé.</p> <p>D. Le clavier ne fonctionne pas.</p> <p>E. Le contrôle ne fonctionne pas.</p>	<p>A. Vérifier le câblage et connecter l'alimentation électrique.</p> <p>B. Réinitialiser le GFCI ou le RCD.</p> <p>C. Vérifier que les connexions du câblage soient correctes. Remplacer le harnais du câblage si nécessaire.</p> <p>D. Remplacer le clavier.</p> <p>E. Remplacer le contrôle.</p>
2. Le moteur démarre, mais tous les jets ne fonctionnent pas.	<p>A. Le jet est fermé.</p> <p>B. Le jet n'est pas installé correctement.</p> <p>C. Les jets sont bloqués.</p>	<p>A. Tourner la bague du jet vers la gauche pour ouvrir.</p> <p>B. Réinstaller le jet; s'assurer que le joint torique ne soit pas endommagé.</p> <p>C. Retirer le blocage.</p>
3. Le clavier est illuminé mais, ne répond pas aux boutons ou bague extérieure.	<p>A. Le programme de contrôle est verrouillé.</p> <p>B. Le harnais du câblage du clavier est desserré, débranché ou endommagé.</p> <p>C. Le clavier ne fonctionne pas.</p> <p>D. Le contrôle ne fonctionne pas.</p>	<p>A. Réinitialiser le GFCI ou le RCD.</p> <p>B. Vérifier que les connexions du câblage soient correctes. Remplacer le harnais du câblage si nécessaire.</p> <p>C. Remplacer le clavier.</p> <p>D. Remplacer le contrôle.</p>
4. La barre d'indication du clavier continue le balayage au démarrage.	<p>A. Le programme de contrôle est verrouillé.</p> <p>B. Le harnais du câblage du clavier est desserré, débranché ou endommagé.</p> <p>C. Le clavier ne fonctionne pas.</p> <p>D. Le contrôle ne fonctionne pas.</p>	<p>A. Réinitialiser le GFCI ou le RCD.</p> <p>B. Vérifier que les connexions du câblage soient correctes. Remplacer le harnais du câblage si nécessaire.</p> <p>C. Remplacer le clavier.</p> <p>D. Remplacer le contrôle.</p>
5. Le clavier est illuminé, mais la pompe de démarrage pas.	<p>A. Le câble de la pompe est desserré, déconnecté ou endommagé.</p> <p>B. Le pompe ne fonctionne pas.</p> <p>C. Le contrôle ne fonctionne pas.</p>	<p>A. Vérifier que les connexions du câblage soient correctes.</p> <p>B. Remplacer la pompe.</p> <p>C. Remplacer le contrôle.</p>
6. Le moteur fonctionne mais la pompe ne démarre pas (cavitante).	<p>A. La pompe est trop élevée.</p> <p>B. Petite fuite d'air à l'entrée de la pompe.</p> <p>C. Le moteur/pompe ne fonctionne pas.</p> <p>D. Le contrôle ne fonctionne pas.</p>	<p>A. Baisser la pompe/contrôle au niveau du plancher.</p> <p>B. Serrer soigneusement le(s) écrou(s) des tuyaux de l'admission de la pompe.</p> <p>C. Remplacer le moteur/la pompe.</p> <p>D. Remplacer le contrôle.</p>
7. La pompe s'arrête automatiquement avant 18 minutes.	<p>A. Les disjoncteurs GFCI ou RCD se déclenchent.</p> <p>B. L'aspiration est bloquée.</p> <p>C. Les jets sont bloqués.</p> <p>D. Moteur surchauffé et système de protection activé.</p>	<p>A. Identifier la source du problème, puis y remédier. Réinitialiser le GFCI ou le RCD.</p> <p>B. Retirer l'obstruction.</p> <p>C. Retirer le blocage.</p> <p>D. Vérifier s'il y a un blocage à l'aspiration et/ou aux jets. Retirer l'obstruction et laisser le moteur refroidir.</p>
8. La pompe ne s'arrête pas automatiquement après 22 minutes.	<p>A. La minuterie de 20 minutes s'arrête par inadvertance.</p>	<p>A. Consulter le manuel de service.</p>

Dépannage (cont.)**Clavier de l'utilisateur et pompe**

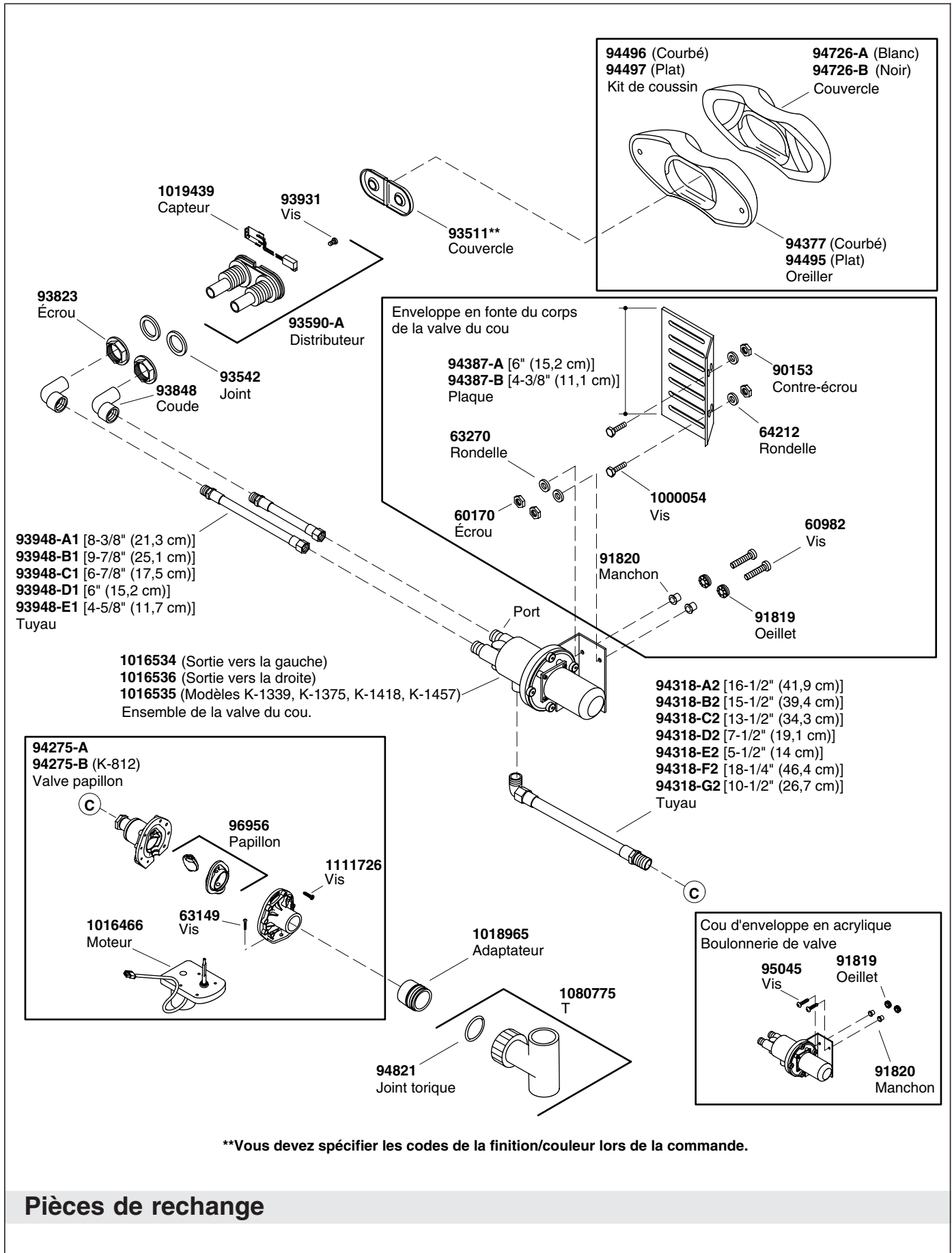
Symptômes	Causes probables	Action recommandée
9. La pompe ne s'arrêtera pas quand le bouton de marche du clavier est pressé.	A. Le clavier ne fonctionne pas. B. Le contrôle ne fonctionne pas.	A. Remplacer le clavier. B. Remplacer le contrôle.
10. La pompe fonctionne, mais la fonction de vitesse variable ne fonctionne pas.	A. Le moteur/pompe ne fonctionne pas. B. Le contrôle ne fonctionne pas.	A. Remplacer le moteur/la pompe. B. Remplacer le contrôle.
11. L'eau de la baignoire se refroidit pendant l'opération de la pompe.	A. La température de l'eau au-dessus de 104°F (40°C). B. Le chauffe-eau est arrêté par le clavier. C. Le câblage du chauffe-eau est desserré, débranché ou endommagé. D. Le chauffe-eau ne fonctionne pas. E. Le contrôle ne fonctionne pas.	A. Laisser l'eau du bain refroidir. B. Mettre le chauffe-eau en marche. C. Vérifier que les connexions du câblage soient correctes. D. Remplacer le chauffe-eau. E. Remplacer le contrôle.
12. Fonctionnement bruyant.	A. Les sangles de retenue de la pompe n'ont pas été coupées. B. Joint torique sec ou délogé (crissement).	A. Couper les sangles de retenue avec des cisailles de ferblantier. B. Retirer le jet, remplacer et lubrifier le joint torique, et réinstaller le jet.

Système de jet dorsal

Symptômes	Causes probables	Action recommandée
1. Les jets dorsaux ne fonctionnent pas.	A. La pompe de la baignoire à hydromassage ne fonctionne pas. B. La valve papillon du jet dorsal ne s'ouvre pas. C. Il n'y a pas suffisamment d'eau dans la baignoire à hydromassage. D. L'interrupteur de l'actionneur ne fonctionne pas. E. L'alimentation du moteur de la pompe au contrôle est arrêtée. F. Les tuyaux des jets dorsaux sont bouchés. G. Le câblage de l'interrupteur entre l'interrupteur et la commande est déconnecté.	A. Activer la pompe. B. Vérifier s'il y a des connexions ou des câbles desserrés depuis la cartouche d'impulsion dorsale et jusqu'au contrôle. Remplacer la cartouche d'impulsion des jets dorsaux ou le contrôle si nécessaire. Contacter l'installateur/vendeur. C. Remplir la baignoire à hydromassage de façon à ce que les capteurs de niveau soient couverts. D. Remplacer l'interrupteur de l'actionneur. Contacter l'installateur/vendeur. E. Vérifier s'il y a des connexions ou câbles desserrés, depuis le moteur de la pompe jusqu'au contrôle. Contacter l'installateur/vendeur. F. Retirer l'obstruction. G. Raccorder ou remplacer les câbles de l'interrupteur qui emploient une fiche modulaire. Contacter l'installateur/vendeur.

Dépannage (cont.)		
Système de jet dorsal		
Symptômes	Causes probables	Action recommandée
2. Les jets dorsaux ne fonctionnent pas.	<p>A. La cartouche d'impulsion ne fonctionne pas.</p> <p>B. L'interrupteur ne fonctionne pas.</p> <p>C. Le câblage de l'interrupteur entre l'interrupteur et la commande est déconnecté.</p>	<p>A. Vérifier s'il y a des connexions ou des câbles desserrés depuis la cartouche d'impulsion au contrôle. Remplacer la cartouche d'impulsion ou le contrôle si nécessaire. Contacter l'installateur/vendeur.</p> <p>B. Remplacer l'interrupteur. Contacter l'installateur/vendeur.</p> <p>C. Raccorder ou remplacer les câbles de l'interrupteur qui emploient une fiche modulaire. Contacter l'installateur/vendeur.</p>
Système de jets pour le cou		
Symptômes	Causes probables	Action recommandée
1. Le clavier ne répond pas quand le mode jets pour le cou est sélectionné.	A. Le clavier ne fonctionne pas.	A. Remplacer le clavier.
2. La pompe fonctionne mais les jets pour le cou ne fonctionnent pas. La barre indicatrice du clavier clignote.	<p>A. Le coussin n'est pas installé.</p> <p>B. L'interrupteur bilame ne fonctionne pas.</p> <p>C. Le câblage du jet pour le cou est desserré, débranché ou cassé.</p>	<p>A. S'assurer que le coussin soit bien attaché au jet pour le cou.</p> <p>B. Vérifier le câblage l'interrupteur bilame et remplacer si nécessaire.</p> <p>C. Vérifier que les connexions du câblage soient correctes. Remplacer le harnais du câblage si nécessaire.</p>
3. La pompe fonctionne mais les jets pour le cou ne fonctionnent pas. La barre indicatrice du clavier NE clignote PAS.	<p>A. Le conduit du jet pour le cou est bouché.</p> <p>B. Le câblage du jet pour le cou est desserré, débranché ou cassé.</p> <p>C. La valve papillon ne fonctionne pas.</p> <p>D. Le contrôle ne fonctionne pas.</p>	<p>A. Déconnecter les conduits du jet pour le cou et déboucher.</p> <p>B. Vérifier que les connexions du câblage soient correctes. Remplacer le harnais du câblage si nécessaire.</p> <p>C. Remplacer la valve papillon.</p> <p>D. Remplacer le contrôle.</p>
4. L'eau coule des jets pour le cou, mais pas d'impulsion.	<p>A. Le câblage des jets d'hydromassage pour le cou au boîtier de contrôle est desserré ou endommagé.</p> <p>B. La cartouche d'impulsion ne fonctionne pas.</p> <p>C. Le contrôle ne fonctionne pas.</p>	<p>A. Vérifier que les connexions du câblage soient correctes. Remplacer le harnais du câblage si nécessaire.</p> <p>B. Remplacer la cartouche d'impulsion.</p> <p>C. Remplacer le contrôle.</p>
Ports effervescents		
Symptômes	Causes probables	Action recommandée
1. Les ports effervescents ne fonctionnent pas.	<p>A. La pompe de la baignoire à hydromassage ne fonctionne pas.</p> <p>B. La valve papillon ne fonctionne pas.</p> <p>C. Le pompe ne fonctionne pas.</p> <p>D. Le contrôle ne fonctionne pas.</p>	<p>A. Activer la pompe.</p> <p>B. Remplacer la valve papillon.</p> <p>C. Se référer au manuel pour dépanner le système. Contacter l'installateur/vendeur.</p> <p>D. Remplacer le contrôle.</p>

Dépannage (cont.)		
Ports effervescents		
Symptômes	Causes probables	Action recommandée
2. Les ports effervescents ne font pas de bulles.	<ul style="list-style-type: none"> A. La ligne d'aspiration d'air est bouchée. B. Le débit d'eau est trop faible. 	<ul style="list-style-type: none"> A. Retirer le blocage. B. Pas de débit d'eau.
Lumières de chromathérapie		
Symptômes	Causes probables	Action recommandée
1. Les lumières de chromathérapie ne fonctionnent pas.	<ul style="list-style-type: none"> A. Le câblage est desserré ou endommagé. B. Le contrôle ne fonctionne pas. 	<ul style="list-style-type: none"> A. Vérifier que les connexions du câblage soient correctes. Remplacer le câblage si nécessaire. B. Remplacer le contrôle.
Télécommande		
Symptômes	Causes probables	Action recommandée
1. La télécommande ne fonctionne pas.	<ul style="list-style-type: none"> A. Les piles sont mal installées ou épuisées. B. L'antenne du câblage électrique est endommagée. C. La télécommande n'est pas correctement programmée. D. La télécommande ne fonctionne pas. E. Le contrôle ne fonctionne pas. 	<ul style="list-style-type: none"> A. Remplacer les piles. B. Remplacer le faisceau de câblage. C. Consulter le guide du propriétaire ou le manuel d'entretien. D. Remplacer la télécommande. E. Remplacer le contrôle.

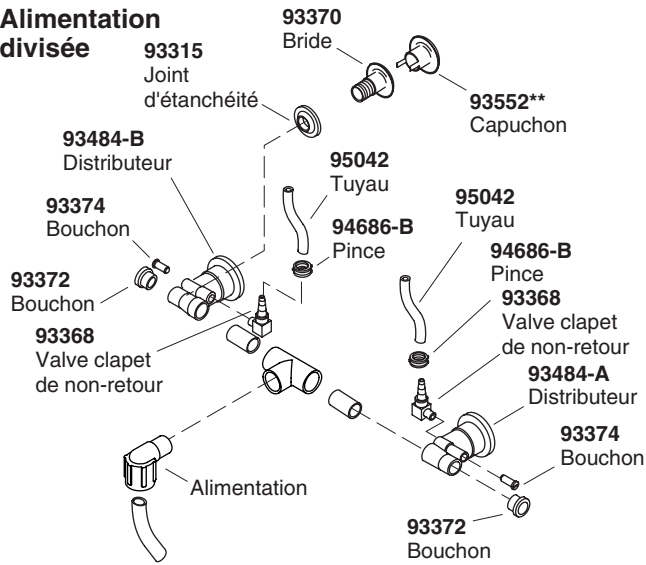


****Vous devez spécifier les codes de la finition/couleur lors de la commande.**

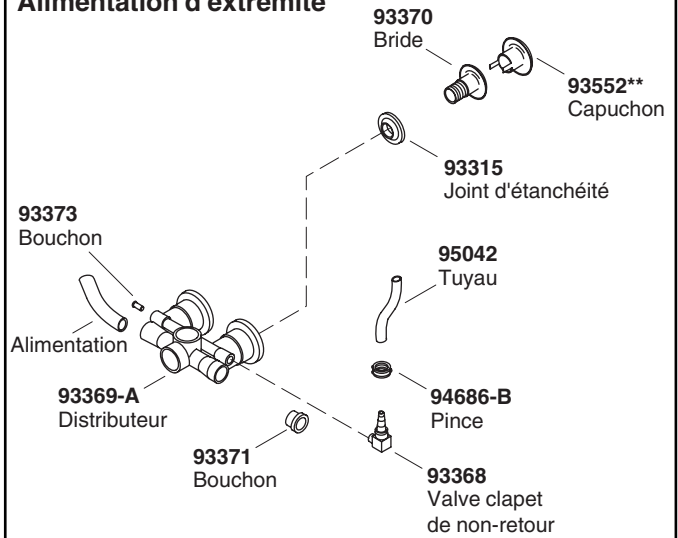
Pièces de rechange

***Remarque:** Tous les tubes de 1/2" à moins qu'indiqué autrement.

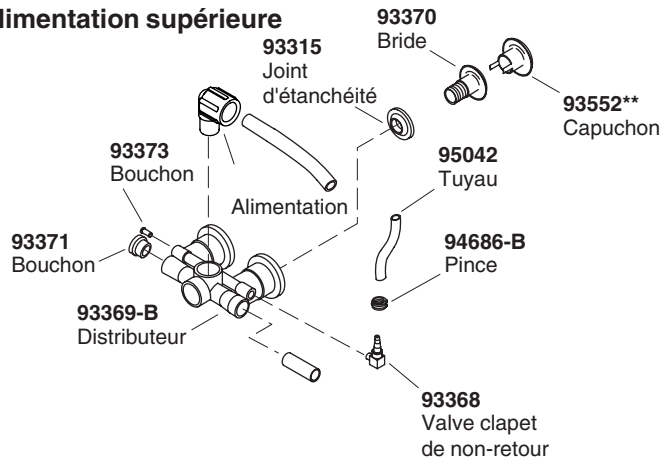
Alimentation divisée



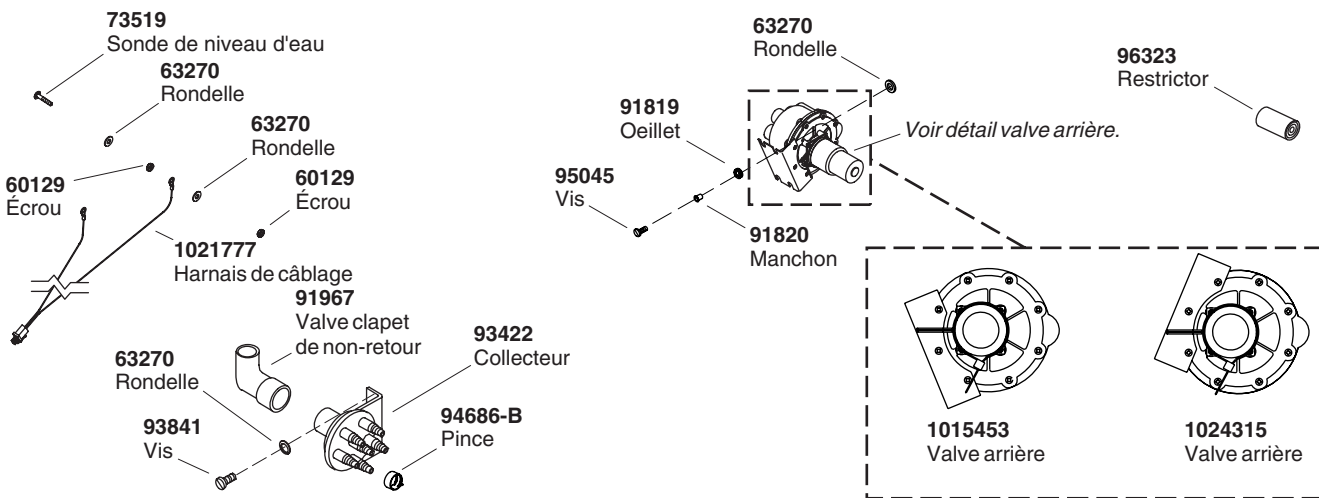
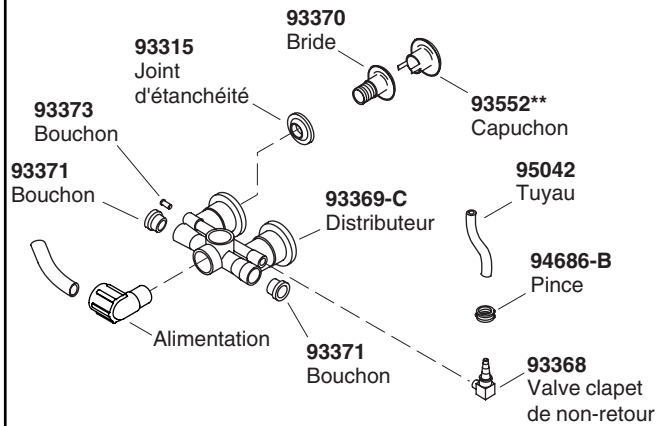
Alimentation d'extrémité



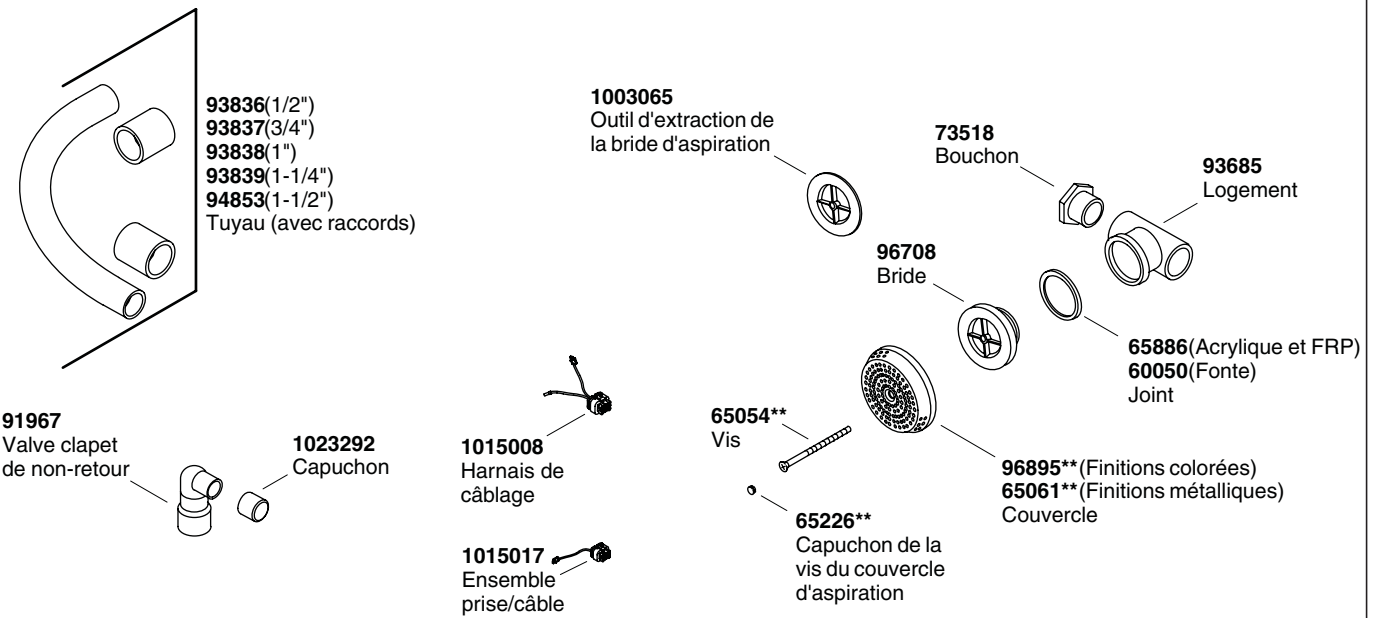
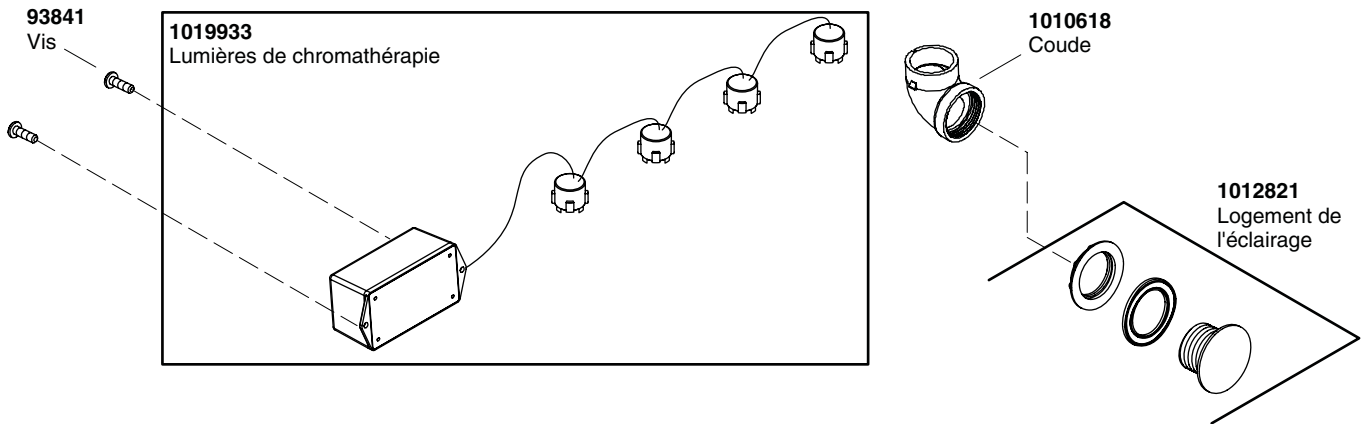
Alimentation supérieure



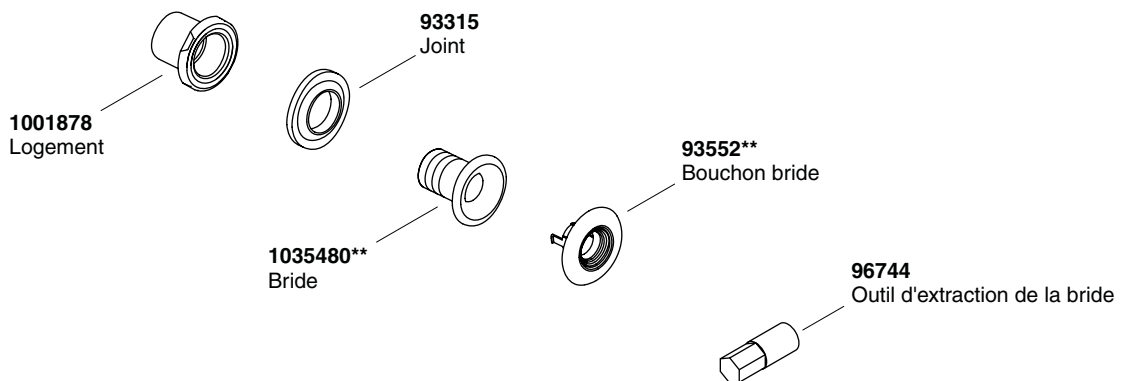
Alimentation latérale



****Vous devez spécifier les codes de la finition et/ou de la couleur quand vous passez votre commande.**



Ports d'effervescence



****Vous devez spécifier les codes de la finition et/ou de la couleur quand vous passez votre commande.**

1003065
Outil d'extraction de
la bride d'aspiration



73518
Bouchon



93685
Logement



96708
Bride



65886 (Acrylique et FRP)
60050 (Fonte)
Joint



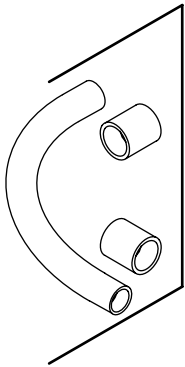
65054**
Vis



96895** (Finitions colorées)
65061** (Finitions métalliques)
Couvercle

65226**

Capuchon de la vis
du couvercle d'aspiration



93836 (1/2")
93837 (3/4")
93838 (1")
93839 (1-1/4")
94853 (1-1/2")
Tuyau (avec couplages)

91967
Valve clapet de non-retour



1086350
Clé d'extraction de bride



67665
Bouchon



67429
Bride



67889
Logement du jet

65885 (Acrylique et FRP)
67668 (Fonte)
Joint



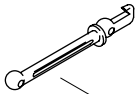
34353
Joint torique



1045715-P
Paquet de
lubrifiant
silicone



30739
Outil pour le jet



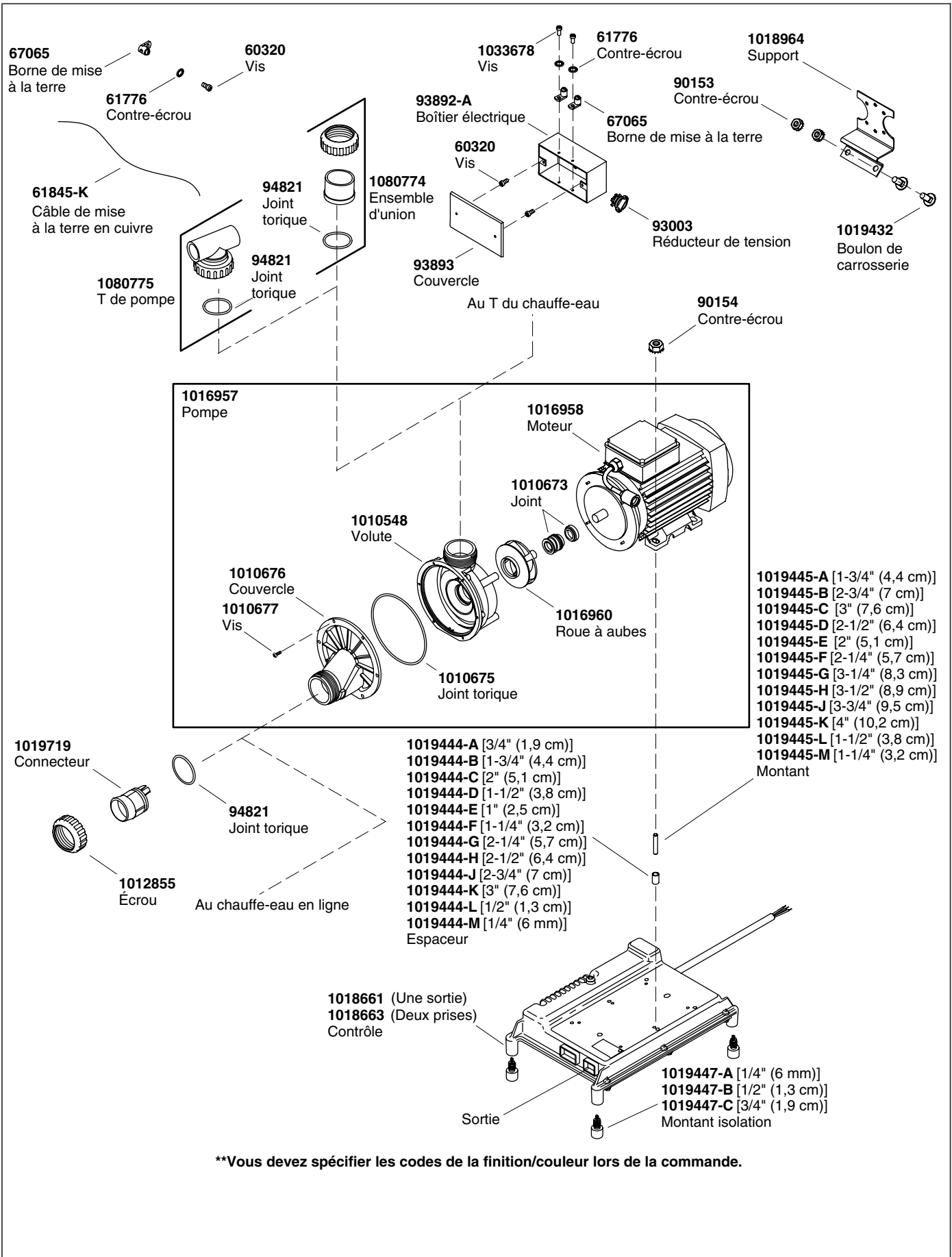
**Jet unique pour baignoires à
hydromassage avec 5 jets ou moins**

88532** (Finitions colorées)
88531** (Finitions métalliques)
Jet

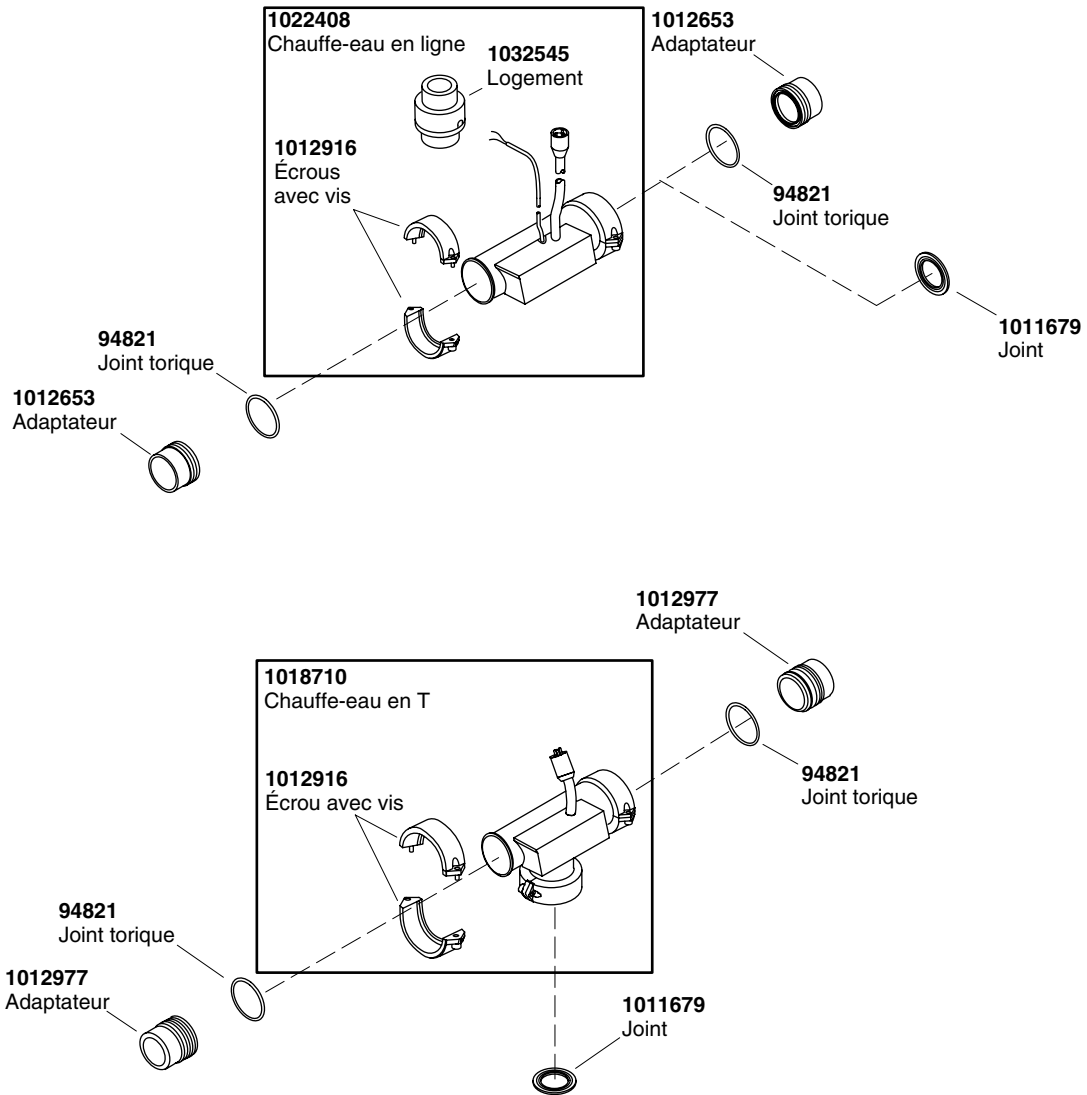
**Jet unique pour baignoires à
hydromassage avec 6 jets ou plus**

88530** (Finitions colorées)
88529** (Finitions métalliques)
Jet

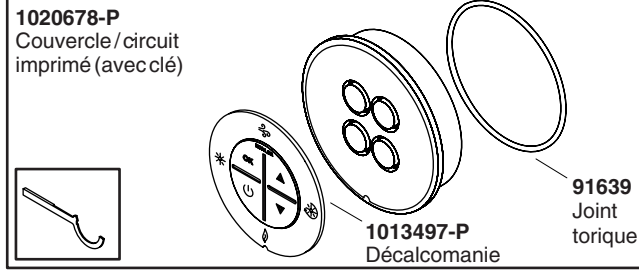
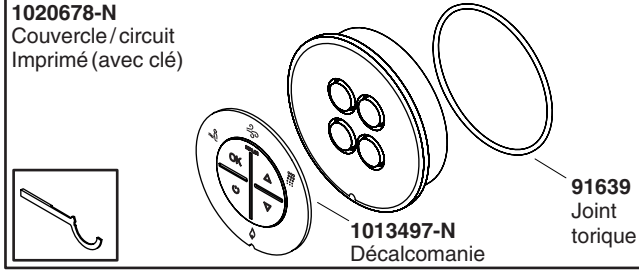
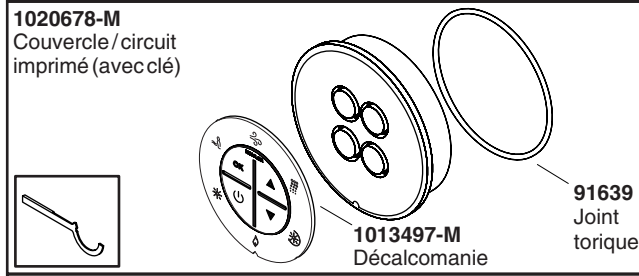
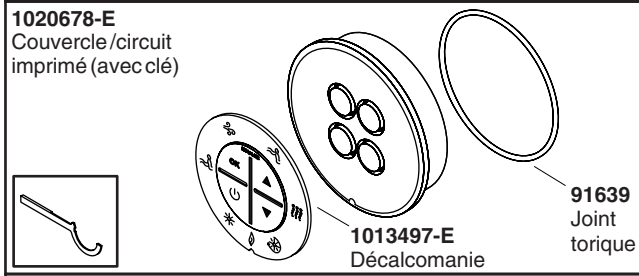
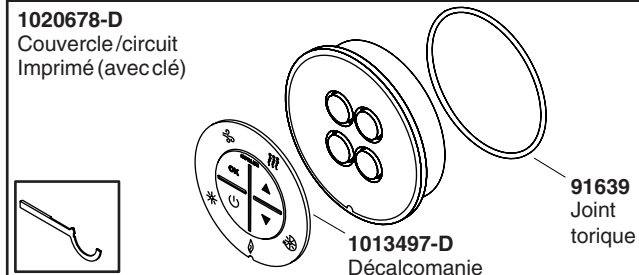
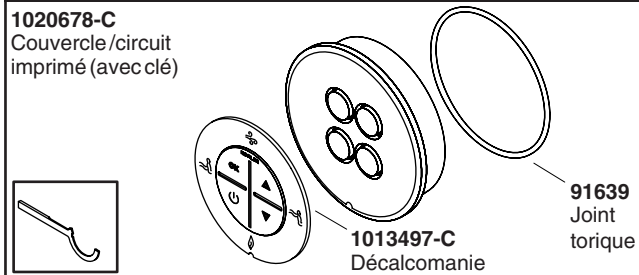
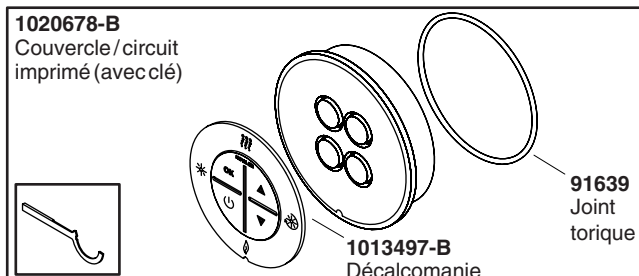
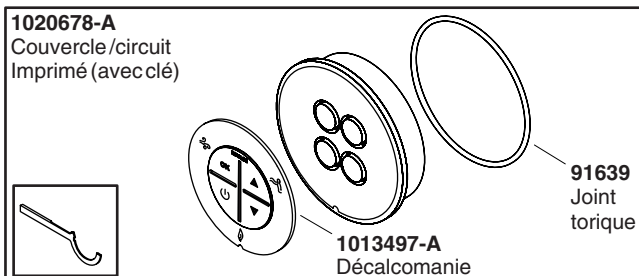
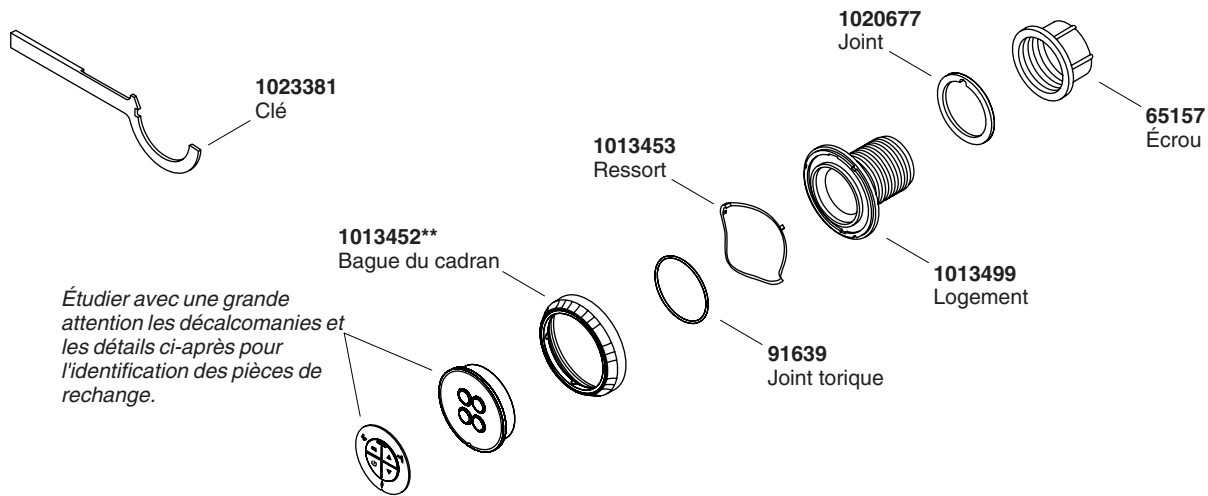
****Vous devez spécifier les codes de la finition/couleur lors de la commande.**



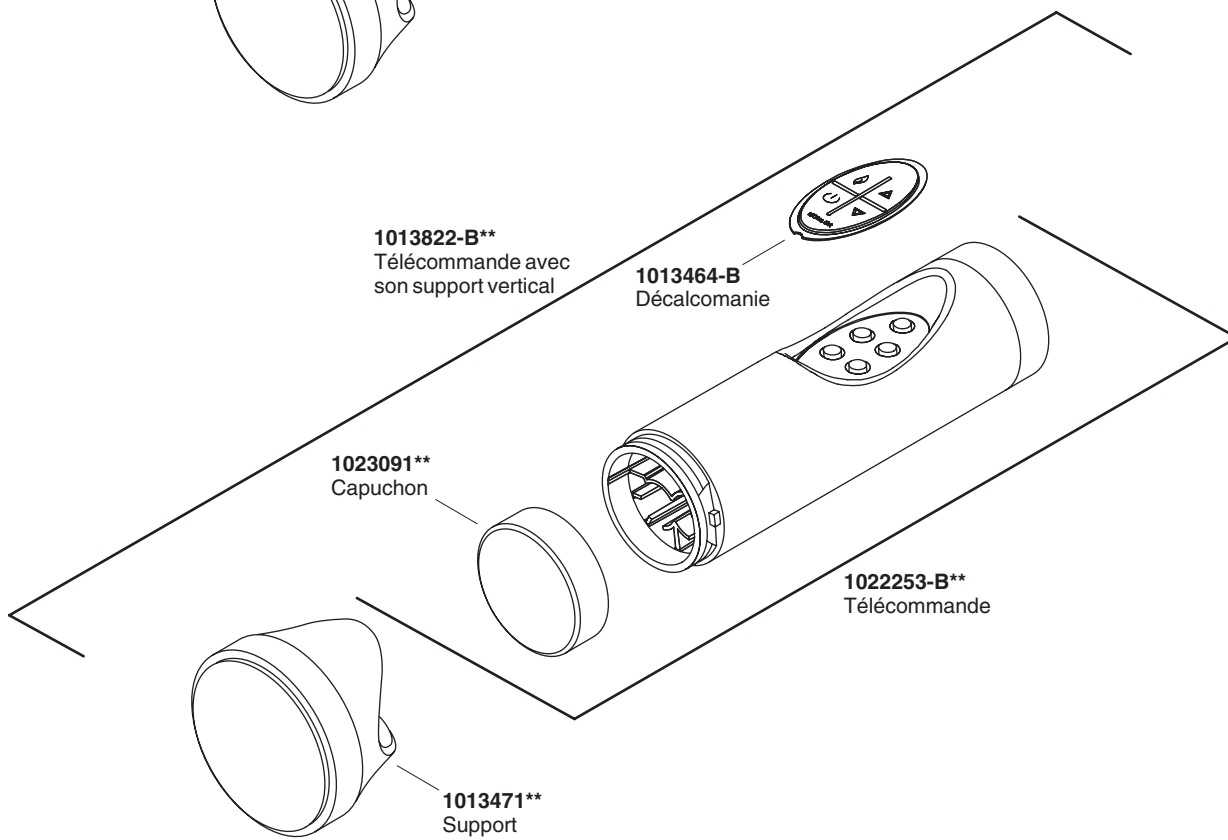
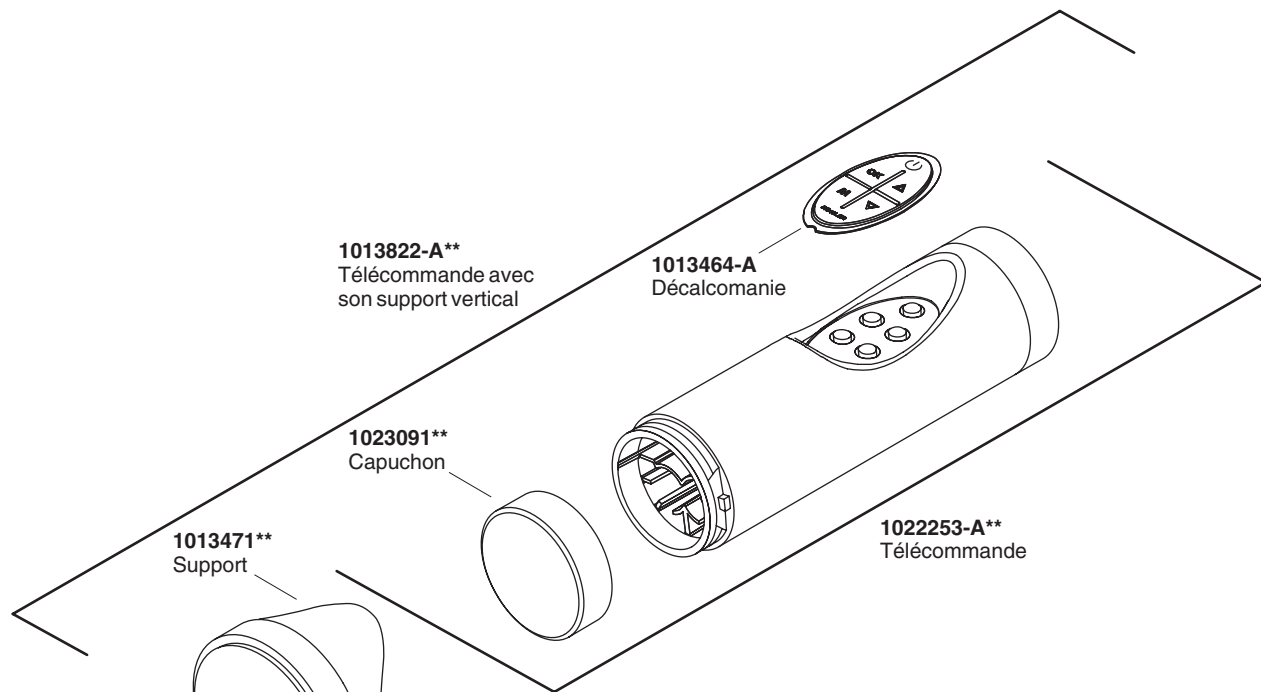
****Vous devez spécifier les codes de la finition/couleur lors de la commande.**



****Vous devez spécifier les codes de la finition/couleur lors de la commande.**



****Vous devez spécifier les codes de la finition et/ou de la couleur quand vous passez votre commande.**



****Vous devez spécifier les codes de la finition et/ou de la couleur quand vous passez votre commande.**

Guía del usuario

Bañera de hidromasaje

Información importante

INSTRUCCIONES RELATIVAS AL RIESGO DE INCENDIO, DESCARGA ELÉCTRICA O LESIONES PERSONALES

LEA Y SIGA TODAS LAS INSTRUCCIONES

GUARDE ESTAS INSTRUCCIONES



ADVERTENCIA: Al usar aparatos eléctricos, siga siempre las precauciones básicas, incluyendo las siguientes:



PELIGRO: Riesgo de lesiones personales. Para reducir el riesgo de lesiones, no permita que los niños usen este producto sin la estricta supervisión en todo momento.



ADVERTENCIA: Riesgo de lesiones personales. Para evitar lesiones, tenga cuidado al entrar y salir de la bañera de hidromasaje.



ADVERTENCIA: Riesgo de descarga eléctrica. No coloque aparatos eléctricos (como secador de pelo, lámparas, teléfono, radio o televisión) a menos de 5' (1,5 m) de esta bañera de hidromasaje.



ADVERTENCIA: El uso de alcohol, drogas o medicamentos puede aumentar enormemente el riesgo de sufrir hipertermia fatal. La inmersión prolongada en agua caliente puede producir hipertermia. La hipertermia ocurre cuando la temperatura interna del cuerpo alcanza un nivel superior a la temperatura corporal normal de 98,6°F (37°C). Los síntomas de la hipertermia incluyen el aumento de la temperatura corporal interna, mareos, letargo, somnolencia y desfallecimiento. Los efectos de la hipertermia incluyen: (a) incapacidad para percibir calor, (b) incapacidad para reconocer la necesidad de salir de la bañera, (c) inconsciencia de un peligro inminente, (d) daño al feto en mujeres embarazadas, (e) inhabilidad física para salir de la bañera y (f) pérdida del conocimiento con peligro de ahogarse.



ADVERTENCIA: Riesgo de hipertermia. Las personas bajo tratamiento médico o que padezcan de alguna condición médica deben consultar con un médico antes de utilizar una bañera de hidromasaje equipada con un calentador.



ADVERTENCIA: Riesgo de quemaduras. La temperatura del agua en la bañera no debe exceder los 104°F (40°C).

El calentador mantendrá automáticamente la temperatura del agua mientras la bañera de hidromasaje esté en funcionamiento, siempre y cuando la temperatura no sobrepase los 104°F (40°C). El calentador se apagará a temperaturas superiores.

El compartimiento de cables tiene un terminal de conexión a tierra para el equipo. Para reducir el riesgo de descarga eléctrica, este terminal se debe conectar a la conexión de tierra provista en el panel de suministro eléctrico con un conductor del mismo tamaño que los conductores del circuito que alimentan esta bañera de hidromasaje.

En el exterior de la bomba o control de esta unidad se incluye un conector de presión para permitir la conexión de un conductor de puesta a tierra entre esta unidad y el metal expuesto en las proximidades, tal como lo requieran las normas locales.

Información importante (cont.)

Use esta bañera de hidromasaje únicamente con el fin para el que se ha fabricado, tal como se explica en esta guía. No utilice accesorios que no estén recomendados por el fabricante.

No deje caer ni introduzca objetos en ninguna de las aberturas. Mantenga los objetos pequeños tales como los juguetes y accesorios de baño fuera de la bañera de hidromasaje cuando esté en funcionamiento.

No permita que esta unidad funcione sin la tapa protectora (tapadera) en la conexión de succión.

La bañera de hidromasaje debe conectarse solamente a un circuito protegido con un interruptor de circuito con pérdida a tierra (GFCI) o por un dispositivo de corriente residual (RCD). El instalador debe proveer el interruptor de protección GFCI o RCD, cuyo funcionamiento debe probarse de manera rutinaria. Para probar el interruptor de protección GFCI o RCD, oprima el botón de prueba (test). El interruptor de protección GFCI o RCD debe interrumpir la alimentación eléctrica. Oprima el botón (reset) de restablecer la alimentación eléctrica. Esto debe restablecer la alimentación eléctrica. Si el interruptor de protección GFCI o RCD no funciona de este modo, significa que está averiado. Si el interruptor de protección GFCI o RCD, interrumpe la alimentación eléctrica a la bañera sin haber oprimido el botón de prueba, significa que existe corriente a tierra y la posibilidad de una descarga eléctrica. No utilice esta bañera de hidromasaje. Desconecte la bañera de hidromasaje, y antes de usarla, haga que un representante de servicio autorizado solucione el problema.

Limpie el sistema de hidromasaje dos o más veces al mes, dependiendo del uso, tal como se describe en la sección "Limpieza del sistema" de esta guía.

El uso constante de productos de higiene personal que contengan aceites puede dañar los componentes plásticos de la bañera de hidromasaje. No utilice champús a base de productos vegetales ni aceites de baño.

La acción del hidromasaje puede hacer que una pequeña cantidad de líquidos para hacer burbujas, champú, jabón o aceite de baño espume en exceso. Por esta razón, no utilice estos productos durante el funcionamiento de la bañera de hidromasaje.

Cumple las normas de la FCC

ID de la FCC: N82-KOHLER001

Identificación de Canadá: 4554A-KOHLER001

Declaración de conformidad (Sección 15.19)

Este aparato cumple con la sección 15 de las Normas de la FCC y con la RSS-210 de la Industria del Canadá. El funcionamiento está sujeto a las dos condiciones siguientes:

1. Este aparato no debe causar interferencias perjudiciales, y
2. Este equipo debe aceptar cualquier interferencia recibida, incluyendo las interferencias que causen un funcionamiento no deseado.

Advertencia (Sección 15.21)

Cualquier modificación o cambio que no haya sido aprobado expresamente por la parte responsable de la conformidad puede anular el derecho de los usuarios a utilizar el producto.

Contenido

Información importante	1
Cumple las normas de la FCC	2
Gracias por elegir los productos Kohler	3
Su bañera de hidromasaje Kohler	3
Teclado iluminado	5
Funcionamiento	7
Control remoto	9
Cuidado y limpieza	10
Limpieza del sistema	10
Garantía	10
Garantía	11
Dé servicio al puerto efervescente	12
Procedimiento para resolver problemas	13
Piezas de repuesto	18

Gracias por elegir los productos Kohler

Gracias por elegir los productos de Kohler Co. Su producto de Kohler Co. refleja la verdadera pasión por el diseño, la mano de obra, la artesanía y la innovación que forman parte de Kohler Co. Estamos seguros que su confiabilidad y belleza excederán sus más altas expectativas, dándole satisfacción por años.

Toda la información que aparece en la guía está basada en la información más reciente disponible al momento de publicación. En Kohler Co. os esforzamos por alcanzar nuestra misión de mejorar el nivel del buen vivir de quienes disfrutan de nuestros productos y servicios. Nos reservamos el derecho de efectuar cambios en las características, embalaje o disponibilidad del producto en cualquier momento, sin previo aviso.

Dedique unos minutos para leer esta guía. Preste especial atención a las instrucciones de cuidado y limpieza.

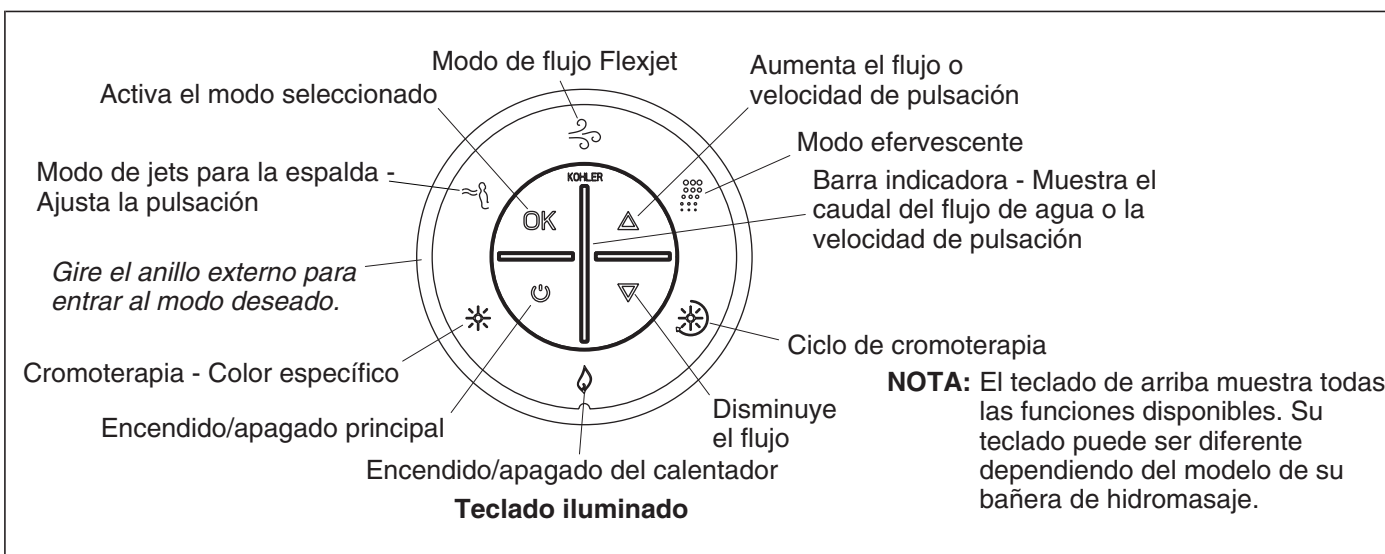
Su bañera de hidromasaje Kohler

Su nueva bañera de hidromasaje está diseñada para estimular, vigorizar y dar energía a su cuerpo con una terapia de hidromasaje reconfortante. La bañera de hidromasaje consta de los siguientes componentes:

- **Teclado iluminado** - De fácil alcance, le permite encender y apagar la bañera de hidromasaje. También le permite acceder a todos los modos de funcionamiento de la bañera de hidromasaje y regular el flujo de agua o velocidad de pulsación.
- **Control remoto** - Pone al alcance de su mano todas las funciones de la bañera para realzar aún más la experiencia del baño. Las funciones del control remoto son idénticas a las del teclado iluminado.
- **Motor bomba** - Proporciona una potencia variable y silenciosa para hacer circular el agua.
- **Jets ajustables** - Colocados de manera que optimizan el efecto del hidromasaje, los jets le permiten ajustar el flujo de aire y agua, así como controlar la dirección del flujo como usted lo desee.
- **Calentador** - Ayuda a mantener automáticamente la temperatura del agua a 104°F (40°C), se enciende cuando la bañera de hidromasaje está en marcha y se detiene cuando el motor de la bomba se apaga. El calentador se puede apagar utilizando el teclado iluminado en cualquier momento mientras la bomba esté funcionando.
- **Efervescencia** - Ocho puertos de efervescencia emiten miles de burbujas parecidas al champán que proporcionan una experiencia calmante y relajante.
- **Cromoterapia** - Promueve la relajación y proporciona un espectro completo de color. La cromoterapia se puede utilizar con todos los modos de funcionamiento, aun cuando la bomba no esté en marcha.
- **Jets para el cuello y almohada** - Los jets para el cuello, controlados con el teclado, entregan agua de masaje a la parte posterior del cuello. La almohada ofrece un lugar cómodo para apoyar la cabeza mientras se relaja. Para evitar que el agua salpique, un interruptor integral detiene la acción de los jets para el cuello si se quita la almohada durante el funcionamiento.

Su bañera de hidromasaje Kohler (cont.)

- **Jets para la espalda** - Los jets para la espalda, controlados con el teclado, entregan agua de masaje a la espalda. Los jets para la espalda pulsan, de dos en dos, desde la parte inferior de la bañera hacia la parte superior, tanto con flujo de agua como pulsación.



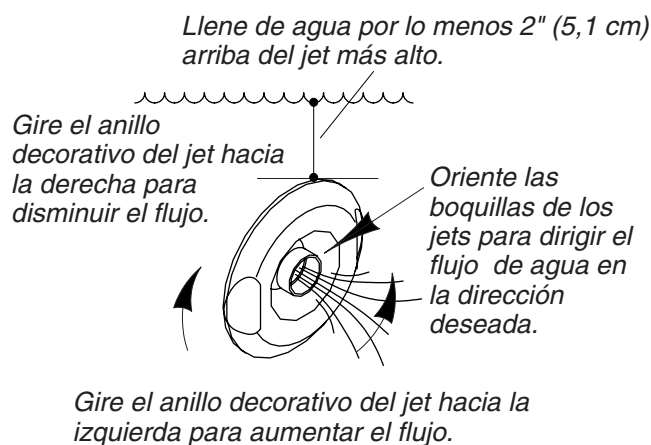
Teclado iluminado

Icono de encendido/apagado	Enciende y apaga la bomba de la bañera de hidromasaje. Los iconos iluminados en azul indican los modos/funciones disponibles. Los modos en funcionamiento se iluminarán en verde.
Color específico de cromoterapia	Gire el anillo externo para seleccionar este modo. Oprima OK, oprima la flecha hacia arriba o hacia abajo para seleccionar un color, luego oprima OK otra vez. Sólo uno de los dos teclados controla este modo.
Anillo externo	Gire el anillo externo al modo deseado. El modo seleccionado se encenderá de forma intermitente en azul.
Modo de jets para la espalda	Gire el anillo externo para seleccionar este modo. Presione OK, luego oprima la flecha hacia arriba/abajo para aumentar o disminuir la acción de pulsación. Gire el anillo externo al modo Flexjet, oprima OK para activar el modo, luego oprima la flecha hacia arriba o hacia abajo en el teclado para aumentar o disminuir el flujo de agua a los jets para la espalda y todos los demás modos activos.
OK	Activa el modo deseado.
Modo de flujo Flexjet	Gire el anillo externo para seleccionar este modo. Presione OK, luego oprima la flecha hacia arriba o hacia abajo para aumentar o disminuir el flujo de agua del jet.
Flecha hacia arriba	Aumenta el flujo de agua cuando el modo de flujo Flexjet está activado. Aumenta la velocidad de pulsación cuando el modo de los jets para el cuello o la espalda está activo.
Modo efervescente	Para seleccionar este modo, gire el anillo externo, luego oprima OK. La acción efervescente comenzará con el caudal de flujo de agua establecido la última vez que se usó el modo de flujo Flexjet. Oprima la flecha hacia arriba o hacia abajo para aumentar o disminuir el flujo de agua. Oprima OK mientras el modo efervescente esté parpadeando para así apagar los puertos efervescentes.
Barra indicadora	Muestra el caudal del flujo de agua en el modo de flujo Flexjet. Muestra la velocidad de pulsación en el modo de jets para el cuello o la espalda.
Ciclo de cromoterapia	Para seleccionar este modo, gire el anillo externo, luego oprima OK. Las luces de cromoterapia cambian de color automática y continuamente en el ciclo de ocho colores. Un ciclo de ocho colores tarda aproximadamente un minuto. Sólo uno de los dos teclados controla este modo.
Modo de jets para el cuello	Gire el anillo externo para seleccionar este modo. Presione OK, luego oprima la flecha hacia arriba/abajo para aumentar o disminuir la acción de pulsación. Gire el anillo externo al modo Flexjet, oprima OK para activar el modo, luego oprima la flecha hacia arriba o hacia abajo en el teclado para aumentar o disminuir el flujo de agua a los jets para la espalda y todos los demás modos activos.
Flecha hacia abajo	Disminuye el flujo de agua cuando el modo de flujo Flexjet está activo. Disminuye la velocidad de pulsación cuando el modo de los jets para el cuello o la espalda está activo.

Teclado iluminado (cont.)

Calentador

Se activa automáticamente cuando se selecciona el icono de encendido/apagado. Gire el anillo exterior hasta que el modo de calentador esté parpadeando, luego presione OK para apagar el calentador. Vuelva a presionar OK para volver a encender el calentador.



Funcionamiento

NOTA: Si la bañera de hidromasaje no funciona correctamente, consulte la sección "para resolver problemas" de esta guía antes de llamar a un representante de servicio calificado.

Bañera de hidromasaje

- Gire la guarnición del jet totalmente hacia la izquierda. Coloque las boquillas de los jets de manera que miren hacia abajo en la bañera.

AVISO: La temperatura del agua en la bañera no debe exceder los 104°F (40°C). El calentador mantendrá automáticamente la temperatura del agua mientras la bañera de hidromasaje esté en funcionamiento, siempre y cuando la temperatura no sobrepase los 104°F (40°C). El calentador se apagará a temperaturas superiores.

- Oprima el icono de encendido/apagado para encender la bomba de hidromasaje y el calentador. El agua fluirá a un caudal medio.
- Presione los iconos de las flechas hacia arriba/abajo para aumentar o disminuir el flujo de agua. La barra indicadora mostrará el caudal de flujo de agua.
- Ajuste los jets para obtener una mezcla óptima de aire/agua. Gire la guarnición del jet hacia la derecha para reducir el flujo o hacia la izquierda para aumentarlo. Si desea, oriente las boquillas de los jets para dirigir el flujo de agua y aprovechar al máximo la experiencia del hidromasaje.
- Si desea, apague el calentador presionando el icono del calentador. Oprima el botón por segunda vez para volver a encender el calentador.
- Oprima el icono de encendido/apagado una segunda vez para apagar la bomba de hidromasaje y el calentador.

NOTA: La bomba y el calentador se apagarán automáticamente tras 20 minutos de funcionamiento continuo. Si desea, oprima el icono de encendido/apagado para volver a activar la bomba y el calentador.

- Salga con cuidado de la bañera, luego abra el desagüe para vaciar la bañera de hidromasaje.

Efervescencia

- Gire el anillo exterior hasta que el icono de efervescencia esté parpadeando, luego oprima OK para activar los puertos de efervescencia. El caudal de flujo de agua se mantendrá con el ajuste anterior. Oprima OK mientras el modo efervescente esté parpadeando para así apagar los puertos efervescentes.

Cromoterapia

NOTA: El modo de cromoterapia se puede utilizar con todos los modos de funcionamiento, aun cuando la bomba no esté en marcha.

Funcionamiento (cont.)

- Gire el anillo exterior para seleccionar el modo de cromoterapia, luego oprima OK para activar las luces de cromoterapia. Oprima OK mientras está activado el modo de cromoterapia para apagar las luces de cromoterapia.
- Gire el anillo exterior para seleccionar la selección de color específico de cromoterapia, luego oprima OK. Utilice la flecha hacia arriba o hacia abajo para seleccionar el color deseado. Oprima OK mientras está activada la selección de color específico de cromoterapia para apagar las luces de cromoterapia.

Jets para el cuello

NOTA: Antes de activar los jets del cuello, verifique que la funda esté bien colocada en la almohada y que la almohada esté bien sujeta al cuerpo del jet para el cuello. Si la almohada no está instalada correctamente los jets para el cuello no funcionarán. El icono del jet para el cuello y la barra indicadora en el teclado parpadearán. Los jets para el cuello se reactivarán automáticamente cuando la almohada se instale correctamente.

- Gire el anillo exterior para seleccionar el modo de jets del cuello, luego oprima OK para activar los jets para el cuello. La acción de pulsación de los jets para el cuello comenzará a velocidad media. Presione la flecha hacia arriba o hacia abajo para ajustar la acción de pulsación.
- Gire el anillo externo hasta que el modo de flujo parpadee y oprima OK. Oprima la flecha hacia arriba o hacia abajo para ajustar el caudal de flujo de agua de los jets para el cuello.
- Oprima OK mientras esté activo el modo de los jets para el cuello para así apagarlo.

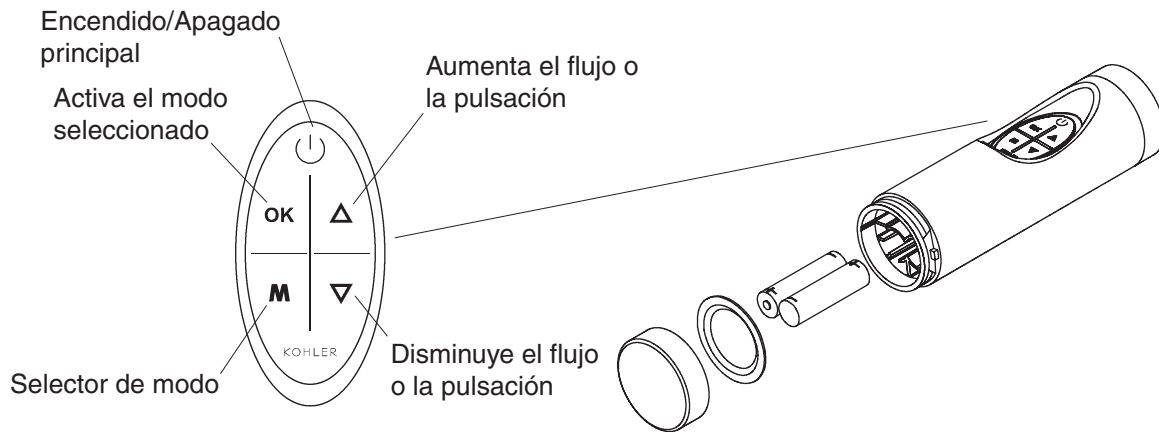
NOTA: Para activar o desactivar funciones mientras los jets para el cuello estén en marcha, gire el anillo externo hasta que la función deseada se ilumine intermitente y oprima "OK".

Jets para la espalda

- Gire el anillo externo hasta que el icono de jets para la espalda parpadee y oprima OK. La acción de pulsación de los jets para la espalda comenzará a velocidad media. Los jets para la espalda pulsán, de dos en dos, desde la parte inferior de la bañera hacia la parte superior, tanto con flujo de agua como pulsación.

NOTA: Si el nivel del agua desciende por debajo de los sensores del nivel de agua, los jets para la espalda se detendrán. El icono de los jets para la espalda y la barra indicadora en el teclado empezarán a parpadear. Los jets para la espalda se reactivarán automáticamente cuando el nivel del agua cubra los sensores.

- Para aumentar o disminuir la acción de pulsación de los jets para la espalda, en el teclado presione las flechas hacia arriba o hacia abajo, mientras el modo de jets para la espalda esté activo.
- Para aumentar o disminuir el caudal del flujo de los jets para la espalda, gire el anillo externo al modo Flexjet, oprima OK para activar este modo y en el teclado oprima las flechas hacia arriba o hacia abajo. Esto también aumenta o disminuye el flujo de todos los modos.
- Oprima OK mientras esté activo el modo de los jets para la espalda para así apagarlo.



Control remoto

Funcionamiento

El control remoto, cuyas funciones son idénticas al teclado, pone al alcance de su mano las funciones de la bañera de hidromasaje para realzar aún más la experiencia del baño. El control remoto es sumergible de modo que se puede usar en la bañera y flota en el agua.

Encendido/Apagado principal	Enciende y apaga la bañera de hidromasaje o el calentador.
Selector de modo	Funciona del mismo modo que el anillo externo del teclado. Cuando se presiona, uno de los modos parpadeará en el teclado. Si se vuelve a pulsar, el próximo modo (siguiendo el sentido de las manecillas del reloj) se iluminará de forma intermitente. Una vez que el modo deseado esté parpadeando, presione "OK" para activarlo.
OK	Activa el modo deseado.
Flecha hacia arriba	Aumenta el flujo de agua o la pulsación.
Flecha hacia abajo	Disminuye el flujo de agua o la pulsación.

Programe

NOTA: Normalmente no es necesario programar el control remoto. Sin embargo, es posible que sea necesario programar el control remoto para que funcione con el teclado si: (1) existe más de un dispositivo que utilice un control remoto en su casa o en las proximidades o (2) reemplaza su control remoto o control de la bomba.

- Encienda la bañera de hidromasaje.
- Apague todos los modos de funcionamiento. Espere aproximadamente un minuto hasta que el teclado se oscurezca por completo (modo en espera).
- En el teclado, oprima simultáneamente la flecha hacia arriba, la flecha hacia abajo y el botón "OK". El diodo emisor en la parte inferior de la barra indicadora del teclado comenzará a iluminarse intermitentemente.
- Mientras el diodo emisor inferior esté intermitente, oprima el botón "OK" del teclado. Una secuencia de luces se iluminará de arriba a abajo en la barra indicadora.
- Oprima cualquier botón del control remoto mientras la secuencia de luces esté activa. El programa se descargará y el teclado se oscurecerá. El teclado sólo responderá a este control remoto.

Pilas

- Desenrosque la tapa del extremo del control remoto, como se muestra.
- Introduzca dos pilas AAA.
- Apriete bien la tapa del extremo, asegurándose de que esté en contacto con el sello.

Cuidado y limpieza

Para obtener los mejores resultados, tenga presente lo siguiente al limpiar su producto KOHLER:

- Siempre pruebe la solución de limpieza en un área oculta antes de aplicarla a toda la superficie.
- Limpie con un trapo las superficies y enjuague completa e inmediatamente con agua después de aplicar el limpiador. Enjuague y seque las superficies cercanas que se hayan rociado.
- No deje por tiempo prolongado los limpiadores en las superficies.
- Utilice una esponja o trapo suave y húmedo. Nunca utilice materiales abrasivos como cepillos o estropajos de tallar para limpiar las superficies.

Para obtener información detallada de limpieza y los limpiadores a considerar, visite www.kohler.com/clean. Para solicitar información sobre el cuidado y la limpieza, llame al 1-800-456-4537.

Limpieza del sistema

NOTA: Limpie el sistema de hidromasaje dos o más veces al mes, dependiendo del uso.

- Gire los anillos decorativos de los jets totalmente hacia la derecha para eliminar la inducción de aire.
- Llene la bañera con agua tibia hasta que sobrepase 2" (5,1 cm) como mínimo por encima de los jets más altos o deje agua en la bañera cuando termine de usarla.
- Añada al agua 2 cucharaditas (10 ml) de detergente para lavaplatos automática que espume poco y 20 onzas (590 ml) de blanqueador para uso doméstico (5% - 6% hipoclorito sódico).
- Haga funcionar la bañera de hidromasaje de 5 a 10 minutos. Luego, apague y vacíe la bañera.
- Si lo desea, enjuague las superficies de la bañera con agua.
- Enjuague las superficies de los jets, la grifería, las agarraderas y el desagüe y seque con un paño suave.

Garantía

GARANTÍA LIMITADA DE UN AÑO

Se garantiza que los productos de plomería KOHLER están libres de defectos de material y mano de obra por un año a partir de la fecha de instalación.

Kohler Co., a su criterio, reparará, reemplazará o realizará los ajustes pertinentes en los casos en que la inspección realizada por Kohler Co. determine que dichos defectos ocurrieron durante el uso normal en el transcurso de un (1) año a partir de la fecha de la instalación. Kohler Co. no se hace responsable de los gastos de desinstalación o instalación. **El uso de limpiadores de inodoro que se colocan dentro del tanque anulará la garantía.**

Para obtener el servicio de garantía, comuníquese con Kohler Co. a través de su distribuidor, contratista de plomería o distribuidor a través de Internet, o escriba directamente a: Kohler Co., Attn.: Customer Care Center, 444 Highland Drive, Kohler, WI 53044, U.S.A. o llame al 1-800-4-KOHLER (1-800-456-4537) desde los Estados Unidos y Canadá, o al 001-800-456-4537 desde México, o visite www.kohler.com desde los Estados Unidos, www.ca.kohler.com desde Canadá, o www.mx.kohler.com en México.

TODA GARANTÍA IMPLÍCITA EN RELACIÓN A PRODUCTOS DE USO COMERCIAL, INCLUYENDO LA COMERCIALIZACIÓN E IDONEIDAD DEL PRODUCTO PARA UN USO DETERMINADO, SE LIMITA EXPRESAMENTE A LA DURACIÓN DE LA PRESENTE GARANTÍA. KOHLER CO. Y/O EL VENDEDOR NO SE HACEN RESPONSABLES POR CONCEPTO DE DAÑOS PARTICULARES, INCIDENTALES O INDIRECTOS. Algunos estados/provincias no permiten limitaciones en cuanto a la duración de una garantía implícita o a la exclusión o limitación de daños particulares, incidentales o indirectos, por lo que estas limitaciones y exclusiones pueden no aplicar a su caso. Esta garantía le otorga ciertos derechos legales específicos. Además, usted puede tener otros derechos que varían de estado a estado y provincia a provincia.

El presente documento constituye la garantía exclusiva por escrito de Kohler Co.

Garantía

KOHLER CO.

Al adquirir el producto, se recomienda verificar que todos los accesorios y componentes estén completos en la caja.

Kohler Co. garantiza que el material y la mano de obra de este producto están libres de defectos, por un (1) año, a partir de la fecha de compra que aparece en la factura o recibo.

1. Kohler Co. prestará servicio únicamente a los productos comercializados a través de sus distribuidores autorizados.
2. A fin de obtener el servicio de garantía, favor de presentar la factura de compra y la garantía correspondiente.
3. Kohler Co., a través de sus distribuidores autorizados, se compromete a reparar el producto defectuoso o a reemplazarlo por uno nuevo o equivalente (en caso de que el producto esté descontinuado) cuando no sea posible la reparación, sin ningún cargo al consumidor.
4. El tiempo de reparación no excederá de seis (6) semanas, a partir de la fecha de recepción del producto.
5. Se recomienda al consumidor que conserve el recibo o factura de compra como protección adicional, pues el mismo puede sustituir a la garantía, en caso de que exista discrepancia en cuanto a la validez de la misma.

EXCEPCIONES Y RESTRICCIONES

La garantía no tendrá validez en los siguientes casos:

1. Cuando el producto no se haya utilizado conforme a las instrucciones de uso y funcionamiento incluidas en el manual del usuario o en las instrucciones de instalación y cuando no se hayan observado las recomendaciones y advertencias allí contenidas.
2. Cuando el producto se haya modificado o desmantelado parcial o totalmente; o manipulado de manera negligente y, como consecuencia, haya sufrido daños atribuibles al consumidor, persona o herrajes no autorizados por Kohler Co.
3. Esta garantía no cubre los daños que resulten de desastres naturales, tales como incendios o casos de fuerza mayor, incluyendo inundaciones, terremotos, tormentas eléctricas, etc. Para obtener una lista de distribuidores cerca de usted y así hacer valer sus derechos bajo esta garantía, llame al 001-800-456-4537.

KOHLER CO., KOHLER, WI 53044 U.S.A.

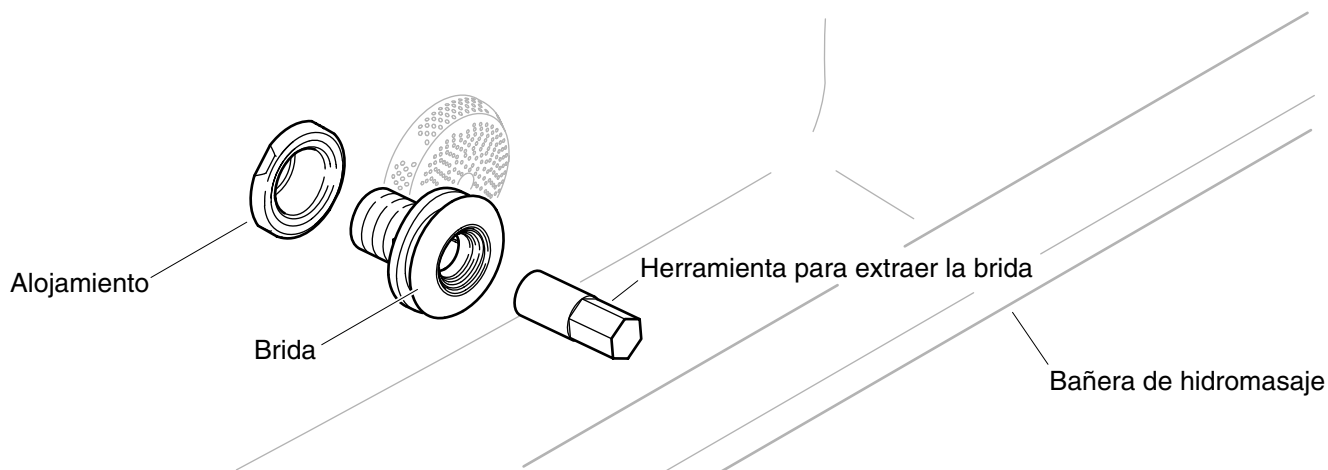
IMPORTADOR:

INTERNACIONAL DE CERÁMICA, S.A.B. DE C.V.

AV. CARLOS PACHECO NO. 7200

CHIHUAHUA, CHIH., MÉXICO C.P. 31060

TEL: 52 (14) 29-11-11



Dé servicio al puerto efervescente

AVISO: Esta sección es sólo para ayuda general. Un representante de servicio autorizado de Kohler o un electricista calificado debe resolver todos los problemas eléctricos. Para obtener servicio cubierto por la garantía, póngase en contacto con el vendedor o el distribuidor mayorista.

Retire el puerto

- Inserte la herramienta de extracción de brida (provista) en la abertura del puerto.
- Coloque su dedo pulgar contra la pared de la bañera mientras agarra con firmeza la herramienta de extracción de la brida.
- Jale la herramienta de extracción de la brida hasta que la brida salga del alojamiento.

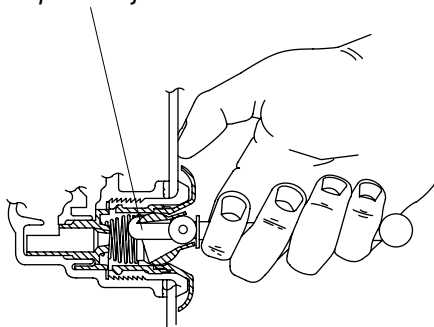
Vuelva a instalar el puerto

NOTA: No utilice fuerza cuando vuelva a instalar el puerto.

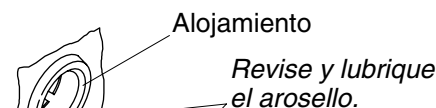
- Inserte con cuidado la brida en el alojamiento, luego empuje levemente y gire la brida hasta que encaje en su lugar.
- Verifique que el puerto esté instalado correctamente. Retire y vuelva a instalar, si es necesario.

Extraiga los jets

Inserte el gancho de la herramienta tal como se ilustra y saque el jet del alojamiento. Al realizar este paso el jet debe estar orientado hacia arriba.



Vuelva a instalar los jets



Deslice el arosello en el primer reborde del jet.

Inserte el jet en el alojamiento, empuje y gire el jet levemente hasta que encaje en su lugar.

Procedimiento para resolver problemas

AVISO: Esta sección es sólo para ayuda general. Un representante de servicio autorizado de Kohler o un electricista calificado debe resolver todos los problemas eléctricos. Para obtener servicio cubierto por la garantía, póngase en contacto con el vendedor o el distribuidor mayorista.

Extraiga los jets

- Coloque la boquilla de bola del jet hacia arriba. Esto asegurará que la herramienta para jets no se resbale.
- Coloque la herramienta para el jet (provista) con el gancho hacia arriba.
- Inserte la herramienta para jet en la abertura del jet y enganche la parte superior interna en la boquilla.
- Coloque su dedo pulgar contra la pared de la bañera mientras agarra con firmeza la herramienta para jet.
- Jale uniformemente la herramienta para jet hasta que el montaje del jet salga del alojamiento. Tenga cuidado de no perder el arosello (O-ring).

Vuelva a instalar los jets

NOTA: Para permitir que el jet gire fácilmente y funcione correctamente, el arosello (O-ring) debe estar: (1) bien colocado, (2) lubricado y (3) en buenas condiciones.

- Instale el arosello (O-ring) en el **primer reborde** del jet.
- Utilice el paquete del tubo de silicona (provisto) para lubricar el arosello con el fin de evitar un funcionamiento ruidoso del jet.
- Inserte con cuidado el jet en el alojamiento, luego empuje levemente y gire el jet hasta que encaje en su lugar. **No fuerce el jet.**
- Verifique que el jet esté instalado correctamente. El jet debe girar sin problemas en ambos sentidos. Retire y vuelva a instalar, si es necesario.

Tabla para resolver problemas

Procedimiento para resolver problemas (cont.)

Teclado y bomba

Síntomas	Causas probables	Acción recomendada
1. El teclado no se ilumina cuando se oprime el botón de encendido o se hace girar el anillo externo.	<p>A. El control no tiene alimentación eléctrica.</p> <p>B. El interruptor GFCI o RCD se ha disparado.</p> <p>C. El arnés de cables del teclado al control está suelto, desconectado o dañado.</p> <p>D. El teclado no funciona.</p> <p>E. El control no funciona.</p>	<p>A. Verifique el cableado y conecte el suministro eléctrico.</p> <p>B. Oprima el botón de restablecer el interruptor GFCI o RCD.</p> <p>C. Revise que los cables estén correctamente conectados. Reemplace el arnés de cables de ser necesario.</p> <p>D. Reemplace el teclado.</p> <p>E. Reemplace el control.</p>
2. El motor se enciende, pero no todos los jets funcionan.	<p>A. El jet está cerrado.</p> <p>B. El jet no está instalado correctamente.</p> <p>C. Los jets están obstruidos.</p>	<p>A. Gire la guarnición del jet hacia la izquierda para abrirlo.</p> <p>B. Vuelva a instalar el jet; revise que el arosello (O-ring) no esté dañado.</p> <p>C. Elimine la obstrucción.</p>
3. El teclado está iluminado, pero no responde a los botones o anillo externo.	<p>A. El programa del control está bloqueado.</p> <p>B. El arnés de cables del teclado al control está suelto, desconectado o dañado.</p> <p>C. El teclado no funciona.</p> <p>D. El control no funciona.</p>	<p>A. Oprima el botón de restablecer el interruptor GFCI o RCD.</p> <p>B. Revise que los cables estén correctamente conectados. Reemplace el arnés de cables de ser necesario.</p> <p>C. Reemplace el teclado.</p> <p>D. Reemplace el control.</p>
4. Al encender la unidad, la barra indicadora del teclado continúa en modo de búsqueda.	<p>A. El programa del control está bloqueado.</p> <p>B. El arnés de cables del teclado al control está suelto, desconectado o dañado.</p> <p>C. El teclado no funciona.</p> <p>D. El control no funciona.</p>	<p>A. Oprima el botón de restablecer el interruptor GFCI o RCD.</p> <p>B. Revise que los cables estén correctamente conectados. Reemplace el arnés de cables de ser necesario.</p> <p>C. Reemplace el teclado.</p> <p>D. Reemplace el control.</p>
5. El teclado está iluminado pero la bomba no se enciende.	<p>A. El cable eléctrico de la bomba al control está suelto, desconectado o dañado.</p> <p>B. La bomba no funciona.</p> <p>C. El control no funciona.</p>	<p>A. Revise que los cables estén correctamente conectados.</p> <p>B. Reemplace la bomba.</p> <p>C. Reemplace el control.</p>
6. El motor funciona pero la bomba no hace el cebado (se produce cavitación).	<p>A. La bomba se ha acuñado demasiado.</p> <p>B. Pequeña fuga de aire en la entrada de la bomba.</p> <p>C. El motor/bomba no funciona.</p> <p>D. El control no funciona.</p>	<p>A. Baje la bomba/control al nivel del subpiso.</p> <p>B. Apriete firmemente la(s) tuerca(s) del lado de admisión de la bomba.</p> <p>C. Reemplace el motor/bomba.</p> <p>D. Reemplace el control.</p>
7. La bomba se detiene antes de funcionar durante 18 minutos.	<p>A. El interruptor GFCI o RCD se ha disparado.</p> <p>B. La succión está obstruida.</p> <p>C. Los jets están obstruidos.</p> <p>D. El motor se ha sobrecalentado, activando el dispositivo de protección.</p>	<p>A. Identifique la causa de la falla y corrija. Oprima el botón de restablecer el interruptor GFCI o RCD.</p> <p>B. Elimine la obstrucción.</p> <p>C. Elimine la obstrucción.</p> <p>D. Verifique que no haya obstrucciones en la succión y/o jets. Elimine la obstrucción y deje enfriar el motor.</p>
8. La bomba no se apaga automáticamente después de 22 minutos.	<p>A. El temporizador de 20 minutos se ha desactivado inadvertidamente.</p>	<p>A. Consulte el manual de mantenimiento.</p>

Procedimiento para resolver problemas (cont.)

Teclado y bomba

Síntomas	Causas probables	Acción recomendada
9. La bomba no se apaga cuando se oprime el botón de encendido/apagado en el teclado.	<p>A. El teclado no funciona.</p> <p>B. El control no funciona.</p>	<p>A. Reemplace el teclado.</p> <p>B. Reemplace el control.</p>
10. La bomba funciona pero la opción de velocidad variable no funciona.	<p>A. El motor/bomba no funciona.</p> <p>B. El control no funciona.</p>	<p>A. Reemplace el motor/bomba.</p> <p>B. Reemplace el control.</p>
11. El agua de la bañera se enfría mientras la bomba está funcionando.	<p>A. La temperatura del agua sobrepasa los 104°F (40°C).</p> <p>B. El botón del calentador está apagado en el teclado.</p> <p>C. El cable del calentador al control está suelto, desconectado o dañado.</p> <p>D. El calentador no funciona.</p> <p>E. El control no funciona.</p>	<p>A. Deje enfriar el agua de la bañera.</p> <p>B. Encienda el calentador.</p> <p>C. Revise que los cables estén correctamente conectados.</p> <p>D. Reemplace el calentador.</p> <p>E. Reemplace el control.</p>
12. Funcionamiento ruidoso.	<p>A. Las cintas metálicas de la bomba no se han cortado.</p> <p>B. El arosello (O-ring) del jet está mal colocado o seco (ruidoso).</p>	<p>A. Corte las cintas metálicas con unas tijeras para chapa.</p> <p>B. Extraiga el jet, reemplace y lubrique el arosello (O-ring); vuelva a instalar el jet.</p>

Sistema de jets para la espalda

Síntomas	Causas probables	Acción recomendada
1. Los jets para la espalda no funcionan.	<p>A. La bomba de la bañera de hidromasaje no funciona.</p> <p>B. La válvula de mariposa de los jets para la espalda no se abre.</p> <p>C. No hay suficiente agua en la bañera de hidromasaje.</p> <p>D. El interruptor del accionador no funciona.</p> <p>E. No hay corriente eléctrica desde el motor bomba al control.</p> <p>F. El tubo del jet para la espalda está obstruido.</p> <p>G. El cable que conecta el interruptor al control está desconectado.</p>	<p>A. Encienda la bomba.</p> <p>B. Verifique que no haya conexiones o cables sueltos desde la caja de pulsación de los jets para la espalda hasta el control. Reemplace el control o la caja de pulsación de los jets para la espalda de ser necesario. Consulte al distribuidor/instalador.</p> <p>C. Llene la bañera de hidromasaje hasta que se cubran los sensores del nivel de agua.</p> <p>D. Reemplace el interruptor del accionador. Consulte al distribuidor/instalador.</p> <p>E. Verifique que no haya conexiones o cables sueltos desde el motor bomba al control. Consulte al distribuidor/instalador.</p> <p>F. Elimine la obstrucción.</p> <p>G. Vuelva a conectar o reemplace los cables del interruptor que emplean un enchufe modular. Consulte al distribuidor/instalador.</p>

Procedimiento para resolver problemas (cont.)

Sistema de jets para la espalda

Síntomas	Causas probables	Acción recomendada
2. Los jets para la espalda no pulsán.	<p>A. La caja de pulsación no funciona.</p> <p>B. El interruptor no funciona.</p> <p>C. El cable que conecta el interruptor al control está desconectado.</p>	<p>A. Verifique que no haya conexiones o cables sueltos desde la caja de pulsación hasta el control. Reemplace la caja de pulsación o el control de ser necesario. Consulte al distribuidor/instalador.</p> <p>B. Reemplace el interruptor. Consulte al distribuidor/instalador.</p> <p>C. Vuelva a conectar o reemplace los cables del interruptor que emplean un enchufe modular. Consulte al distribuidor/instalador.</p>

Sistema de jets para el cuello

Síntomas	Causas probables	Acción recomendada
1. El teclado no responde cuando el modo de los jets para el cuello está seleccionado.	A. El teclado no funciona.	A. Reemplace el teclado.
2. La bomba funciona pero los jets para el cuello no se encienden. La barra indicadora del teclado está parpadeando.	<p>A. La almohada no está instalada.</p> <p>B. El interruptor de láminas no funciona.</p> <p>C. El arnés de cables del jet para el cuello al control está suelto, desconectado o dañado.</p>	<p>A. Asegúrese de que la almohada esté correctamente colocada al cuerpo del jet para el cuello.</p> <p>B. Revise los cables del interruptor de láminas y replácelos si es necesario.</p> <p>C. Revise que los cables estén correctamente conectados. Reemplace el arnés de cables de ser necesario.</p>
3. La bomba funciona pero los jets para el cuello no se encienden. La barra indicadora del teclado NO está parpadeando.	<p>A. La tubería de los jets para el cuello está obstruida.</p> <p>B. El arnés de cables del jet para el cuello al control está suelto, desconectado o dañado.</p> <p>C. La válvula de mariposa no funciona.</p> <p>D. El control no funciona.</p>	<p>A. Desconecte las mangueras de los jets para el cuello y elimine la obstrucción.</p> <p>B. Revise que los cables estén correctamente conectados. Reemplace el arnés de cables de ser necesario.</p> <p>C. Reemplace la válvula de mariposa.</p> <p>D. Reemplace el control.</p>
4. El agua fluye por los jets para el cuello, pero éstos no pulsán.	<p>A. El arnés de cables que existe entre la caja de pulsación del jet para el cuello y el control está suelto, desconectado o dañado.</p> <p>B. La caja de pulsación no funciona.</p> <p>C. El control no funciona.</p>	<p>A. Revise que los cables estén correctamente conectados. Reemplace el arnés de cables de ser necesario.</p> <p>B. Reemplace la caja de pulsación.</p> <p>C. Reemplace el control.</p>

Procedimiento para resolver problemas (cont.)**Puertos efervescentes**

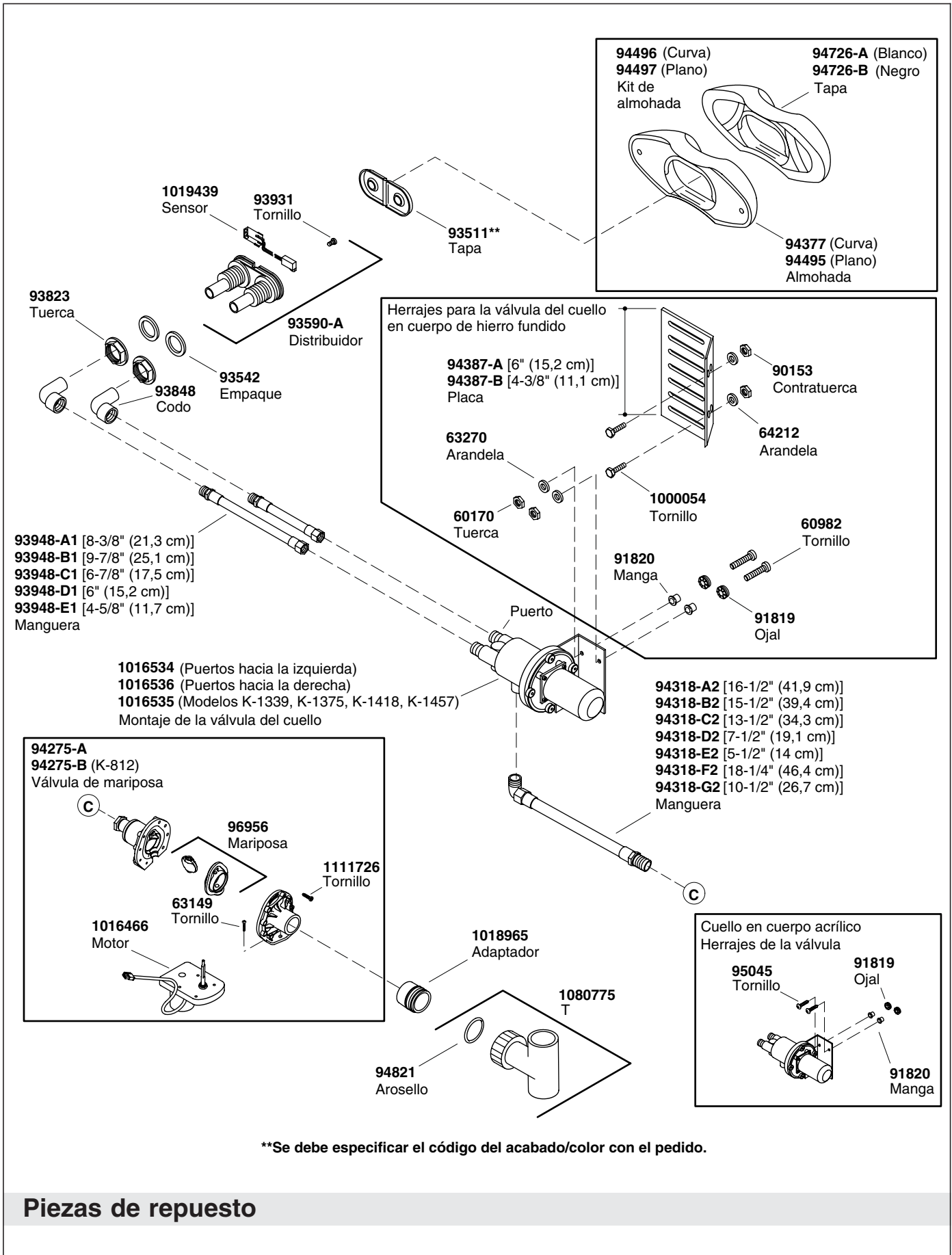
Síntomas	Causas probables	Acción recomendada
1. Los puertos efervescentes no funcionan.	A. La bomba de la bañera de hidromasaje no funciona. B. La válvula de mariposa no funciona. C. La bomba no funciona. D. El control no funciona.	A. Encienda la bomba. B. Reemplace la válvula de mariposa. C. Para resolver problemas, consulte el manual de mantenimiento. Consulte al distribuidor/instalador. D. Reemplace el control.
2. Los puertos efervescentes no burbujan.	A. La entrada de aire en la línea de succión está obstruida. B. El flujo de agua es demasiado bajo.	A. Elimine la obstrucción. B. Aumente el flujo de agua.

Luces de cromoterapia

Síntomas	Causas probables	Acción recomendada
1. Las luces de cromoterapia no funcionan.	A. Los cables/conexiones están flojos, desconectados o dañados. B. El control no funciona.	A. Revise que los cables estén correctamente conectados. Reemplace los cables de ser necesario. B. Reemplace el control.

Control remoto

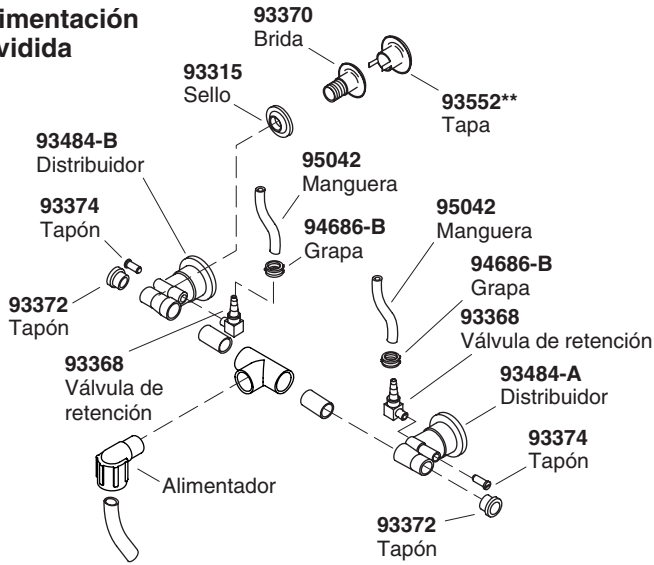
Síntomas	Causas probables	Acción recomendada
1. El control remoto no funciona.	A. Pilas mal instaladas o descargadas. B. La antena del arnés de cables está dañada. C. El control remoto no se ha programado correctamente. D. El control remoto no funciona. E. El control no funciona.	A. Reemplace las pilas. B. Reemplace el arnés de cables. C. Consulte la guía del usuario o el manual de mantenimiento. D. Reemplace el control remoto. E. Reemplace el control.



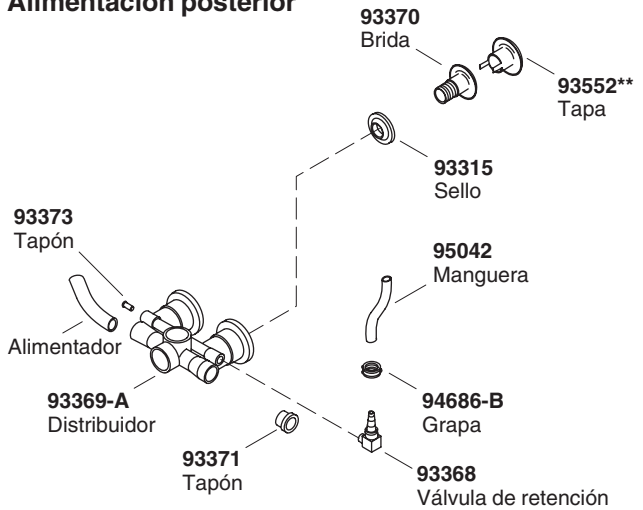
Piezas de repuesto

***Nota:** Todos los tubos son de 1/2" a menos que se indique lo contrario.

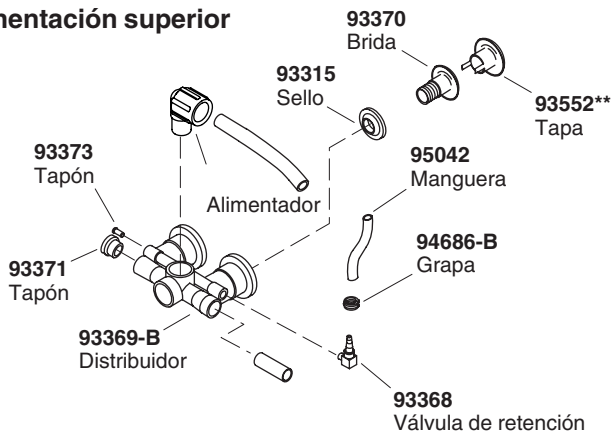
Alimentación dividida



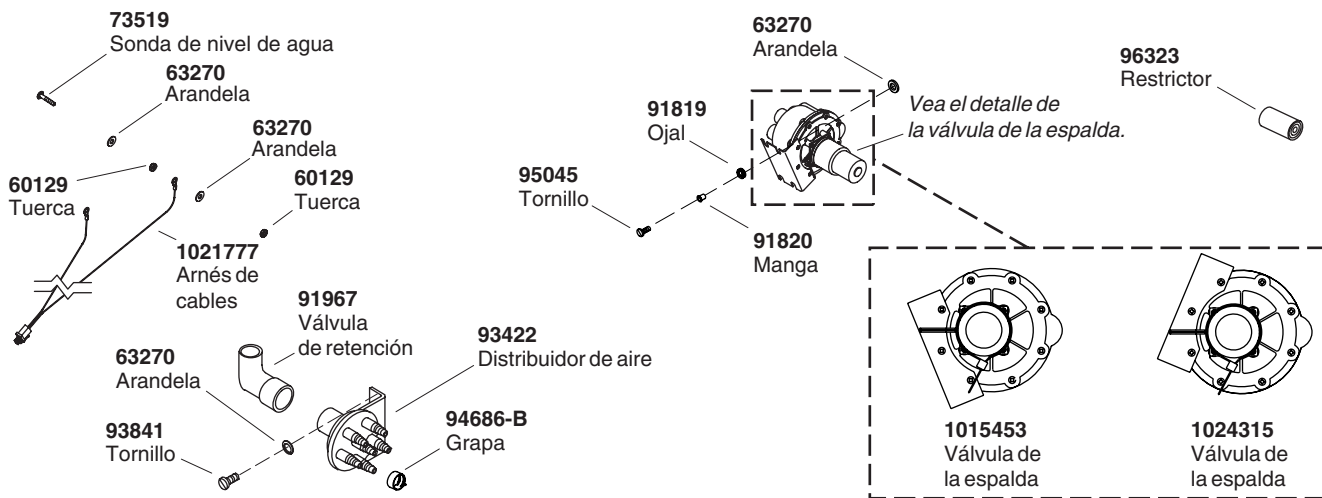
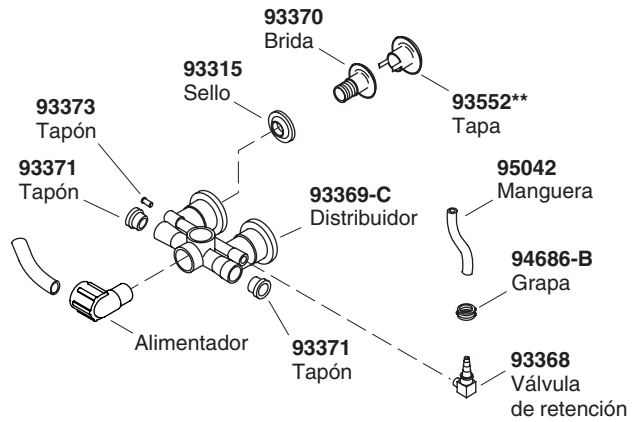
Alimentación posterior



Alimentación superior



Alimentación lateral



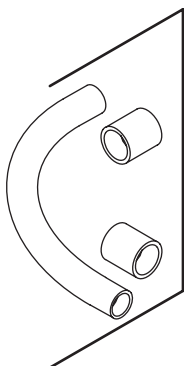
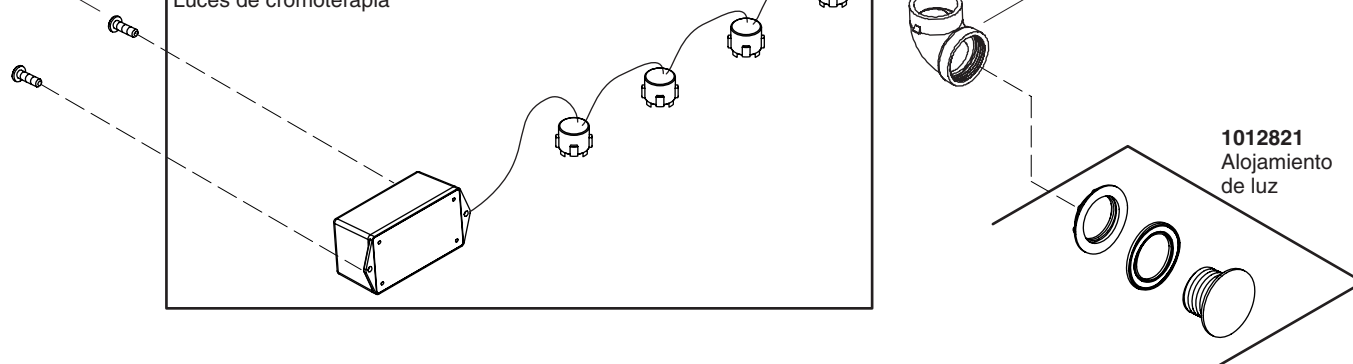
****Se debe especificar el código del acabado/color con el pedido.**

93841
Tornillo

1019933
Luces de cromoterapia

1010618
Codo

1012821
Alojamiento
de luz



93836(1/2")
93837(3/4")
93838(1")
93839(1-1/4")
94853(1-1/2")
Tubo (con acopladores)

1003065
Herramienta para extraer
la brida de succión

73518
Tapón

93685
Alojamiento

96708
Brida

65886(Acrílico y fibra
de vidrio)
60050(Hierro fundido)
Empaque

91967
Válvula de
retención

1023292
Tapa

1015008
Arnés de
cables

65054**
Tornillo

65226**
Tapón de la
tapa de succión

96895**(Acabados de color)
65061**(Acabados metálicos)
Tapa

1015017
Montaje de
enchufe/cables

Puertos efervescentes

1001878
Alojamiento

93315
Empaque

1035480**
Brida

93552**
Tapa de brida

96744
Herramienta para
extraer la brida

**Se debe especificar el código del acabado/color con el pedido.

1003065
Herramienta para extraer
la brida de succión



73518
Tapón



93685
Alojamiento



96708
Brida



65886 (Acrílico y fibra de vidrio)
60050 (Hierro fundido)
Empaque



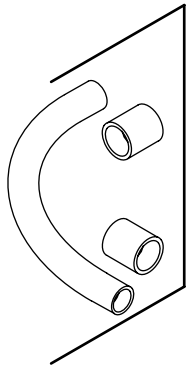
65054**
Tornillo



96895** (Acabados de color)
65061** (Acabados metálicos)
Tapa

65226**

Tapón de la
tapa de succión



93836 (1/2")
93837 (3/4")
93838 (1")
93839 (1-1/4")
94853 (1-1/2")
Tubo (con acopladores)

91967
Válvula
de retención



1086350
Llave de extracción
de bridas



67665
Tapón



67429
Brida



67889
Alojamiento del jet

65885 (Acrílico y fibra de vidrio)
67668 (Hierro fundido)
Empaque



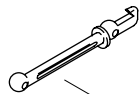
34353
Arosello



1045715-P
Paquete de
lubricante de
silicona



30739
Herramienta
del jet



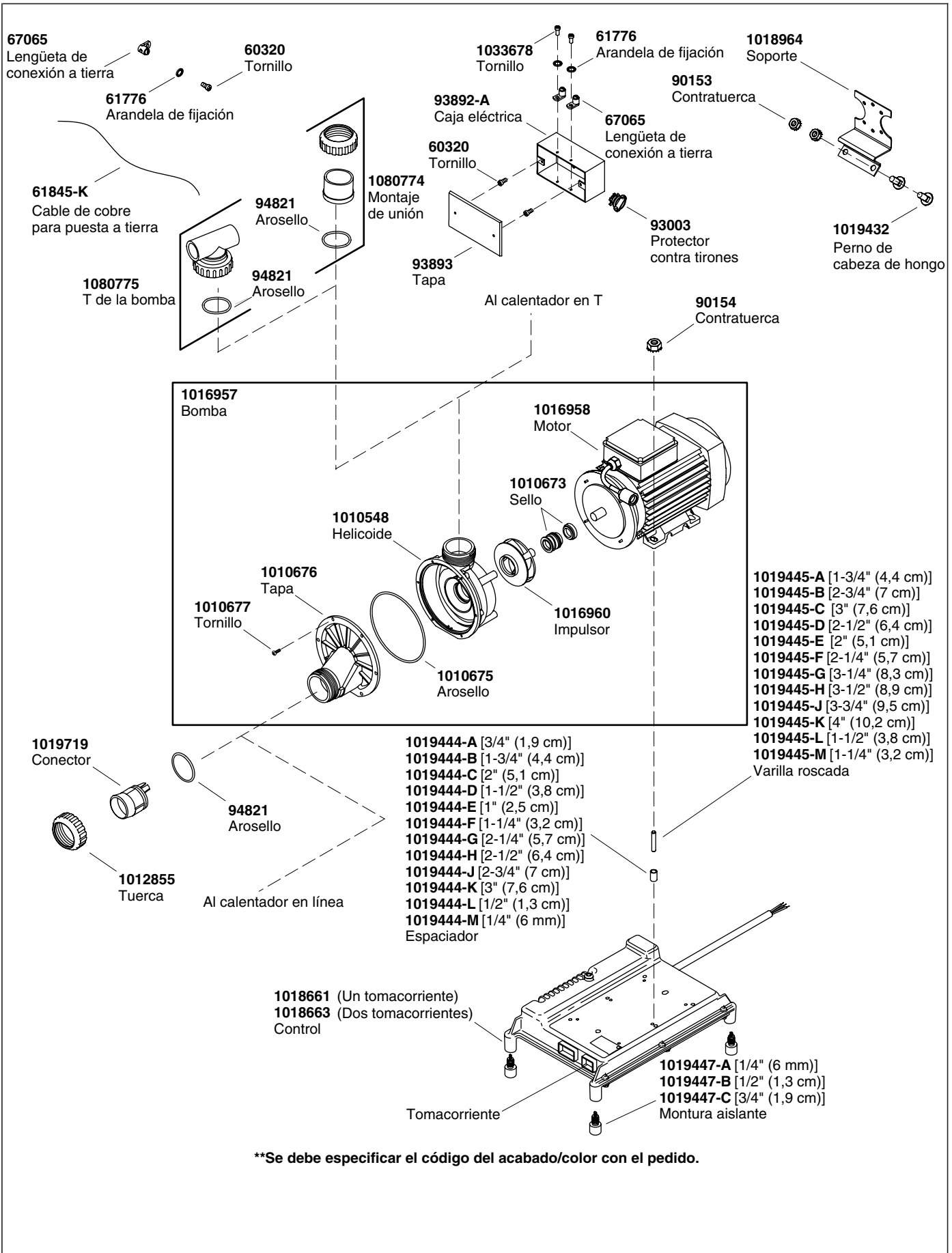
Un solo jet para bañeras de hidromasaje con 5 o menos jets

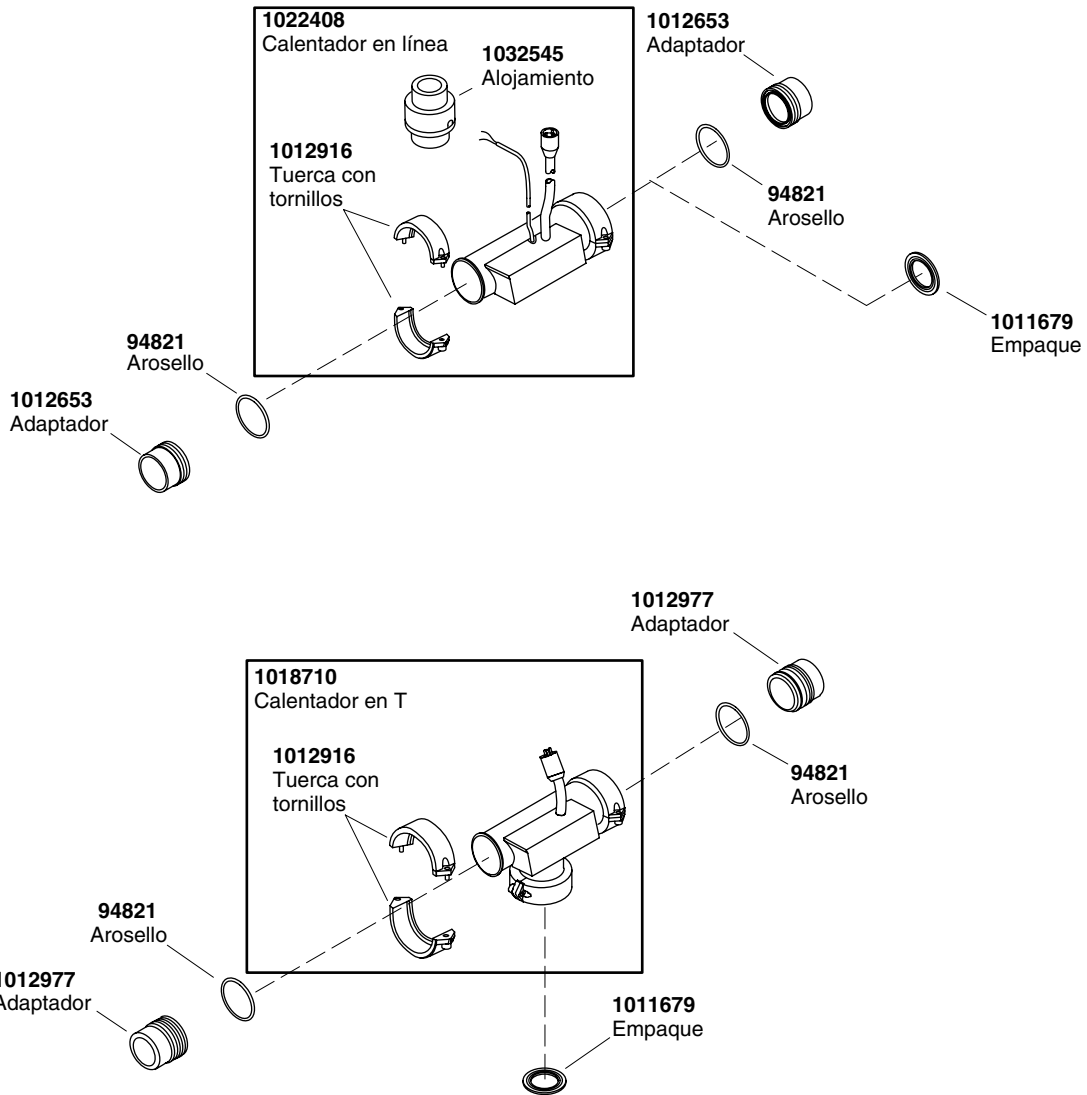
88532** (Acabados de color)
88531** (Acabados metálicos)
Jet

Un solo jet para bañeras de hidromasaje con 6 o más jets

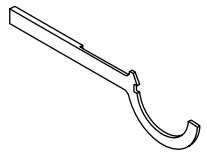
88530** (Acabados de color)
88529** (Acabados metálicos)
Jet

****Se debe especificar el código del acabado/color con el pedido.**





****Se debe especificar el código del acabado/color con el pedido.**



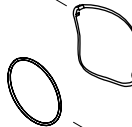
1023381
Llave

1020677
Empaque

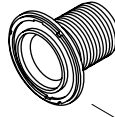


65157
Tuerca

1013453
Resorte



1013499
Alojamiento



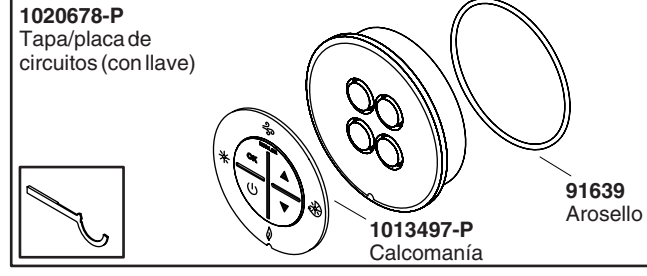
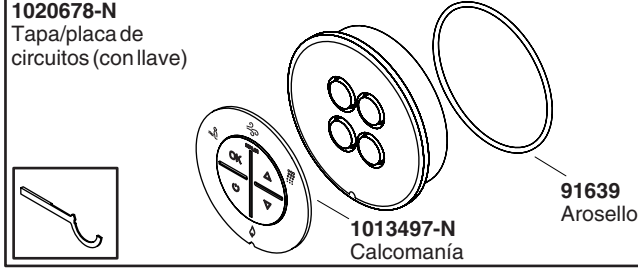
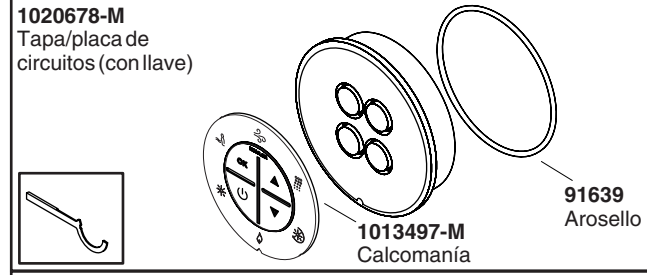
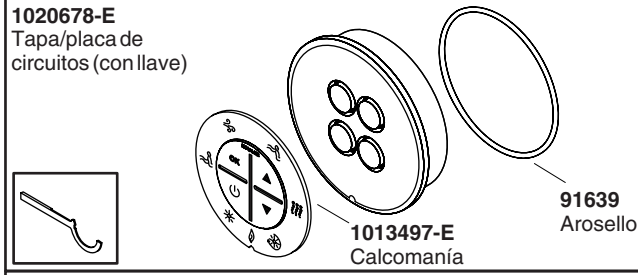
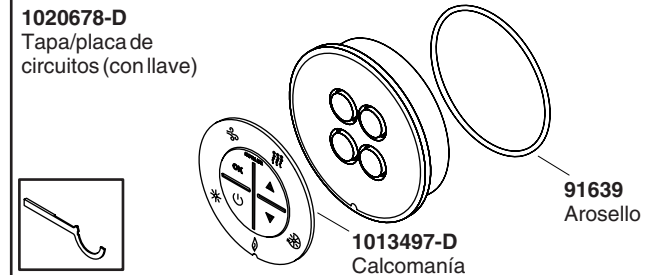
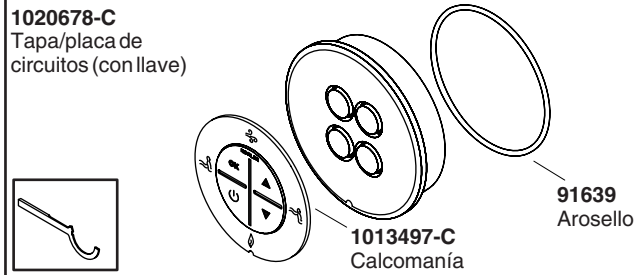
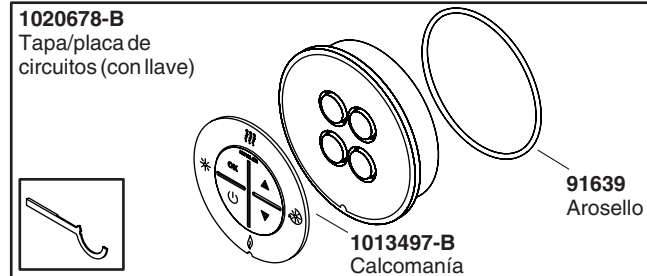
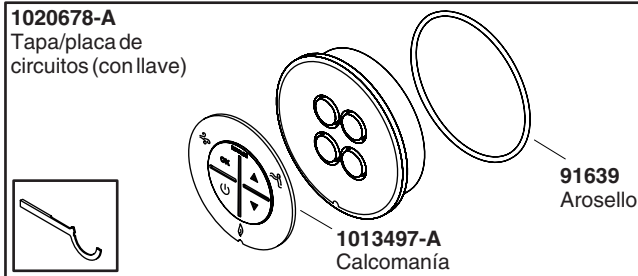
91639
Arosello



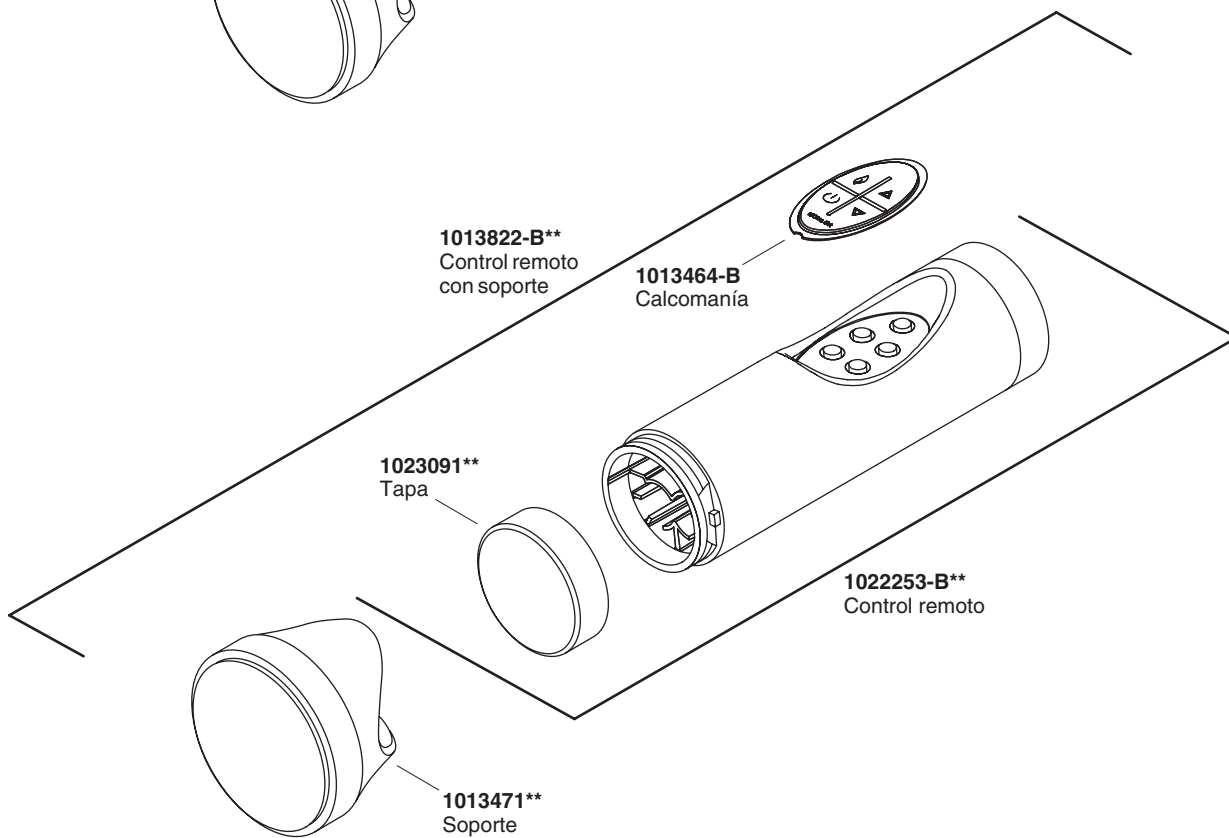
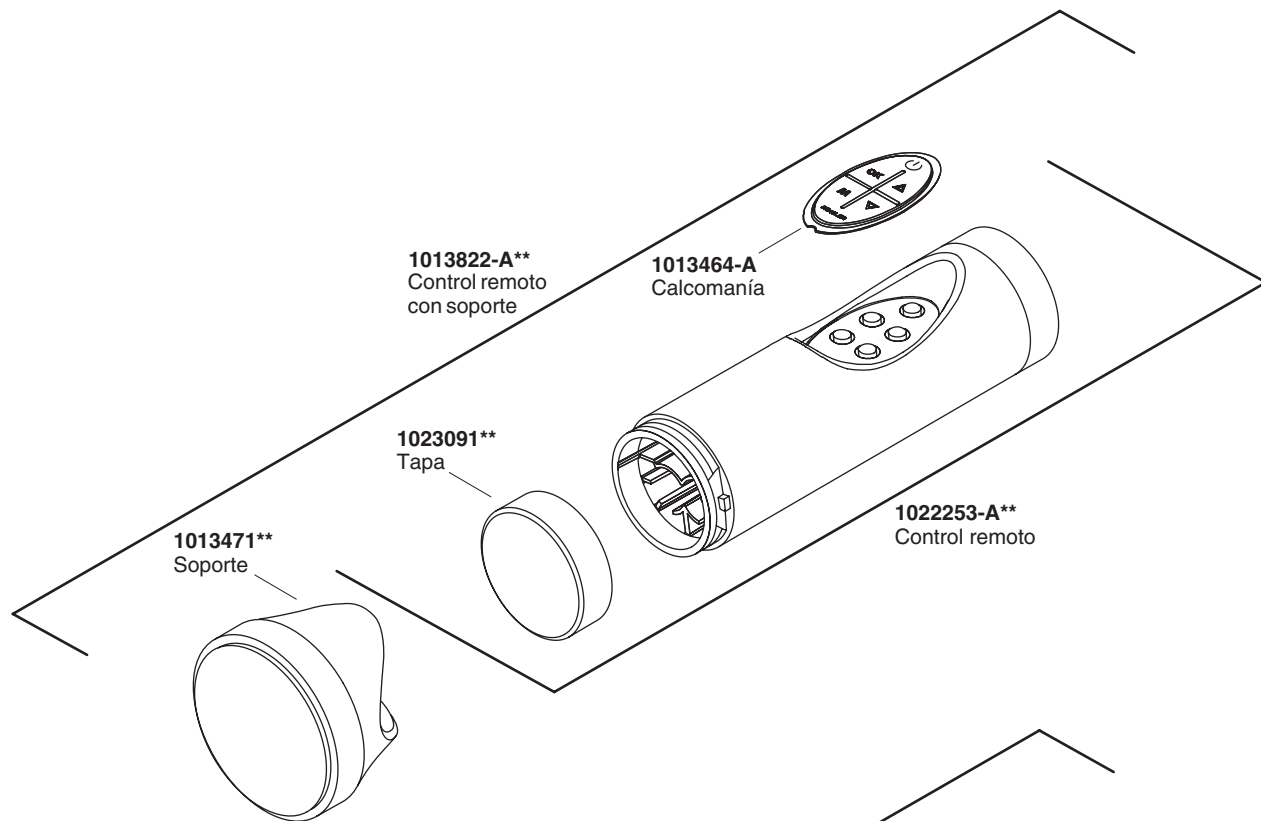
1013452**
Disco decorativo



Revise detenidamente el detalle de la calcomanía y de la tapa que se presenta abajo para identificar correctamente las piezas de repuesto.



**Se debe especificar el código del acabado/color con el pedido.



****Se debe especificar el código del acabado/color con el pedido.**

USA/Canada: 1-800-4KOHLER

México: 001-800-456-4537

kohler.com

THE BOLD LOOK
OF **KOHLER**®

©2009 Kohler Co.

1023236-5-C