

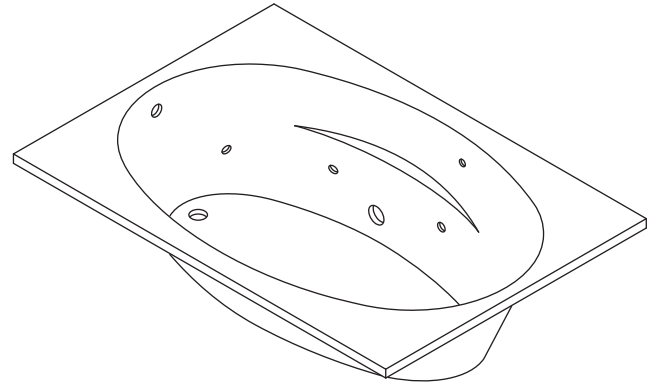
Features

- *ExoCrylic™*
- *Drop-in or three-wall alcove*
- *Six individually adjustable ProFlex® hydro-massage jets*
- *Pump with air switch and grounding-type plug-in cord*
- *In-line heater*
- *Molded lumbar support and armrests for comfort*
- *Optional K-9696 whirlpool trim kit in additional finishes*
- *Optional K-1284 removable apron*
- *60" (1524 mm) x 36" (914 mm) x 18-1/8" (460 mm)*

WHIRLPOOL BATH WITH HEATER

K-1139-H

ALSO K-1139-LH, K-1139-RH



Codes/Standards Applicable

Specified model meets or exceeds the following:

- *ASME A112.19.7/CSA B45.10*
- *CSA B45.5/IAPMO Z124*
- *UL 1795*

Colors/Finishes

- 0: White
- CP: Polished Chrome
- PB: Vibrant® Polished Brass
- Other: Refer to Price Book for additional colors/finishes

Specified Model

Model	Description	Colors/Finishes	
K-1139-H	Whirlpool bath with heater – drop-in (shown)	<input type="checkbox"/> 0	<input type="checkbox"/> Other _____
K-1139-LH	Whirlpool bath with heater – tile flange, left drain	<input type="checkbox"/> 0	<input type="checkbox"/> Other _____
K-1139-RH	Whirlpool bath with heater – tile flange, right drain	<input type="checkbox"/> 0	<input type="checkbox"/> Other _____

Recommended Accessories

K-7213	Clearflo bath cable drain with PVC tubing	<input type="checkbox"/> CP	<input type="checkbox"/> Other _____
K-7214	Clearflo bath cable drain without PVC tubing	<input type="checkbox"/> CP	<input type="checkbox"/> Other _____
K-11677	Adjustable trip lever drain	<input type="checkbox"/> CP	<input type="checkbox"/> PB

Optional Accessories

K-1284	Removable apron	<input type="checkbox"/> 0	<input type="checkbox"/> Other _____
K-9696	Jet trim kit (metal finishes)	<input type="checkbox"/> CP	<input type="checkbox"/> PB <input type="checkbox"/> Other _____

Product Specification

The ExoCrylic whirlpool bath shall be 60" (1524 mm) in length, 36" (914 mm) in width, and 18-1/8" (460 mm) in height. Whirlpool shall be for drop-in [K-1139-H] or three-wall alcove [K-1139-LH, K-1139-RH] installation. Whirlpool shall have six individually adjustable ProFlex hydro-massage jets, pump with air switch and grounding-type plug-in cord, and in-line heater. Whirlpool shall have molded lumbar support and armrests for comfort. Whirlpool shall feature optional K-1284 removable apron, and K-9696 whirlpool trim kit in additional finishes. Whirlpool bath shall be Kohler Model K-1139-____-____.

PROFLEX® 6036

Technical Information

Fixture*:	
Bathing well:	
Basin area, bottom	46" (1168 mm) x 15" (381 mm)
Basin area, top	55" (1397 mm) x 25" (635 mm)
Weight	60 lbs (27.2 kg)
To overflow:	
Water depth	14" (356 mm)
Capacity	57 gal (215.8 L)
* Approximate measurements for comparison only.	

Drop-in cutout	58-1/2" (1486 mm) x 34-1/2" (876 mm)
----------------	--------------------------------------

Pump:	V	Hz	A	
1-speed	120	60	7.5	
Heater:	kW	V	Hz	A
	1.5	120	60	12.5

Required Electrical Service

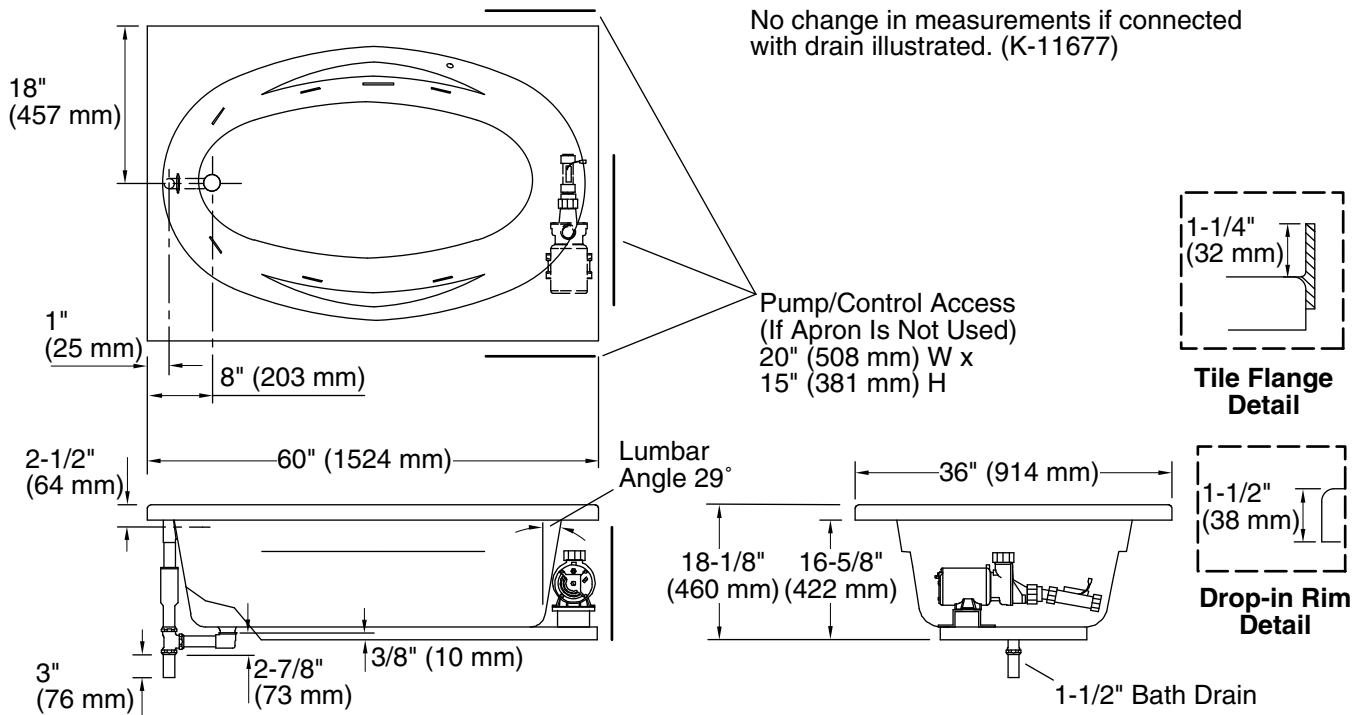
Two dedicated circuits required, each protected with Class A Ground-Fault Circuit-Interrupter (GFCI):	
Pump/control	120 V, 15 A, 60 Hz
Heater	120 V, 15 A, 60 Hz
Locate the outlets behind the whirlpool and within 24" (610 mm) of the pump.	

Installation Notes

Install this product according to the installation guide.

Floor support under whirlpool must provide for a minimum of 37 lbs/square foot (183 kg/square meter) loading.

The apron must be installed before the finished floor and wall materials are installed.



Product Diagram