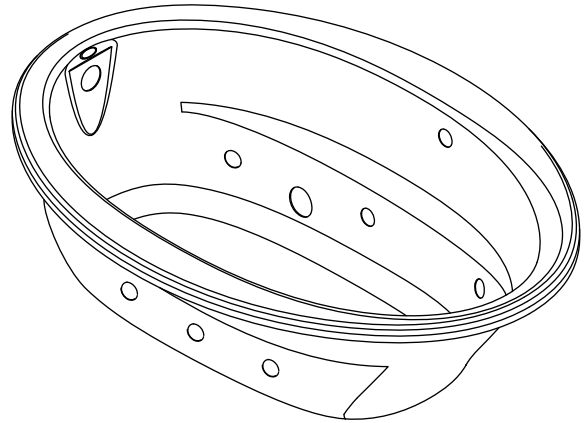


BATH WHIRLPOOL K-1162-HB

Features

- Acrylic
- Oval shape
- Drop-in
- 6 individually adjustable ProFlex® hydro-massage jets
- Pump with air switch and grounding-type plug-in cord
- Molded lumbar supports and armrests
- Optional K-9696 whirlpool trim kit in various finishes
- Custom pump locations
- Textured bottom surface
- 60" (1524 mm) x 42" (1067 mm) x 21" (533 mm)



Codes/Standards Applicable

Specified model meets or exceeds the following:

- ASME A112.19.7
- UL 1795
- ASTM E162
- ASTM E662
- CSA B45.5/IAPMO Z124

Colors/Finishes

- 0: White
- Other: Refer to Price Book for additional colors/finishes

Accessories

- CP: Polished Chrome
- PB: Vibrant® Polished Brass
- Other: Refer to Price Book for additional colors/finishes

Specified Model

Model	Description	Colors/Finishes	
K-1162-HB	Bath whirlpool (top view shown)	<input type="checkbox"/> 0	<input type="checkbox"/> Other _____

Recommended Accessories				
K-7213	Clearflo bath cable drain with PVC tubing	<input type="checkbox"/> CP		<input type="checkbox"/> Other _____
K-7214	Clearflo bath cable drain without PVC tubing	<input type="checkbox"/> CP		<input type="checkbox"/> Other _____
K-11677	Adjustable trip lever drain	<input type="checkbox"/> CP	<input type="checkbox"/> PB	

Optional Accessories				
K-9696	Jet trim kit (metal finishes)	<input type="checkbox"/> 0	<input type="checkbox"/> CP	<input type="checkbox"/> Other _____

Product Specification

The drop-in oval shaped bath whirlpool shall be made of acrylic. Product shall be 60" (1524 mm) in length, 42" (1067 mm) in width, and 21" (533 mm) in height. Product shall have 6 individually adjustable ProFlex hydro-massage jets, a pump with air switch and ground-type plug-in cord, and an in-line heater. Product shall have a textured bottom surface, custom pump locations, and molded lumbar supports and armrests. Product shall have optional K-9696 whirlpool trim kit in various finishes. Bath whirlpool shall be Kohler Model K-1162-HB-_____.

SUNWARD®

Technical Information

Fixture*:	
Bathing well:	
Basin area, bottom	43" (1092 mm) x 21-9/16" (548 mm)
Basin area, top	53-1/2" (1359 mm) x 32-1/8" (816 mm)
Weight	110 lbs (50 kg)
To overflow:	
Water depth	15" (381 mm)
Capacity	57 gal (215.9 L)
* Approximate measurements for comparison only.	

Included components:	
Cut-out template	1042556-7

Pump:	V	Hz	A	
1-speed	120	60	7.5	
Heater:	kW	V	Hz	A
	1.5	120	60	12.5

Minimum access panel pump/control:

20" (508 mm) W x 15" (381 mm) H	required
---------------------------------	----------

Required Electrical Service

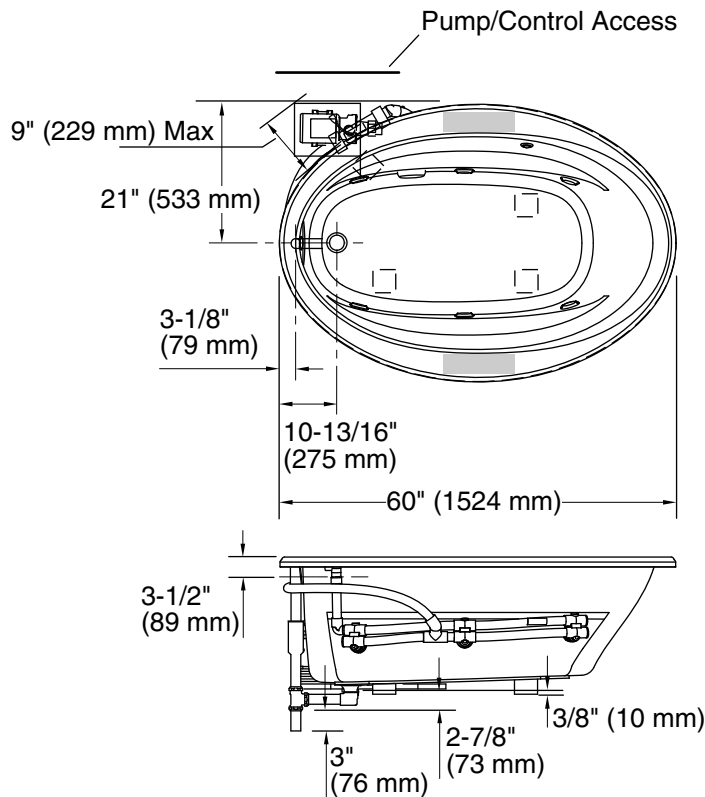
Two dedicated circuits are required, each protected with a Class A Ground-Fault Circuit-Interrupter (GFCI):	
Pump/control	120 V, 15 A, 60 Hz
Heater	120 V, 15 A, 60 Hz
Locate the outlets behind the whirlpool and within 24" (610 mm) of the pump and heater.	

Installation Notes

Install this product according to the installation guide.

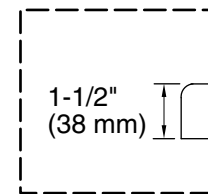
Floor support under whirlpool must provide for a minimum of 35 lbs/square foot (171 kg/square meter) loading.

The pump extends 9" (229 mm) beyond the edge of the rim. Modify the framing as needed.

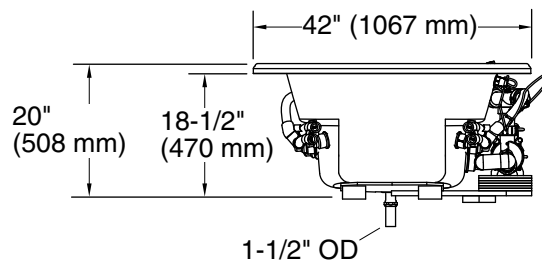


No change in measurements if connected with drain illustrated. (K-11677)

Recommended faucet area



Drop-In Rim Detail



Product Diagram