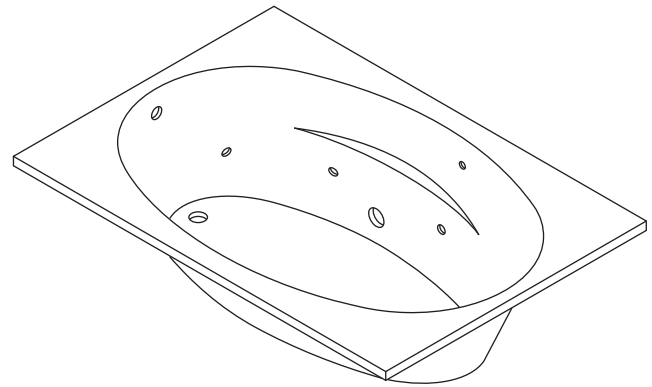


### CUSTOM WHIRLPOOL BATH K-1139-CN

#### Features

- *ExoCrylic™*
- *Drop-in installation*
- *Pump with air switch and grounding-type plug-in cord*
- *Six individually adjustable ProFlex® hydro-massage jets*
- *Molded lumbar support and armrests for comfort*
- *Optional K-9696 whirlpool trim kit in additional finishes*
- *Optional K-1491 removable bath pillow*
- *Optional K-1601 removable footstop*
- *Optional K-1284 removable apron*
- *60" (1524 mm) x 36" (914 mm) x 18-1/8" (460 mm)*



#### Codes/Standards Applicable

Specified model meets or exceeds the following:

- *ASME A112.19.7/CSA B45.10*
- *CSA B45.5/IAPMO Z124*
- *UL 1795*

#### Colors/Finishes

- 0: White
- Other: Refer to Price Book for additional colors/finishes

#### Accessories

- 0: White
- CP: Polished Chrome
- PB: Vibrant® Polished Brass
- Other: Refer to Price Book for additional colors/finishes

#### Specified Model

Model	Description	Colors/Finishes	
K-1139-CN	Custom whirlpool bath	<input type="checkbox"/> 0	<input type="checkbox"/> Other _____
<b>Recommended Accessories</b>			
K-7213	Cable drain with PVC tubing	<input type="checkbox"/> CP	<input type="checkbox"/> Other _____
K-7214	Cable drain without PVC tubing	<input type="checkbox"/> CP	<input type="checkbox"/> Other _____
K-11677	Trip lever drain	<input type="checkbox"/> CP	<input type="checkbox"/> PB
<b>Optional Accessories</b>			
K-1284	Removable apron	<input type="checkbox"/> 0	<input type="checkbox"/> Other _____
K-1491	Removable bath pillow (cont.)	<input type="checkbox"/> 0	<input type="checkbox"/> Other _____

#### Product Specification

The ExoCrylic whirlpool bath shall be 60" (1524 mm) in length, 36" (914 mm) in width, and 18-1/8" (460 mm) in height. Whirlpool shall be for drop-in installation. Whirlpool shall have six individually adjustable ProFlex hydro-massage jets, and pump with air switch and grounding-type plug-in cord. Whirlpool shall have molded lumbar support and armrests for comfort. Whirlpool shall feature optional K-1284 removable apron, K-1491 removable bath pillow, K-1601 removable footstop, and K-9696 jet trim kit in additional finishes. Whirlpool bath shall be Kohler Model K-1139-CN-\_\_\_\_\_.

# PROFLEX® 6036

## (cont.) Optional Accessories

K-1601	Removable footstop	<input type="checkbox"/> 0	<input type="checkbox"/> Other_____
K-9696	Jet trim kit (metal finishes)	<input type="checkbox"/> CP	<input type="checkbox"/> PB <input type="checkbox"/> Other_____

## Technical Information

Fixture*:	
Bathing well:	
Basin area, bottom	46" (1168 mm) x 15" (381 mm)
Basin area, top	55" (1397 mm) x 25" (635 mm)
To overflow:	
Water depth	14" (356 mm)
Capacity	57 gal (215.8 L)
Weight	55 lbs (24.9 kg)
* Approximate measurements for comparison only.	

Drop-in cutout	58-1/2" (1486 mm) x 34-1/4" (876 mm)
----------------	--------------------------------------

Pump:	V	Hz	A
1-speed	120	60	7.5

## Required Electrical Service

Dedicated circuit required, protected with Class A Ground-Fault Circuit-Interrupter (GFCI):

Pump/control 120 V, 15 A, 60 Hz

Locate the outlet behind the whirlpool and within 24" (610 mm) of the pump.

## Installation Notes

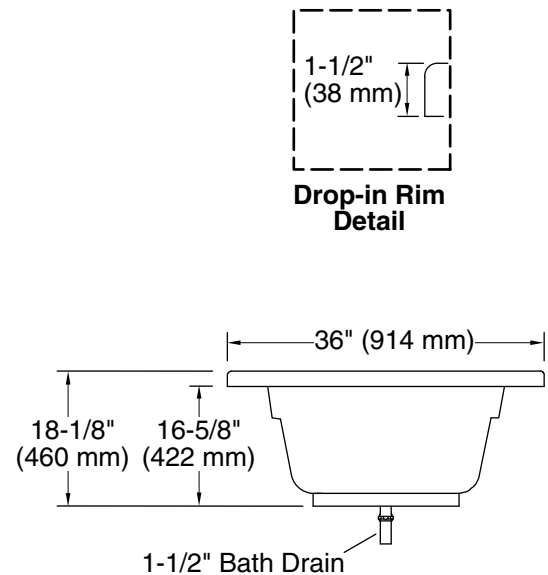
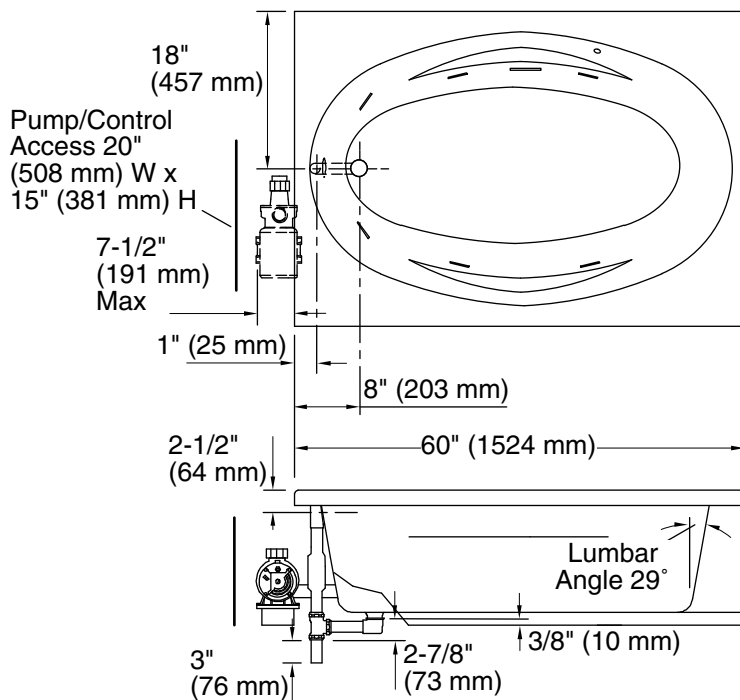
Install this product according to the installation guide.

Floor support under whirlpool must provide for a minimum of 37 lbs/square foot (181 kg/square meter) loading.

The apron must be installed before the finished floor and wall materials are installed.

Pump must be relocated to custom position at the time of installation. Provide adequate clearance.

No change in measurements if connected with drain illustrated. (K-11677)



## Product Diagram