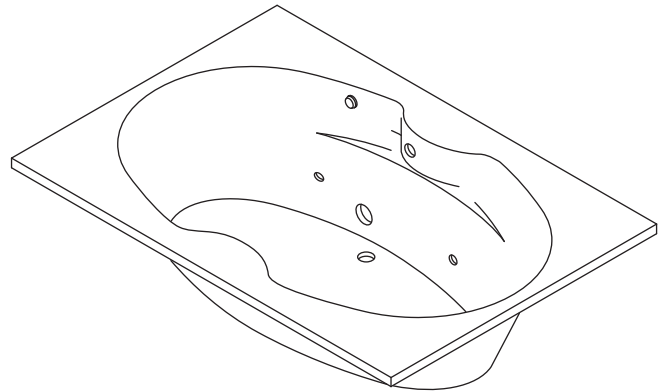


### CUSTOM WHIRLPOOL BATH K-1131-CE

#### Features

- *ExoCrylic™*
- *Drop-in installation*
- *Six individually adjustable ProFlex® hydro-massage jets*
- *Pump with air switch and grounding-type plug-in cord*
- *Molded lumbar support and armrests for comfort*
- *Optional K-1283 removable apron*
- *Optional K-9696 whirlpool trim kit in additional finishes*
- *Custom pump locations*
- *72" (1829 mm) x 42" (1067 mm) x 20-1/8" (511 mm)*



#### Codes/Standards Applicable

Specified model meets or exceeds the following:

- *ASME A112.19.7/CSA B45.10*
- *CSA B45.5/IAPMO Z124*
- *UL 1795*

#### Colors/Finishes

- 0: White
- Other: Refer to Price Book for additional colors/finishes

#### Accessories

- 0: White
- CP: Polished Chrome
- PB: Vibrant® Polished Brass
- Other: Refer to Price Book for additional colors/finishes

#### Specified Model

Model	Description	Colors/Finishes		
K-1131-CE	Custom whirlpool bath	<input type="checkbox"/> 0	<input type="checkbox"/> Other_____	
<b>Recommended Accessories</b>				
K-7213	Clearflo bath cable drain with PVC tubing	<input type="checkbox"/> CP		<input type="checkbox"/> Other_____
K-7214	Clearflo bath cable drain without PVC tubing	<input type="checkbox"/> CP		<input type="checkbox"/> Other_____
K-11677	Adjustable trip lever drain	<input type="checkbox"/> CP	<input type="checkbox"/> PB	
<b>Optional Accessories</b>				
K-1283	Removable apron	<input type="checkbox"/> 0		<input type="checkbox"/> Other_____
K-9696	Jet trim kit (metal finishes)	<input type="checkbox"/> CP	<input type="checkbox"/> PB	<input type="checkbox"/> Other_____

#### Product Specification

The ExoCrylic whirlpool bath shall be 72" (1829 mm) in length, 42" (1067 mm) in width, and 20-1/8" (511 mm) in height. Whirlpool shall be for drop-in installation. Whirlpool shall have six individually adjustable ProFlex hydro-massage jets, and pump with air switch and grounding-type plug-in cord. Whirlpool shall have custom pump locations and molded lumbar support and armrests for comfort. Whirlpool shall feature optional K-1283 removable apron and K-9696 whirlpool trim kit in additional finishes. Whirlpool bath shall be Kohler Model K-1131-CE-\_\_\_\_\_.

# PROFLEX® 7242

## Technical Information

Fixture*:	
Bathing well:	
Basin area, bottom	53" (1346 mm) x 26" (660 mm)
Basin area, top	65" (1651 mm) x 34" (864 mm)
Weight	70 lbs (31.8 kg)
To overflow:	
Water depth	15" (381 mm)
Capacity	78 gal (295.3 L)
* Approximate measurements for comparison only.	

Drop-in cutout	70-1/2" (1791 mm) x 40-1/2" (1029 mm)
----------------	---------------------------------------

Pump:	V	Hz	A
1-speed	120	60	7.5

## Required Electrical Service

Dedicated circuit required, protected with Class A Ground-Fault Circuit-Interrupter (GFCI):	
Pump/control	120 V, 15 A, 60 Hz
Locate the outlet behind the whirlpool and within 24" (610 mm) of the pump.	

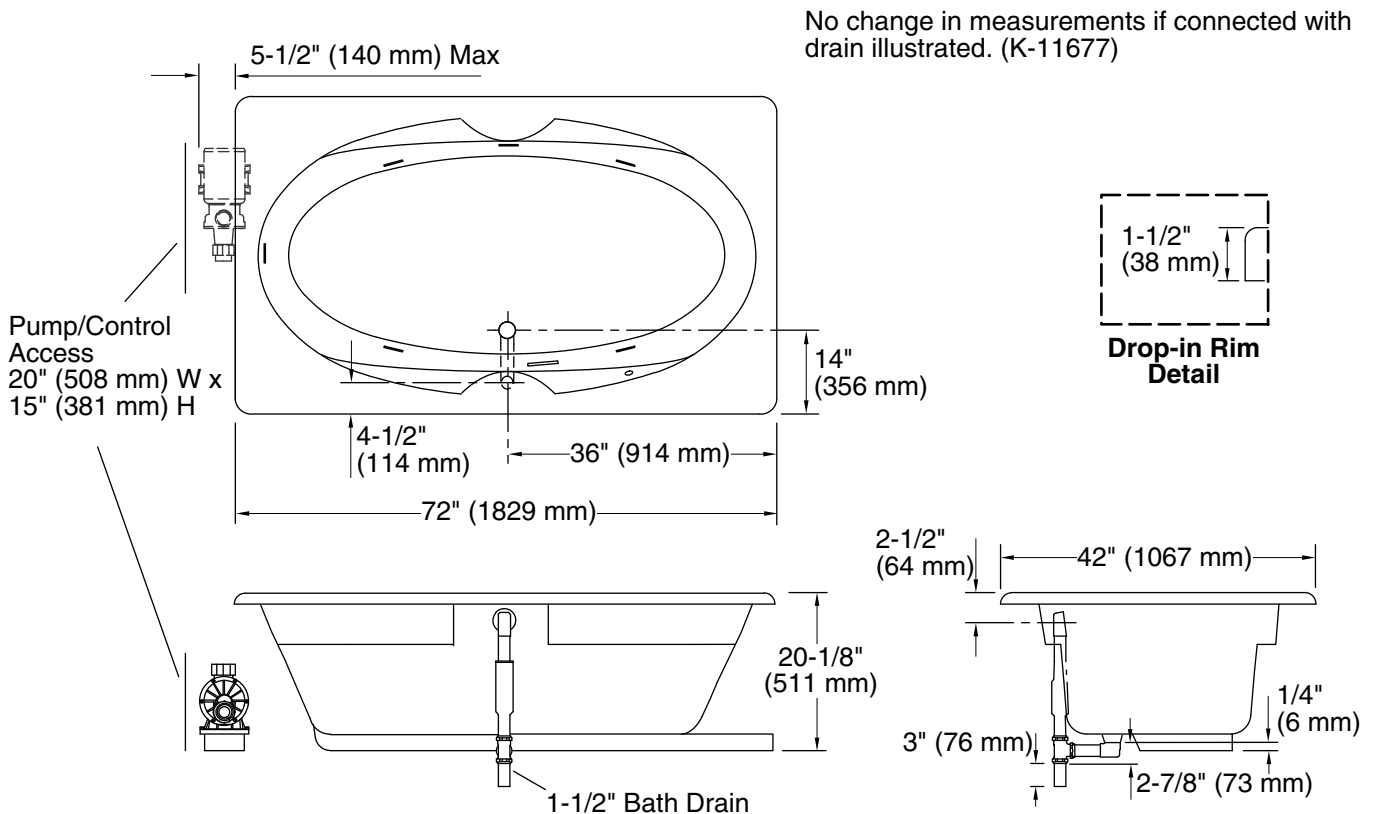
## Installation Notes

Install this product according to the installation guide.

Floor support under whirlpool must provide for a minimum of 36 lbs/square foot (174 kg/square meter) loading.

The apron must be installed before the finished floor and wall materials are installed.

Pump must be relocated to custom position at the time of installation. Provide adequate clearance.



## Product Diagram