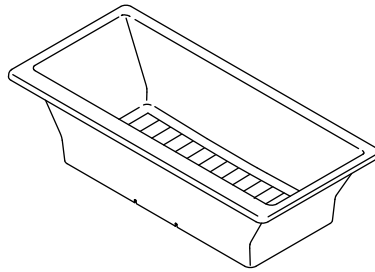


Installation and Care Guide

Drop-In / Under-mount Bath

K-817, K-892

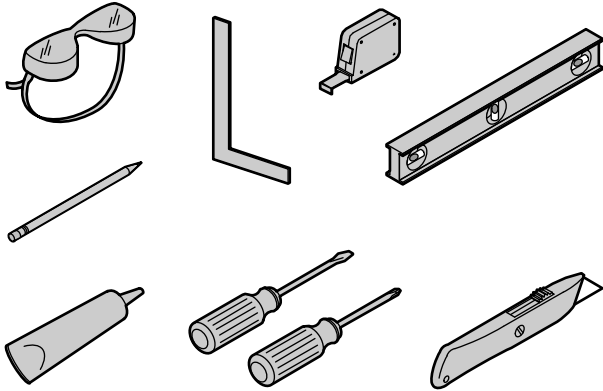


Record the model number for reference:
Enregistrer le numéro du modèle pour référence:
Apunte el número de modelo para referencia:

Français, page "Français-1"
Español, página "Español-1"

THE BOLD LOOK
OF **KOHLER**®

Tools



Plus:

All Installations

- Conventional woodworking tools and materials
- Drop cloth
- 2x4s or 2x6s
- Water-Resistant Deck Material
- Rags
- Metal Shims
- Finished Material

Undermount Installations

- Template
- Masking tape
- File
- Jigsaw
- Router
- Weights

Before You Begin



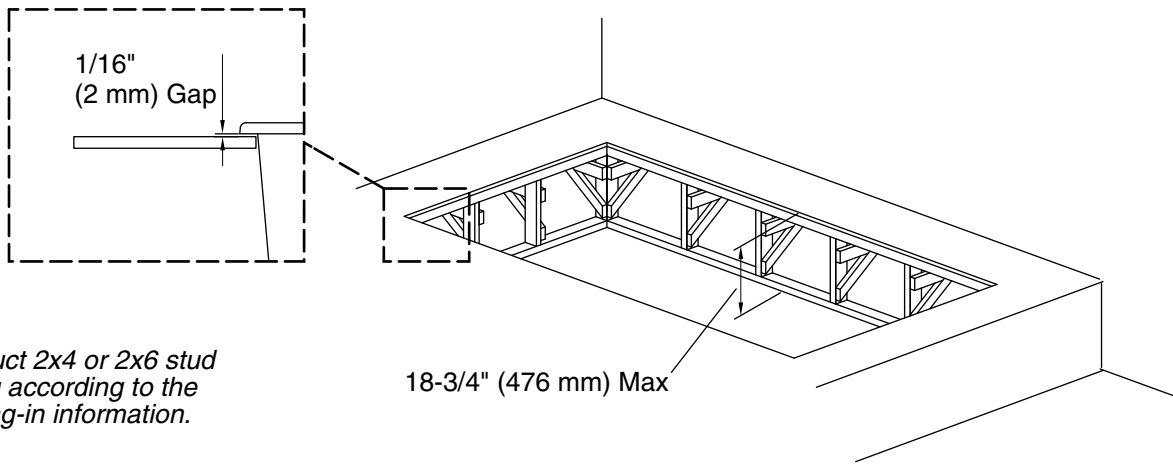
WARNING: Risk of personal injury. Wear personal protective equipment and obtain sufficient help to carefully lift or move the bath. Cast iron baths are extremely heavy. If the cast iron bath is not lifted properly, personal injury may occur.



CAUTION: Risk of property damage. When planning the framing, take into consideration the height of the bath **with** the feet. The bath must be supported by the feet only to avoid property damage. **Do not support the bath by the framing or bath rim.**

NOTICE: This product requires a K-7271 drain (brass pipe) or a K-7272 drain (PVC pipe) for proper installation.

- Observe all local plumbing and building codes.
- Before moving the bath, carefully plan the installation area. This bath is heavy and will not easily fit through doorways.
- Unpack and inspect the bath for damage. Return the bath to the carton until installation.
- Ensure proper access to final plumbing connections.
- These instructions are for both freestanding and drop-in installations. Follow the instructions that apply to your particular installation.
- This bath conforms to ASME Standard A112.19.1/CSA B45.2. All dimensions are nominal.



1. Prepare the Framing

NOTICE: Measure your product for site preparation. Visit the product page at www.kohler.com for more information.

Framing Considerations



CAUTION: Risk of property damage. When planning the framing for the height of the bath, take into consideration the height of the bath **with** the feet. **Do not support the bath by the framing or bath rim.**

- When planning the framing, take into consideration the thickness of the water-resistant deck material and finished material.
- If a deck-mount faucet and valving are planned, ensure that adequate space is available for their installation.
- An access panel is recommended to simplify future maintenance to plumbing.

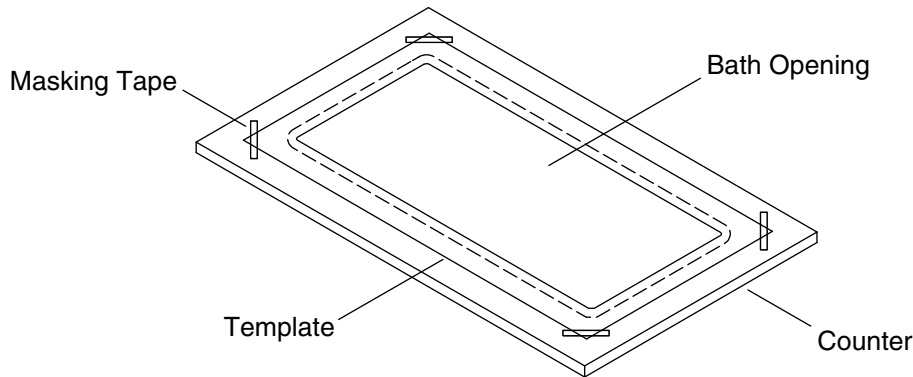
NOTICE: To ensure the bath rim running the length of the bath will be used as intended:

- Ensure a 1/16" (2 mm) gap will exist between the finished material and the underside of the bath rim.
- Allow a minimum of 2" (51 mm) of clearance between the edge of the bath rim and the finished wall.

Prepare the Site

NOTICE: Install to a level subfloor that is adequately supported.

- Install a level subfloor. Adjust for level, if necessary.
- Construct 2x4 or 2x6 stud framing designed for your particular installation.
- Position the plumbing. Cap the supplies and check for leaks.



2. Prepare the Counter – Under-mount Only

- With the edges of the template (provided) parallel with the edges of the counter, affix the template to the counter using masking tape.

NOTE: A counter with radius edges is recommended.

- Determine the preferred edge treatment for the counter. Consult with your local counter fabricator for instructions on cutting the counter edges properly.
- Using the proper cutting method for your counter type, cut along the edge of the template cutout line.
- Remove the template when cutting is complete.
- Smooth the edge of the counter as needed.
- Carefully position the counter on top of the bath to ensure correct fit and appearance. Adjust as necessary.



CAUTION: Risk of property damage. Braces must be installed to support the weight of the counter from below. Do not rely on the bath alone to support this weight. Refer to any instructions supplied with the counter for proper bracing installation. If braces are not installed, the counter may flex and possibly damage the bath.

- Using 2x4s or other bracing material, add braces (required) to the underside of the counter.

3. Prepare the Plumbing

NOTE: For through-the-floor drain installations: A drain hole will need to be cut to accommodate the drain connections. **For above-the-floor drain installations:** A hole will not need to be cut.

- Position the plumbing.
- Cap the supplies and check for leaks.

4. Prepare the Bath

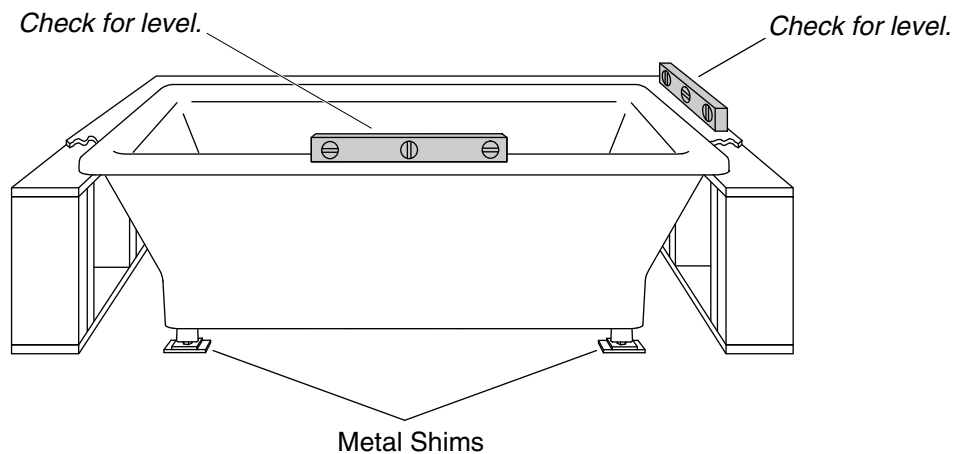


WARNING: Risk of personal injury. Wear personal protective equipment and obtain sufficient help to carefully lift or move the bath. Cast iron baths are extremely heavy. If the cast iron bath is not lifted properly, personal injury may occur.

- Place protective floor covering or throw rug near the installation area. This will prevent damage to the floor and bath when the bath is set down.
- With help, remove the bath from its carton and place it on top of the protective floor covering.

Prepare the Bath (cont.)

- Attach the drain to the bath according to the drain manufacturer's instructions. **Do not connect the trap at this time.**
- Place a clean drop cloth in the bottom of the bath. This will prevent the surface of the bath from scratching during the installation process.



5. Install the Bath



WARNING: Risk of personal injury. Wear personal protective equipment and obtain sufficient help to carefully lift or move the bath. Cast iron baths are extremely heavy. If the cast iron bath is not lifted properly, personal injury may occur.

NOTE: The illustration above shows a drop-in bath. The installation instructions apply for both the drop-in and under-mount bath.

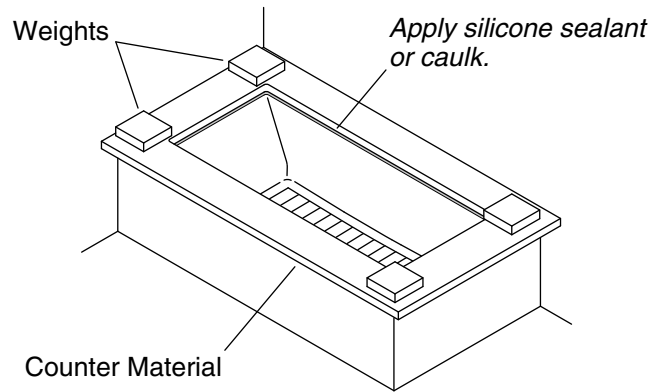
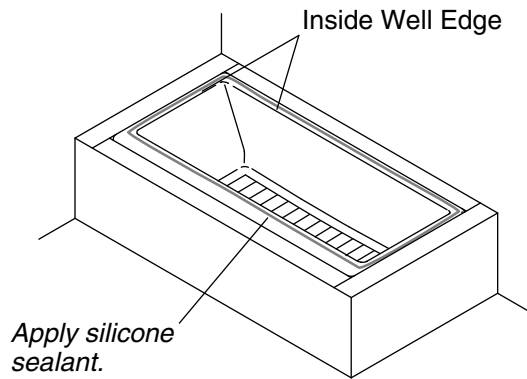
- With help, carefully move the bath into the installation area.
- Connect the tailpiece of the drain to the trap.
- Verify the bath is: (1) level across the top of the bath, (2) plumb along the drain side, and (3) resting on all four feet. If the bath is not level, metal shims must be placed under the bath feet.
- To level the bath, have several people lift the bath while one person slides metal shims underneath the bath feet.

6. Install the Plumbing



CAUTION: Risk of property damage. A watertight seal must exist on all bath drain connections. The watertight seal will prevent property damage.

- Connect the trap to the drain.
- Install the faucet valving according to the faucet manufacturer's instructions. **Do not install the faucet trim at this time.**
- Run water into the bath. Check the drain connections for leaks.
- Fill the bath to the overflow. Check for leaks.



7. Complete the Installation – Under-mount Only

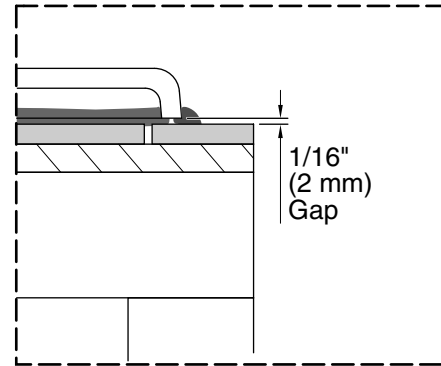
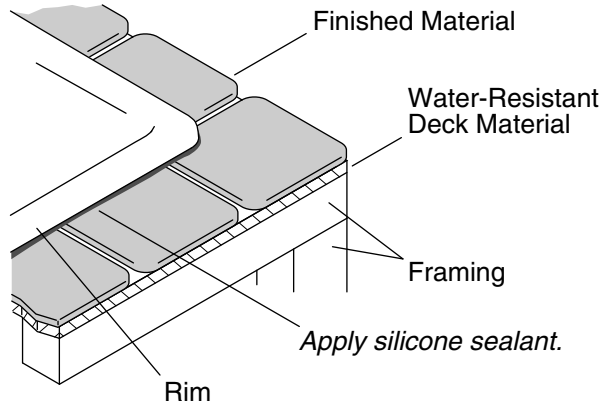


CAUTION: Risk of property damage. Do not use adhesive sealant to secure the counter material to the bath. Adhesive sealant will permanently bond the counter material to the bath making separation difficult and costly. Instead, use silicone sealant or caulk which will ease future maintenance or removal of the counter material.

- Clean the rim of the bath.

NOTICE: The bead of silicone sealant or caulk must be placed a minimum of 2" (51 mm) away from the inside well edge of the rim.

- Apply a continuous bead of silicone sealant or caulk to all areas where the rim and counter material meet.
- Align and properly position the counter material over the bath.
- Press the counter firmly onto the bath.
- Temporarily set weights on the counter material. This will hold the counter material in place while the silicone sealant dries.
- Apply a continuous bead of clear silicone sealant where the rim and the counter material meet.
- Install the faucet trim according to the manufacturer's instructions.



8. Complete the Installation - Drop-in Only

- Cover the framing with water-resistant deck material.

NOTICE: Only apply silicone sealant where instructed.

- Using silicone sealant, seal the joints between the water-resistant deck material and the bath rim at the head and drain end of the bath. **Do not apply silicone sealant to the bath rim running the length of the bath.**

NOTICE: To ensure the bath rim is used as designed, allow a 1/16" (2 mm) gap between the bath rim and the finished material.

- Install the finished material. Ensure a 1/16" (2 mm) gap exists between the bath rim and the finished material for the length of the bath.
- Apply a bead of silicone sealant in the groove between the finished material and the bath rim for the length of the bath.
- Install the faucet trim according to the manufacturer's instructions.

Care and Cleaning

For best results, keep the following in mind when caring for your KOHLER product:

- Always test your cleaning solution on an inconspicuous area before applying to the entire surface.
- Wipe surfaces clean and rinse completely with water immediately after applying cleaner. Rinse and dry any overspray that lands on nearby surfaces.
- Do not allow cleaners to soak on surfaces.
- Use a soft, dampened sponge or cloth. Never use an abrasive material such as a brush or scouring pad to clean surfaces.
- The ideal cleaning technique is to rinse thoroughly and blot dry any water from the surface after each use.
- Use a soft nylon brush on Safeguard® slip-resistant surfaces. Be sure to use a water-soluble cleaner (dissolves 100% in water).

For detailed cleaning information and products to consider, visit www.kohler.com/clean. To order Care & Cleaning information, call 1-800-456-4537.

Warranty

Kohler Co. warrants the cast iron components of products manufactured after February 10, 2000, to be free of defects in material and workmanship during normal residential use for as long as the original consumer purchaser owns his or her home. Gloss reduction, scratching, staining and alkaline etching of the finish over

Warranty (cont.)

time due to use, cleaning practices or water or atmospheric conditions, are not manufacturing defects but are indicative of normal wear and tear. This warranty applies only for KOHLER Cast Iron products installed in the United States of America, Canada or Mexico (North America).

If a defect is found in normal residential use, Kohler Co. will, at its election, repair, replace or make appropriate adjustment. Damage caused by accident, misuse, or abuse is not covered by this warranty. Improper care and cleaning will void the warranty. Proof of purchase (original sales receipt) must be provided to Kohler Co. with all warranty claims. Kohler Co. is not responsible for labor charges, installation, or other incidental or consequential costs. In no event shall the liability of Kohler Co. exceed the purchase price of the product.

If the cast iron product is used commercially or is installed outside of North America, Kohler Co. warrants the cast iron product to be free from defects in material and workmanship for one (1) year from the date the product is installed, with all other terms of this warranty applying except duration. All other components other than the enameled cast iron carry Kohler Co.'s one-year limited warranty unless otherwise specified.

If you believe that you have a warranty claim, contact Kohler Co., either through your Dealer, Plumbing Contractor, Home Center or E-tailer, or by writing: Kohler Co., Attn.: Customer Care Center, 444 Highland Drive, Kohler, WI 53044, USA. Please be sure to provide all pertinent information regarding your claim, including a complete description of the problem, the product, model number, color, finish, the date the product was purchased and from whom the product was purchased. Also include your original invoice. For other information, or to obtain the name and address of the service and repair facility nearest you call 1-800-4-KOHLER (1-800-456-4537) from within the USA and Canada, and 001-800-456-4537 from within Mexico, or visit www.kohler.com within the USA, www.ca.kohler.com from within Canada, or www.mx.kohler.com in Mexico.

KOHLER CO. AND/OR SELLER ARE PROVIDING THIS WARRANTY IN LIEU OF ALL OTHER WARRANTIES, EXPRESSED OR IMPLIED, INCLUDING BUT NOT LIMITED TO THE IMPLIED WARRANTIES OF MERCHANTABILITY AND FITNESS FOR A PARTICULAR PURPOSE. KOHLER CO. AND/OR SELLER DISCLAIMS ANY LIABILITY FOR SPECIAL, INCIDENTAL OR CONSEQUENTIAL DAMAGES.

Some states/provinces do not allow limitations on how long an implied warranty lasts, or the exclusion or limitation of special, incidental or consequential damages, so these limitations and exclusions may not apply to you. This warranty gives the consumer specific legal rights. You may also have other rights, which vary, from state/province to state/province. This warranty is to the original consumer purchaser only, and excludes product damage due to installation error, product abuse, or product misuse, whether performed by a contractor, service company or the consumer.

This is Kohler Co.'s exclusive written warranty.