

## BANCROFT® 5.5'

### CUSTOM BATH WHIRLPOOL K-1158-HB ALSO K-1158-HE, K-1158-HJ

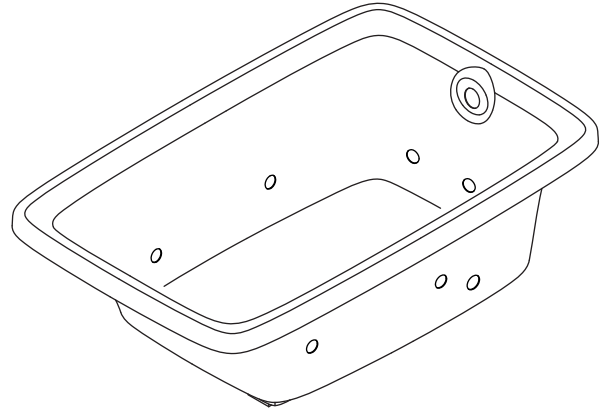
#### Features

- Acrylic
- Variable speed pump with 1.5 kW heater, back-lit user keypad, and remote control
- Less all trim
- 8 Flexjet™ whirlpool jets
- Custom pump locations
- 65-7/8" (1673 mm) x 41-3/4" (1060 mm) x 22" (559 mm)

#### Codes/Standards Applicable

Specified model meets or exceeds the following:

- ASME A112.19.7
- UL 1795
- CSA B45.5/IAPMO Z124
- ASTM E162
- ASTM E662



#### Colors/Finishes

- 0: White
- Other: Refer to Price Book for additional colors/finishes

#### Accessories:

- CP: Polished Chrome
- PB: Vibrant® Polished Brass
- Other: Refer to Price Book for additional colors/finishes

#### Specified Model

Model	Description	Colors/Finishes	
K-1158-HB	Custom bath whirlpool	<input type="checkbox"/> 0	<input type="checkbox"/> Other_____
K-1158-HE	Custom bath whirlpool	<input type="checkbox"/> 0	<input type="checkbox"/> Other_____
K-1158-HJ	Custom bath whirlpool	<input type="checkbox"/> 0	<input type="checkbox"/> Other_____

#### Required Accessories

K-9698	Jet trim kit	<input type="checkbox"/> CP	<input type="checkbox"/> PB	<input type="checkbox"/> Other_____
--------	--------------	-----------------------------	-----------------------------	-------------------------------------

#### Recommended Accessories

K-7161-AF	Adjustable pop-up drain	<input type="checkbox"/> CP	<input type="checkbox"/> PB	<input type="checkbox"/> Other_____
-----------	-------------------------	-----------------------------	-----------------------------	-------------------------------------

#### Product Specification

The acrylic bath whirlpool shall be 65-7/8" (1673 mm) in length, 41-3/4" (1060 mm) in width, and 22" (559 mm) in height. Bath whirlpool shall have 8 Flexjets, variable speed custom pump, 1.5 kW heater, and back-lit user control. Bath whirlpool shall be less all trim. Bath whirlpool shall have custom pump locations. Bath whirlpool shall be Kohler Model K-1158-\_\_\_\_-\_\_\_\_.

# BANCROFT® 5.5'

## Technical Information

Fixture*:				
Bathing well:				
Basin area, bottom	46" (1168 mm) x 30" (762 mm)			
Basin area, top	57" (1448 mm) x 34" (864 mm)			
Weight	130 lbs (59 kg)			
To overflow:				
Water depth	16" (406 mm)			
Capacity	95 gal (359.6 L)			
* Approximate measurements for comparison only.				
Pump	Heater	V	Hz	A
	1.5 kW	240	50/60	11
Minimum access panel (required):				
Pump/ control	34" (864 mm) W x 15" (381 mm) H			

## Required Electrical Service

Dedicated circuit required, protected with Class A Ground-Fault Circuit-Interrupter (GFCI) or Residual Current Device (RCD):

Pump/control	220/240 V, 20 A, 50/60 Hz
--------------	---------------------------

## Installation Notes

Install this product according to the installation guide.

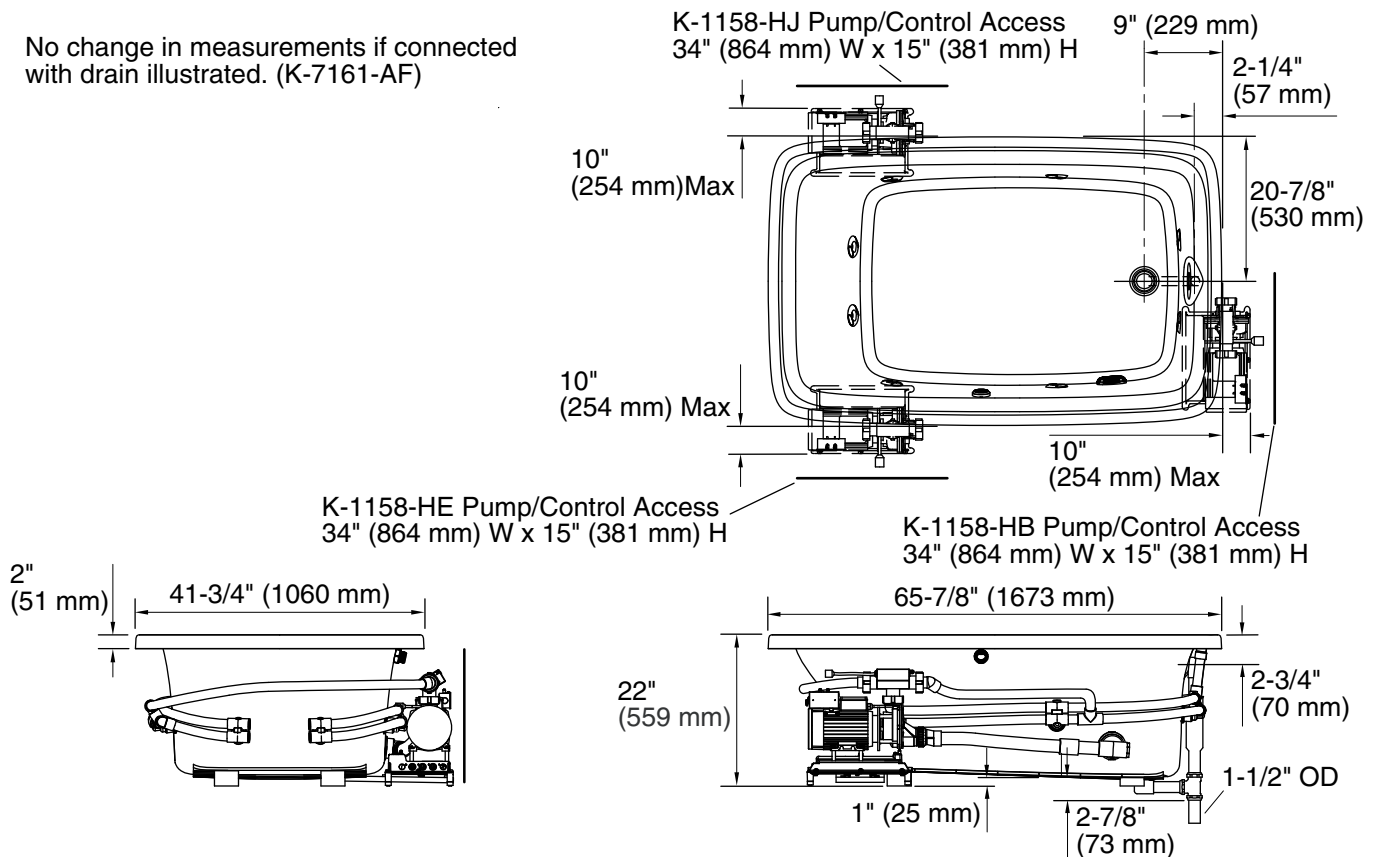
Floor support under whirlpool must provide for a minimum of 50 lbs/square foot (242 kg/square meter)

Hot water supply should be 70% of capacity or greater. Installations will vary.

This bath is designed for drop-in installation only. It is not suited for use in a three-wall alcove with an overhead shower.

Pump must be relocated to custom position at the time of installation. Provide adequate clearance.

No change in measurements if connected with drain illustrated. (K-7161-AF)



## Product Diagram