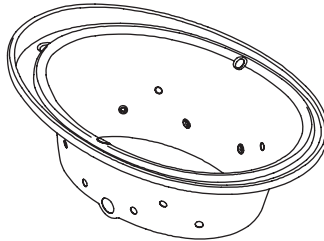


Homeowners Guide

Bath Whirlpool

K-1110-AH



M product numbers are for Mexico (i.e. K-12345**M**)
Los números de productos seguidos de **M** corresponden a México
(Ej. K-12345**M**)
Français, page "Français-1"
Español, página "Español-1"

THE BOLD LOOK
OF **KOHLER**®

Important Information

INSTRUCTIONS PERTAINING TO A RISK OF FIRE, ELECTRICAL SHOCK, OR INJURY TO PERSONS READ AND FOLLOW ALL INSTRUCTIONS SAVE THESE INSTRUCTIONS



WARNING: When using electrical products, basic precautions should always be followed, including the following:



DANGER: Risk of personal injury. To reduce the risk of injury, do not permit children to use this unit unless they are closely supervised at all times.



WARNING: Risk of personal injury. To avoid injury, exercise care when entering or exiting the whirlpool.



WARNING: Risk of electric shock. Do not permit electric appliances (such as a hair dryer, lamp, telephone, radio, or television) within 5' (1.5 m) of this whirlpool.



WARNING: The use of alcohol, drugs, or medication can greatly increase the risk of fatal hyperthermia. Prolonged immersion in hot water may induce hyperthermia. Hyperthermia occurs when the internal temperature of the body reaches a level several degrees above the normal body temperature of 98.6°F (37°C). The symptoms of hyperthermia include an increase in the internal temperature of the body, dizziness, lethargy, drowsiness, and fainting. The effects of hyperthermia include: (a) failure to perceive heat, (b) failure to recognize the need to exit the bath, (c) unawareness of impending hazard, (d) fetal damage in pregnant women, (e) physical inability to exit the bath, and (f) unconsciousness resulting in the danger of drowning.



WARNING: Risk of hyperthermia. People using medications and/or having an adverse medical history should consult a physician before using a whirlpool equipped with a heater.



WARNING: Risk of scalding. Do not allow the water temperature in the whirlpool to exceed 104°F (40°C).

The heater will automatically maintain the water temperature when the whirlpool is running, as long as the water temperature does not exceed 104°F (40°C). The heater will disengage at higher temperatures.

An equipment grounding terminal is provided in the field wiring compartment. To reduce the risk of electric shock, this terminal must be connected to the grounding means provided in the electric supply panel with a conductor equivalent in size to the circuit conductors supplying this whirlpool.

A pressure wire connector is provided on the exterior of the pump or control within this unit to permit connection of a bonding conductor between this unit and all other exposed metal in the vicinity, as needed to comply with local requirements.

Use this whirlpool only for its intended purpose as described in this guide. Do not use attachments not recommended by the manufacturer.

Never drop or insert any object into any opening. Keep small objects such as bath toys and bathing accessories out of the whirlpool while the unit is running.

Do not operate this unit without the guard (cover) over the suction fitting.

The whirlpool must be connected only to a supply circuit that is protected by a Ground-Fault Circuit-Interrupter (GFCI) or Residual Current Device (RCD). Such a GFCI or RCD should be provided by the installer and should be tested on a routine basis. To test the GFCI or RCD, press the test button. The GFCI or RCD should interrupt power. Press the reset button. Power should be restored. If the GFCI or RCD fails to operate in this manner, the GFCI or RCD is defective. If the GFCI or RCD interrupts power to the bath without the test button being pressed, a ground current is flowing, indicating the possibility of an electric shock. Do not use this whirlpool bath. Disconnect the whirlpool and have the problem corrected by a qualified service representative before using.

Important Information (cont.)

Flush your whirlpool system twice a month or more depending upon usage, as described in the "Flush System" section of this guide.

Repeated use of personal care products containing oils can damage plastic whirlpool components. Do not use heavy, vegetable-based shampoos or bath oils.

Whirlpool hydro-massage action can cause even a small amount of bubble bath, bath soap, shampoo, or bath oil to foam excessively. For this reason, please don't use these products during whirlpool operation.

FCC Compliance

FCC ID : N82-KOHLER001

Canada ID : 4554A-KOHLER001

Compliance Statement (Part 15.19)

This device complies with Part 15 of the FCC Rules and with RSS-210 of Industry Canada. Operation is subject to the following two conditions:

1. This device may not cause harmful interference, and
2. This device must accept any interference received, including interference that may cause undesired operation.

Warning (Part 15.21)

Changes or modifications not expressly approved by the party responsible for compliance could void the users' authority to operate the equipment.

Table of Contents

| | |
|---------------------------------------|----|
| Important Information | 2 |
| FCC Compliance | 3 |
| Thank You For Choosing Kohler Company | 3 |
| Your Kohler Whirlpool | 4 |
| Lighted User Keypad | 5 |
| Operation | 6 |
| Remote Control | 8 |
| Care and Cleaning | 9 |
| Flush System | 9 |
| Warranty | 9 |
| Warranty | 9 |
| Service the Effervescence Ports | 11 |
| Troubleshooting | 12 |
| Service Parts | 15 |

Thank You For Choosing Kohler Company

Thank you for choosing Kohler Co. Your Kohler Co. product reflects the true passion for design, craftsmanship, artistry, and innovation Kohler Co. stands for. We are confident its dependability and beauty will surpass your highest expectations, satisfying you for years to come.

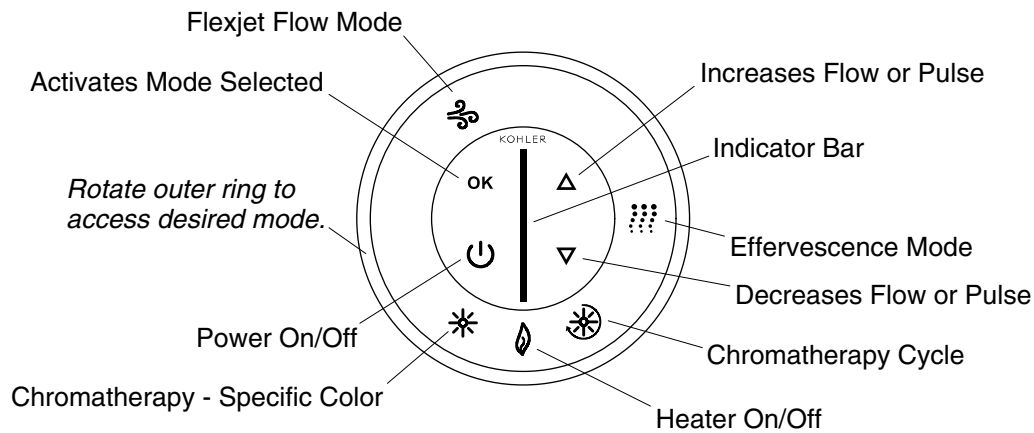
All information in this guide is based upon the latest product information available at the time of publication. At Kohler Co. we strive to fulfill our mission of improving the level of gracious living for each person who is touched by our products and services. We reserve the right to make changes in product characteristics, packaging, or availability at any time without notice.

Please take a few minutes to review this guide. Pay special attention to the care and cleaning instructions.

Your Kohler Whirlpool

Your new whirlpool is designed to stimulate, invigorate, and energize your body with comforting hydro-massage therapy. The whirlpool consists of the following components:

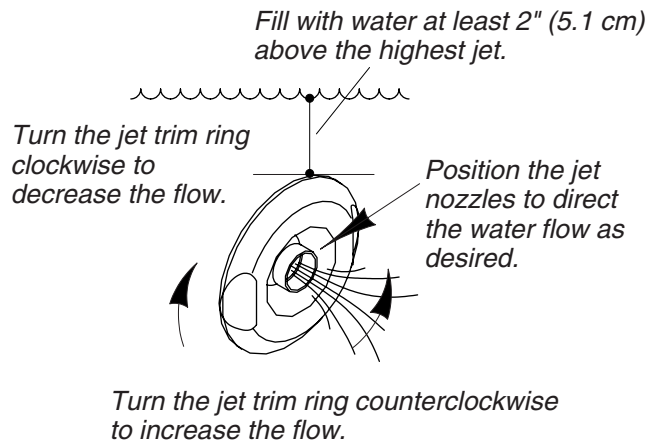
- **Lighted User Keypad** - Located within easy reach, allows you to turn the whirlpool on and off. It also allows you to access all the whirlpool modes and regulate the water flow or pulse speed.
- **Remote Control** - Places the whirlpool functions at your fingertips to further enhance your bathing experience. The functions of the remote control are identical to the lighted user keypad.
- **Pump Motor** - Provides quiet, variable speed power to circulate the water.
- **Adjustable Jets** - Positioned to optimize their hydro-massage effect, the jets allow you to adjust the air and water flow and control the flow direction as you desire.
- **Heater** - Automatically helps maintain a 104°F (40°C) water temperature, turns on when the whirlpool is operating, and turns off when the pump motor is turned off. Using the lighted user keypad, the heater may be turned off at any time while the pump is operating.
- **Effervescence** - Eight effervescent ports emit thousands of champagne-like bubbles which provides a relaxing, soothing experience.
- **Chromatherapy** - Promotes relaxation and delivers a full spectrum of color. Chromatherapy may be used with all modes of operation, even when the pump is not operating.



Lighted User Keypad

Available modes will be illuminated in blue. Active modes will be illuminated in green.

| | |
|---------------------------------------|--|
| Power | Turns the whirlpool pump on and off. Icons illuminated in blue indicate available modes/features. Modes which are operating will be illuminated in green. |
| Outer Ring | Rotate the outer ring to the desired mode. The selected mode will flash blue. |
| OK | Activates the desired mode. |
| Flexjet Flow Mode | When illuminated, the adjustable jet water flow can be adjusted by pressing the up or down arrow. |
| Up Arrow | Increases the water flow when the Flexjet flow mode is active. |
| Indicator Bar | Displays the water flow volume in the Flexjet flow mode. |
| Effervescence Mode | Ports activate to provide a gentle, soothing bubbling action. The Flexjet mode will automatically turn off when this mode is activated. |
| Down Arrow | Decreases the water flow when the Flexjet flow mode is active. |
| Chromatherapy Cycle | Chromatherapy lights will automatically and continuously cycle through the eight colors: white, violet, indigo blue, aqua blue, green, yellow, orange, and red. One cycle through all eight colors takes approximately one minute. |
| Heater | Automatically engages when the power icon is selected. Rotate the outer ring until the heater mode is flashing, then press OK to turn the heater off. Press OK again to turn the heater back on. |
| Chromatherapy - Specific Color | Press OK to activate, then use the up or down arrow to reach the desired color. Press OK while the chromatherapy cycle is active to turn off the chromatherapy lights. |



Operation

NOTE: If the whirlpool is not operating properly, consult the "Troubleshooting" section of this guide before calling a qualified service representative.

Whirlpool

- Turn the jet trim fully counterclockwise. Position the jet nozzles so they face down toward the basin.

NOTICE: Do not allow the water temperature in the whirlpool to exceed 104°F (40°C). The heater will automatically maintain the water temperature when the whirlpool is running, as long as the water temperature does not exceed 104°F (40°C). The heater will disengage at higher temperatures.

- Close the drain, then fill the whirlpool to a level at least 2" (5.1 cm) above the highest jet. Using your hand, test the water temperature for comfort and safety. Carefully enter the bath.
- Press the power icon to turn on the whirlpool pump and heater. Water will flow at medium volume.
- Press the up or down arrow icons to increase or decrease the water flow. The indicator bar will display the water flow volume.
- Adjust the jets for optimum air/water mixture. Turn the jet trim clockwise to reduce the flow or counterclockwise to increase the flow. If desired, position the jet nozzles to direct the water flow to maximize your hydro-massage experience.
- If desired, turn the heater off by pressing the heater icon. Press the button a second time to turn the heater back on.
- Press the power icon a second time to turn off the whirlpool pump and heater.

NOTE: The pump and heater will automatically stop after approximately 20 minutes of continuous operation. If desired, press the power icon to reactivate the pump and heater.

- Carefully exit the bath, then open the drain to empty the whirlpool.

Effervescence

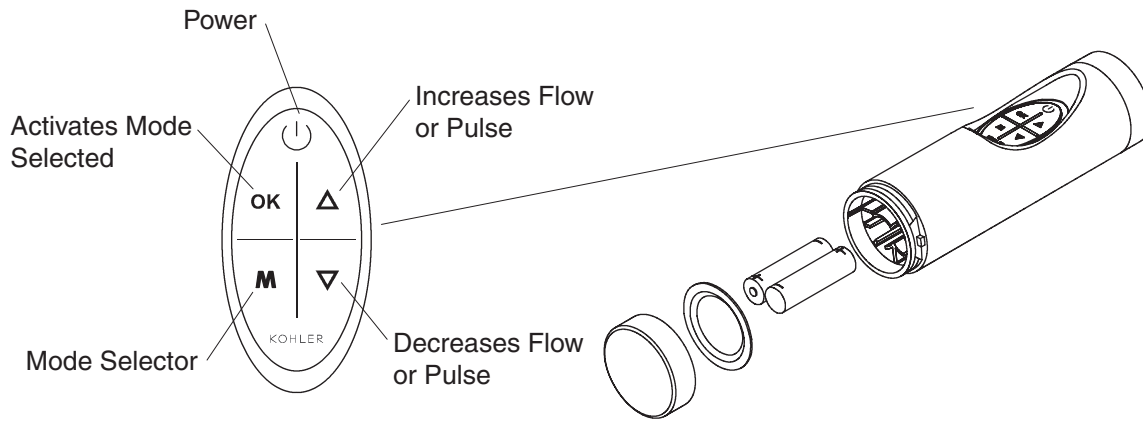
- Rotate the outer ring until the effervescence icon is flashing, then press OK to activate the effervescence ports. The water flow volume will remain as previously set. Press OK while the effervescence mode is flashing to turn off the effervescence ports.

Chromatherapy

NOTE: The chromatherapy modes may be used with all modes of operation, even when the pump is not operating.

Operation (cont.)

- Rotate the outer ring to select the chromatherapy mode, then press OK to activate the chromatherapy lights. Press OK while the chromatherapy mode is active to turn off the chromatherapy lights.
- Rotate the outer ring to select chromatherapy specific color selection, then press OK. Use the up or down arrow to reach the desired color. Press OK while the chromatherapy specific color selection is active to turn off the chromatherapy lights.



Remote Control

Operate

The remote control, which functions are identical to the user keypad, places the whirlpool functions at your fingertips to further enhance your bathing experience. The remote control is waterproof, so it may be used in the bath and will float in the water.

| | |
|----------------------|--|
| Power | Turn the whirlpool or heater on and off. |
| Mode Selector | Functions in the same way as the outer ring on the user keypad. When pressed, one of the modes will flash on the user keypad. When pressed again, the next mode in clockwise order will flash. When the desired mode is flashing, press "OK" to activate it. |
| OK | Activates the desired mode. |
| Up Arrow | Increases the water flow or pulse. |
| Down Arrow | Decreases the water flow or pulse. |

Program

NOTE: Programming of the remote control is normally not required. However, programming the remote control to the user keypad may be necessary if: (1) more than one device in or near the vicinity of your home uses a remote control or (2) you replace your remote control or pump control.

- Turn the whirlpool power on.
- Turn off all modes of operation. Wait approximately one minute until the keypad darkens completely (sleep mode).
- On the user keypad, press the up arrow, down arrow, and the "OK" button simultaneously. The bottom LED on the user keypad indicator bar will begin flashing.
- While the bottom LED is flashing, press the "OK" button on the user keypad. A light sequence will illuminate up and down the indicator bar.
- While the light sequence is active, press any button on the remote control. The program will download and the user keypad will darken. The user keypad will now respond only to this remote control.

Batteries

- Unscrew the end cap of the remote control, as shown.
- Insert two AAA batteries.
- Securely tighten the end cap, making sure the end cap contacts the seal.

Care and Cleaning

For best results, keep the following in mind when caring for your KOHLER product:

- Always test your cleaning solution on an inconspicuous area before applying to the entire surface.
- Wipe surfaces clean and rinse completely with water immediately after applying cleaner. Rinse and dry any overspray that lands on nearby surfaces.
- Do not allow cleaners to soak on surfaces.
- Use a soft, dampened sponge or cloth. Never use an abrasive material such as a brush or scouring pad to clean surfaces.

For detailed cleaning information and products to consider, visit www.kohler.com/clean. To order Care & Cleaning information, call 1-800-456-4537.

Flush System

NOTE: Flush your whirlpool system twice a month or more, depending upon usage.

- Turn the jet trim rings fully clockwise to remove air induction.
- Fill the whirlpool with warm water to a level at least 2" (5.1 cm) above the highest jets, or leave water in the whirlpool after using.
- Add 2 teaspoons (10 ml) of a low-foaming, powder automatic dishwasher detergent and 20 ounces (590 ml) of household bleach (5% - 6% sodium hypochlorite) to the water.
- Run the whirlpool for 5 to 10 minutes. Turn off the whirlpool and drain.
- If desired, rinse the bath surfaces with water.
- Rinse the surfaces of the jets, faucet, handrails, and drain, and wipe them dry with a soft cloth.

Warranty

ONE-YEAR LIMITED WARRANTY

KOHLER plumbing products are warranted to be free of defects in material and workmanship for one year from date of installation.

Kohler Co. will, at its election, repair, replace or make appropriate adjustment where Kohler Co. inspection discloses any such defects occurring in normal usage within one (1) year after installation. Kohler Co. is not responsible for removal or installation costs. **Use of in-tank toilet cleaners will void the warranty.**

To obtain warranty service contact Kohler Co. either through your Dealer, Plumbing Contractor, Home Center or E-tailer, or by writing Kohler Co., Attn.: Customer Care Center, 444 Highland Drive, Kohler, WI 53044, USA, or by calling 1-800-4-KOHLER (1-800-456-4537) from within the USA and Canada, and 001-800-456-4537 from within Mexico, or visit www.kohler.com within the USA, www.ca.kohler.com from within Canada, or www.mx.kohler.com in Mexico.

IMPLIED WARRANTIES INCLUDING THAT OF MERCHANTABILITY AND FITNESS FOR A PARTICULAR PURPOSE ARE EXPRESSLY LIMITED IN DURATION TO THE DURATION OF THIS WARRANTY. KOHLER CO. AND/OR SELLER DISCLAIM ANY LIABILITY FOR SPECIAL, INCIDENTAL OR CONSEQUENTIAL DAMAGES. Some states/provinces do not allow limitations on how long an implied warranty lasts, or the exclusion or limitation of special, incidental or consequential damages, so these limitations and exclusions may not apply to you. This warranty gives you specific legal rights. You may also have other rights which vary from state/province to state/province.

This is Kohler Co.'s exclusive written warranty.

Warranty

KOHLER CO.

It is recommended that at the time of purchase, you verify that all accessories and components are complete in this package.

Warranty (cont.)

This Kohler product is warranted to be free of defects in material and workmanship for one (1) year from the date of purchase as shown on the invoice or receipt.

1. Kohler Co. will only service its commercialized products through its authorized distributors.
2. To obtain warranty service, please present the invoice and corresponding warranty.
3. Through its authorized distributors, Kohler Co. promises to repair the defective product or provide a new replacement or an equivalent model (in those cases that the model has been discontinued) when the product is beyond repair, without any charge to the consumer.
4. The time of repair will not exceed six (6) weeks commencing on the date the product is received.
5. It is recommended that the consumer save the invoice or receipt as additional protection, as it may substitute the warranty in the case that there is a discrepancy in the validity of the warranty.

EXCEPTIONS AND RESTRICTIONS

The Warranty will not be valid in the following cases:

1. When the product is not operated in accordance with the instructions concerning use and operation set forth in the owner's manual or installation instructions, and when the recommendations and warnings included are not observed.
2. When the product has been modified or dismantled partially or totally; or has been used in a negligent fashion and as a consequence has suffered damages attributable to the consumer, individual, or hardware not authorized by Kohler Co.
3. This warranty does not cover the damages as a result of disaster such as fire or acts of God, including flooding, earthquake, or electric storms, etc. To obtain a list of distributors in your area where you can exercise your rights under this warranty, please call 001-800-456-4537.

KOHLER CO., KOHLER, WI 53044 U.S.A.

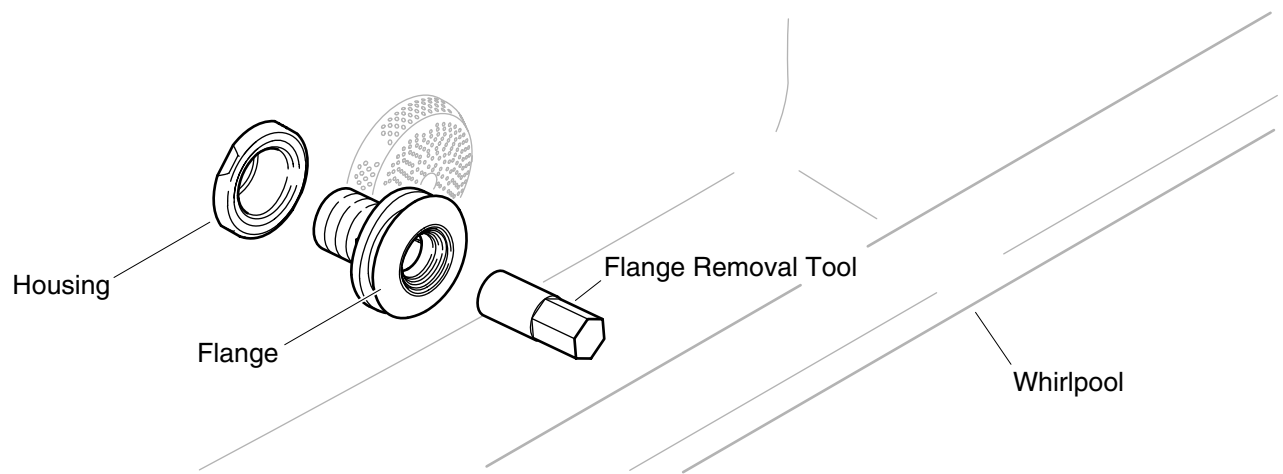
IMPORTER:

INTERNACIONAL DE CERÁMICA, S.A.B. DE C.V.

AV. CARLOS PACHECO NO. 7200

CHIHUAHUA, CHIH., MEXICO C.P. 31060

TEL: 52 (14) 29-11-11



Service the Effervescence Ports

NOTICE: This section is for general aid only. A Kohler Authorized Service Representative or qualified electrician should correct any electrical problems. For warranty service, contact your dealer or wholesale distributor.

Remove the Port

- Insert the flange removal tool (provided) into the opening of the port.
- Place your thumb against the whirlpool wall while firmly grasping the flange removal tool.
- Pull the flange removal tool until the flange pulls free from the housing.

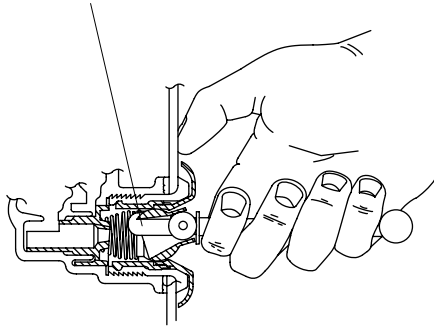
Reinstall the Port

NOTE: Do not use force when reinstalling the port.

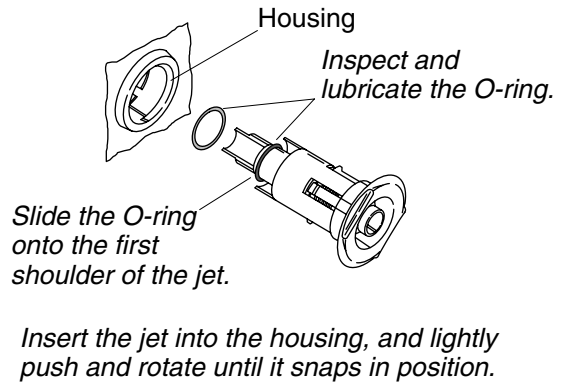
- Carefully insert the flange into the housing, then lightly push and rotate the flange until it snaps into position.
- Verify the port is installed correctly. Remove and reinstall, if necessary.

Remove the Jets

Insert the tool hook as shown and pull the jet out of the housing. The jet should be facing up when this is done.



Reinstall the Jets



Troubleshooting

NOTICE: This section is for general aid only. A Kohler Authorized Service Representative or qualified electrician should correct any electrical problems. For warranty service, contact your dealer or wholesale distributor.

Remove the Jets

- Position the ball nozzle of the jet facing up. This will ensure the jet tool will not slip off.
- Position the jet tool (provided) with the hook facing up.
- Insert the jet tool into the opening of the jet and hook the inside top of the nozzle.
- Place your thumb against the whirlpool wall while firmly grasping the jet tool.
- Steadily pull the jet tool until the jet assembly pulls free from the housing. Be careful not to lose the O-ring.

Reinstall the Jets

NOTE: To allow easy rotation and proper operation of the jet, the O-ring must be: (1) correctly positioned, (2) lubricated, and (3) in good condition.

- Install the O-ring onto the **first shoulder** of the jet.
- Using the silicone lube packet (provided), lubricate the O-ring to prevent noisy operation of the jet.
- Carefully insert the jet into the housing, then lightly push and rotate the jet until it snaps into position. **Do not force the jet.**
- Verify the jet is installed correctly. The jet should turn smoothly both clockwise and counterclockwise. Remove and reinstall, if necessary.

Troubleshooting Table

User Keypad and Pump

| Symptoms | Probable Causes | Recommended Action |
|---|---|--|
| 1. User keypad does not illuminate when power button is pressed or outer ring is rotated. | <p>A. No power to control.</p> <p>B. GFCI or RCD tripped.</p> <p>C. Wiring harness from user keypad to control is loose, disconnected or damaged.</p> <p>D. User keypad does not work.</p> <p>E. Control does not work.</p> | <p>A. Check wiring and connect power.</p> <p>B. Reset GFCI or RCD.</p> <p>C. Check wiring for proper connections. Replace wiring harness if necessary.</p> <p>D. Replace user keypad.</p> <p>E. Replace control.</p> |

Troubleshooting (cont.)

User Keypad and Pump

| Symptoms | Probable Causes | Recommended Action |
|---|--|--|
| 2. Motor starts, but all jets are not functioning. | <p>A. Jet is closed.</p> <p>B. Jet not installed correctly.</p> <p>C. Jets are blocked.</p> | <p>A. Rotate jet trim counterclockwise to open.</p> <p>B. Reinstall jet; check for O-ring damage.</p> <p>C. Remove blockage.</p> |
| 3. User keypad is illuminated, but does not respond to buttons or outer ring. | <p>A. Control program is locked.</p> <p>B. Wiring harness from user keypad to control is loose, disconnected or damaged.</p> <p>C. User keypad does not work.</p> <p>D. Control does not work.</p> | <p>A. Reset GFCI or RCD.</p> <p>B. Check wiring for proper connections. Replace wiring harness if necessary.</p> <p>C. Replace user keypad.</p> <p>D. Replace control.</p> |
| 4. User keypad indicator bar keeps scanning at power-up. | <p>A. Control program is locked.</p> <p>B. Wiring harness from user keypad to control is loose, disconnected or damaged.</p> <p>C. User keypad does not work.</p> <p>D. Control does not work.</p> | <p>A. Reset GFCI or RCD.</p> <p>B. Check wiring for proper connections. Replace wiring harness if necessary.</p> <p>C. Replace user keypad.</p> <p>D. Replace control.</p> |
| 5. User keypad is illuminated, but pump will not start. | <p>A. Power cord from pump to control is loose, disconnected or damaged.</p> <p>B. Pump does not work.</p> <p>C. Control does not work.</p> | <p>A. Check wiring for proper connections.</p> <p>B. Replace pump.</p> <p>C. Replace control.</p> |
| 6. Motor runs but pump will not prime (cavitates). | <p>A. Pump is shimmed too high.</p> <p>B. Small air leak at pump inlet.</p> <p>C. Motor/pump does not work.</p> <p>D. Control does not work.</p> | <p>A. Lower pump/control to subfloor level.</p> <p>B. Securely tighten nut(s) on intake side of pump.</p> <p>C. Replace motor/pump.</p> <p>D. Replace control.</p> |
| 7. Pump stops before 18 minutes. | <p>A. GFCI or RCD tripped.</p> <p>B. Suction is blocked.</p> <p>C. Jets are blocked.</p> <p>D. Motor overheated and protection device activated.</p> | <p>A. Identify source of fault, and correct. Reset GFCI or RCD.</p> <p>B. Remove obstruction.</p> <p>C. Remove blockage.</p> <p>D. Check for blockage at suction and/or jets. Remove blockage and allow motor to cool.</p> |
| 8. Pump does not automatically stop after 22 minutes. | <p>A. 20-minute timer inadvertently disabled.</p> | <p>A. See service manual.</p> |
| 9. Pump will not turn off when the power button on user keypad is pressed. | <p>A. User keypad does not work.</p> <p>B. Control does not work.</p> | <p>A. Replace user keypad.</p> <p>B. Replace control.</p> |
| 10. Pump operates but variable speed feature does not work. | <p>A. Motor/pump does not work.</p> <p>B. Control does not work.</p> | <p>A. Replace motor/pump.</p> <p>B. Replace control.</p> |
| 11. Bath water cools while pump is operating. | <p>A. Water temperature above 104°F (40°C).</p> <p>B. Heater is turned off on user keypad.</p> <p>C. Wiring from heater to control is loose, disconnected or damaged.</p> <p>D. Heater does not work.</p> <p>E. Control does not work.</p> | <p>A. Allow bath water to cool.</p> <p>B. Turn heater on.</p> <p>C. Check wiring for proper connections.</p> <p>D. Replace heater.</p> <p>E. Replace control.</p> |

Troubleshooting (cont.)**User Keypad and Pump**

| Symptoms | Probable Causes | Recommended Action |
|----------------------|--|--|
| 12. Noisy operation. | <p>A. Pump banding straps have not been cut.</p> <p>B. Dry or dislodged jet O-ring (squeal).</p> | <p>A. Cut pump banding straps with tin snips.</p> <p>B. Remove jet, replace and lubricate O-ring, and reinstall jet.</p> |

Effervescent Ports

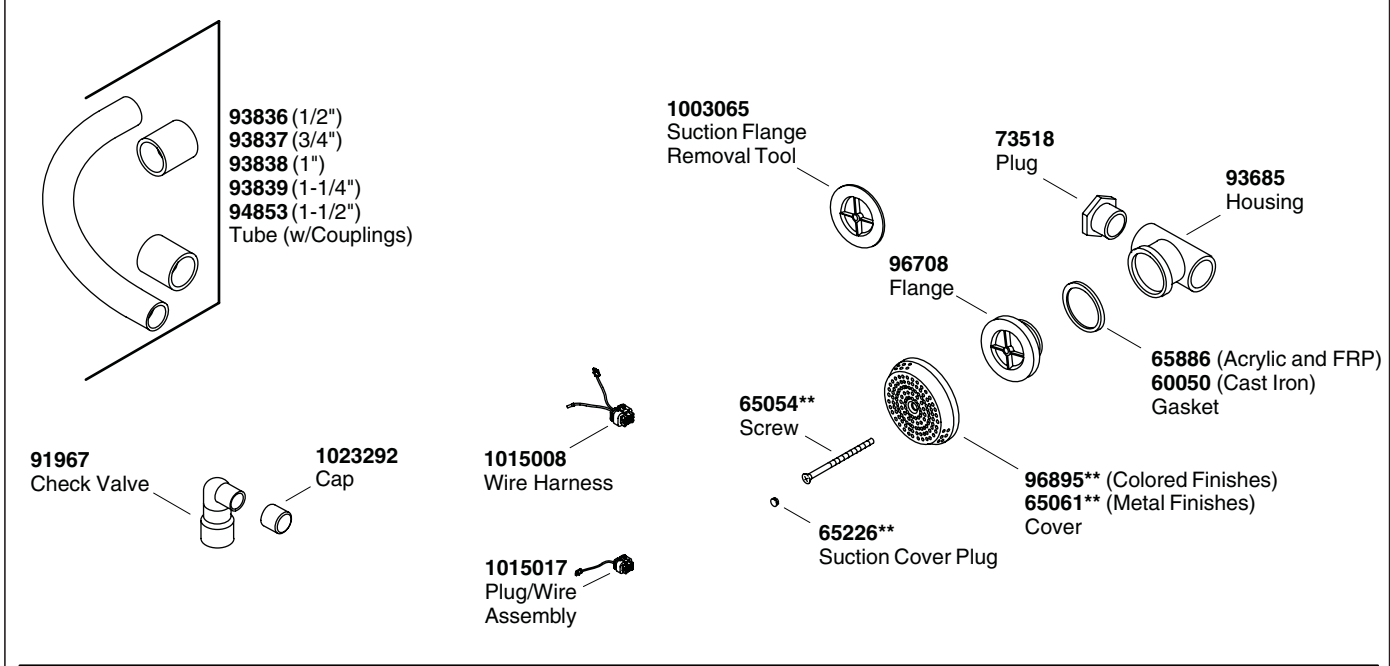
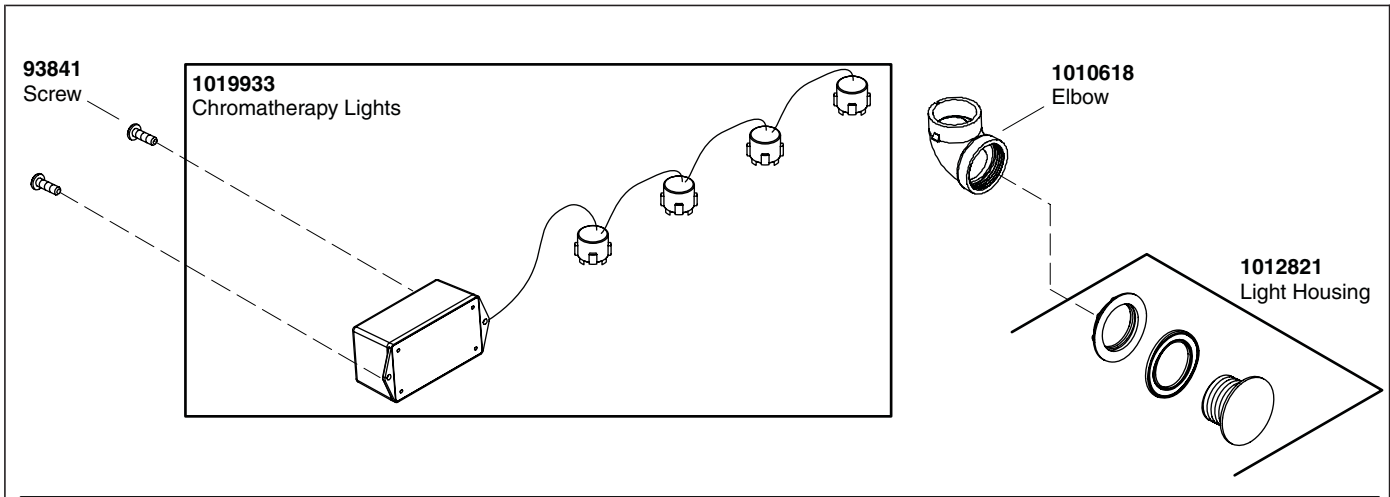
| Symptoms | Probable Causes | Recommended Action |
|--------------------------------------|--|--|
| 1. Effervescent ports do not work. | <p>A. Whirlpool pump is not operating.</p> <p>B. Butterfly valve does not work.</p> <p>C. Pump does not work.</p> <p>D. Control does not work.</p> | <p>A. Turn on pump.</p> <p>B. Replace butterfly valve.</p> <p>C. Refer to the service manual to troubleshoot the system. Refer to installer/dealer.</p> <p>D. Replace control.</p> |
| 2. Effervescent ports do not bubble. | <p>A. Air intake on suction line is blocked.</p> <p>B. Water flow is too low.</p> | <p>A. Remove blockage.</p> <p>B. Increase water flow.</p> |

Chromatherapy Lights

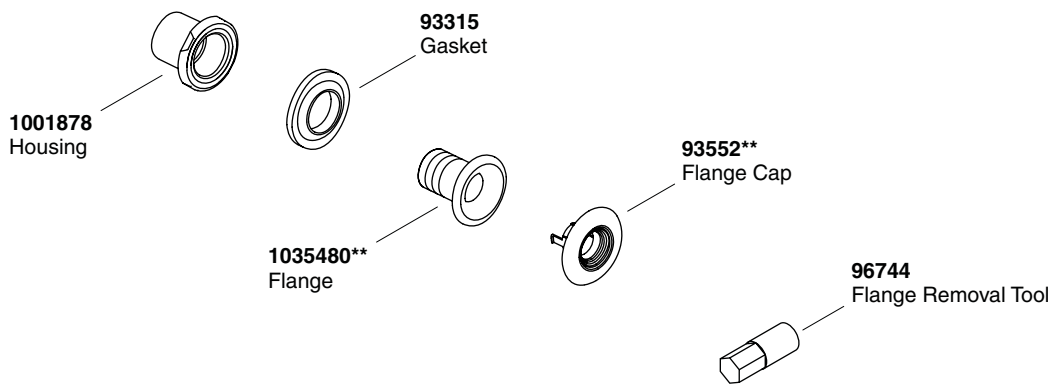
| Symptoms | Probable Causes | Recommended Action |
|--------------------------------------|---|--|
| 1. Chromatherapy lights do not work. | <p>A. Loose, disconnected or damaged wiring/connections.</p> <p>B. Control does not work.</p> | <p>A. Check wiring for proper connections. Replace wiring if necessary.</p> <p>B. Replace control.</p> |

Remote Control

| Symptoms | Probable Causes | Recommended Action |
|----------------------------------|---|---|
| 1. Remote control does not work. | <p>A. Batteries improperly installed or dead.</p> <p>B. Antenna on wiring harness is damaged.</p> <p>C. Remote control not programmed correctly.</p> <p>D. Remote control does not work.</p> <p>E. Control does not work.</p> | <p>A. Replace batteries.</p> <p>B. Replace wiring harness.</p> <p>C. See homeowners guide or service manual.</p> <p>D. Replace remote control.</p> <p>E. Replace control.</p> |



Effervescence Ports



****Finish/color code must be specified when ordering**

Service Parts

1003065
Suction Flange
Removal Tool



73518
Plug



93685
Housing



96708
Flange



65886 (Acrylic and FRP)
60050 (Cast Iron)
Gasket

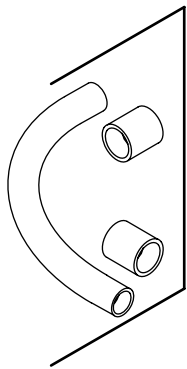


65054**
Screw



96895** (Colored Finishes)
65061** (Metal Finishes)
Cover

65226**
Suction Cover Plug



93836 (1/2")
93837 (3/4")
93838 (1")
93839 (1-1/4")
94853 (1-1/2")
Tube (w/Couplings)

91967
Check Valve



1086350
Flange Removal Wrench



67665
Plug



67429
Flange



67889
Jet Housing



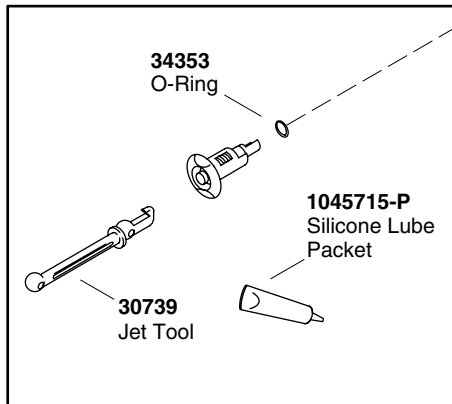
65885 (Acrylic and FRP)
67668 (Cast Iron)
Gasket

**Single Jet For Whirlpools
With 5 or Less Jets**

88532** (Colored Finishes)
88531** (Metal Finishes)
Jet

**Single Jet For Whirlpools
With 6 or More Jets**

88530** (Colored Finishes)
88529** (Metal Finishes)
Jet



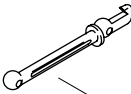
34353
O-Ring



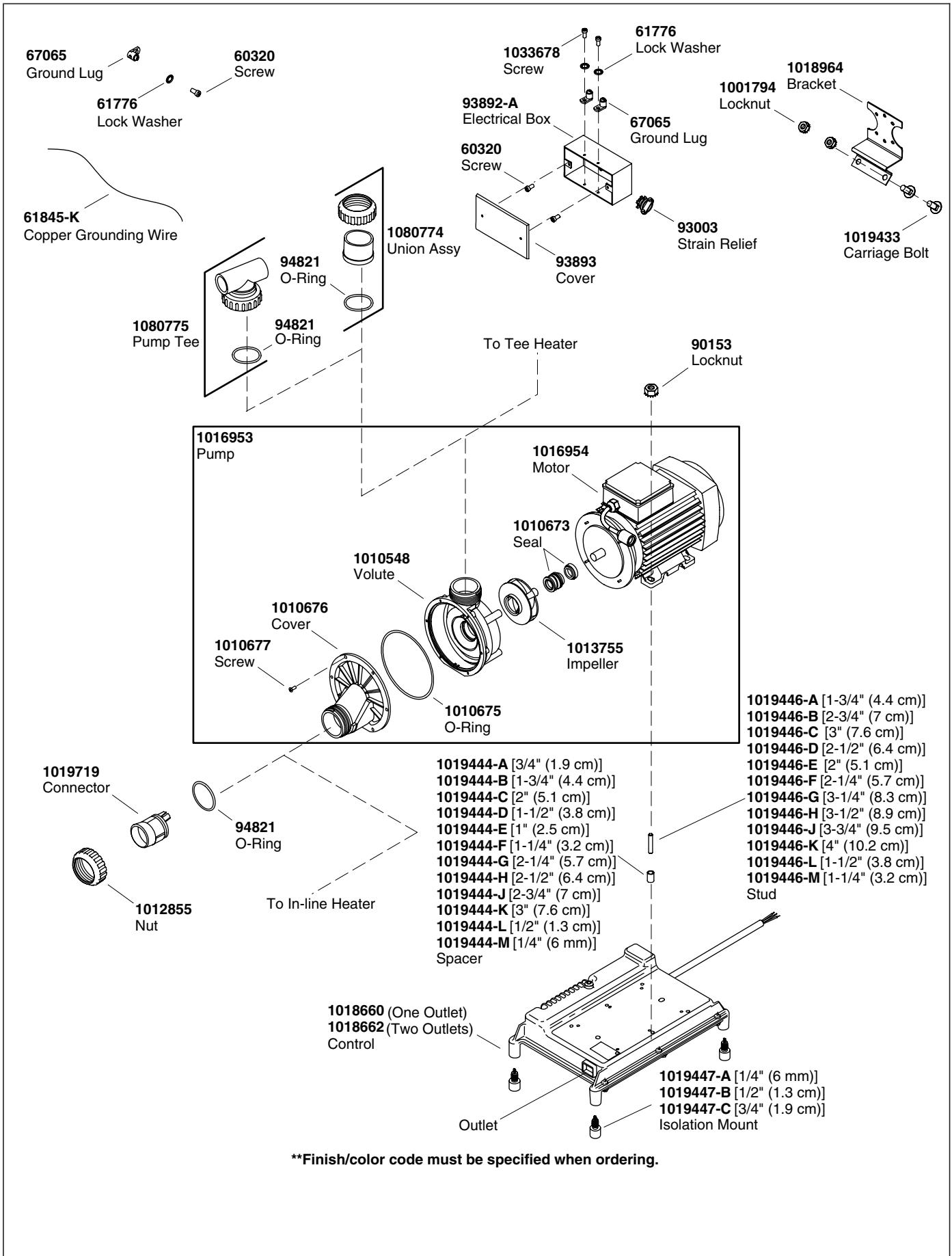
1045715-P
Silicone Lube
Packet

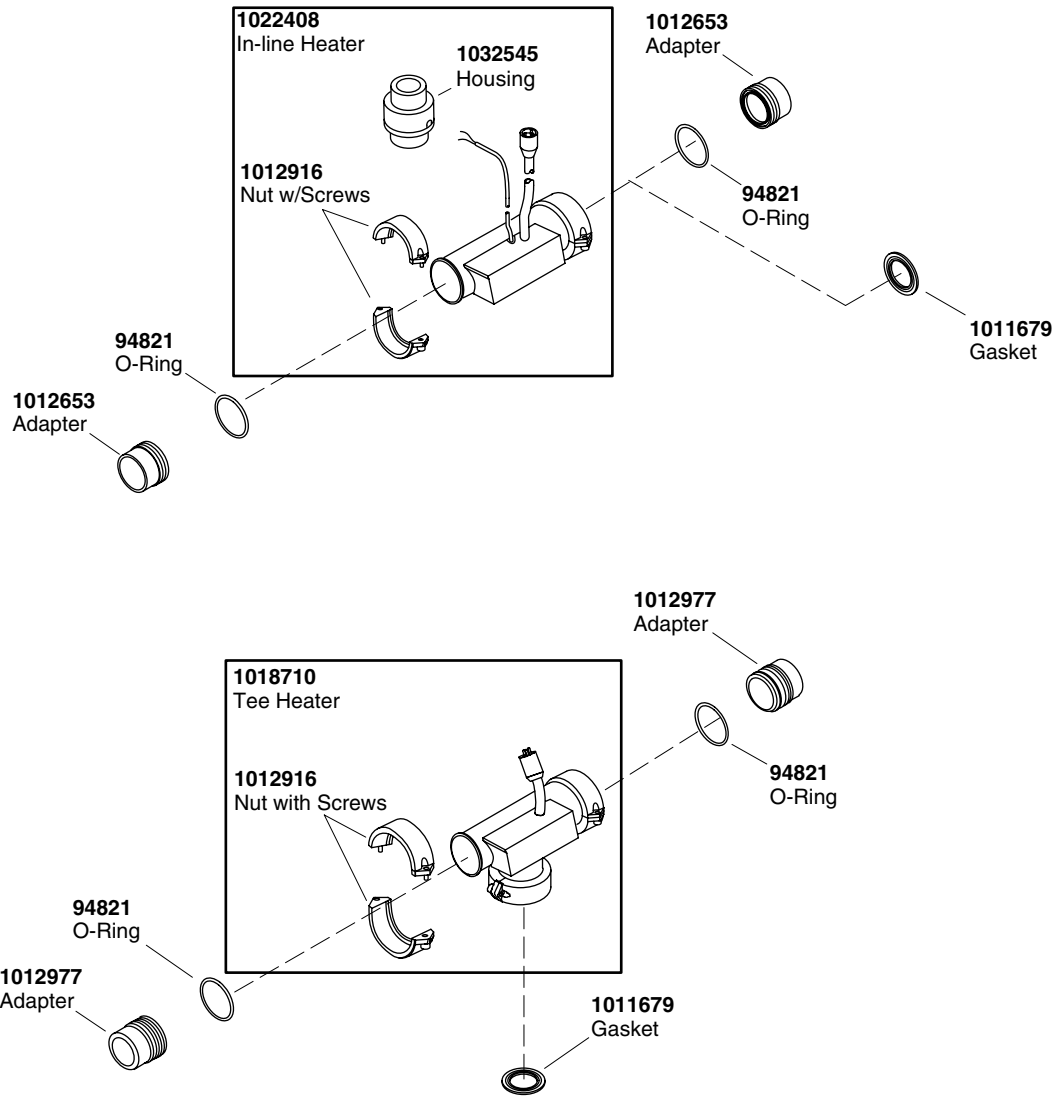


30739
Jet Tool

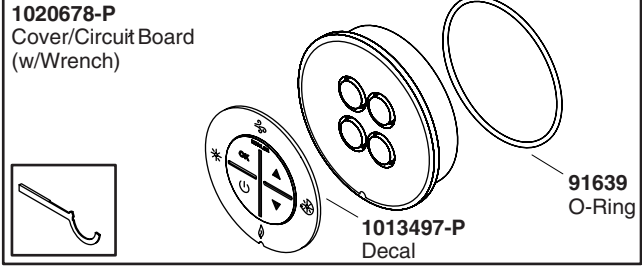
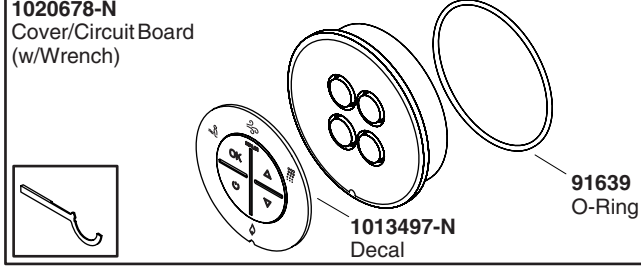
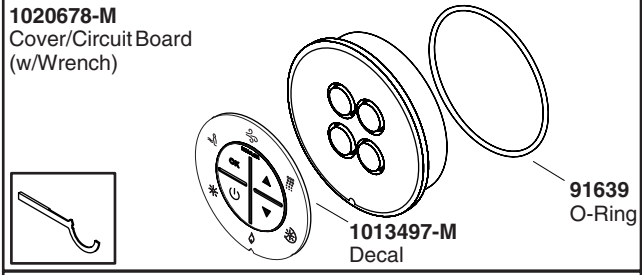
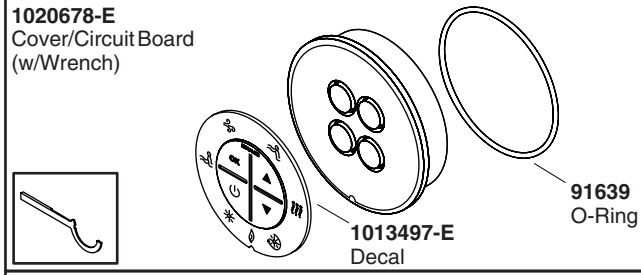
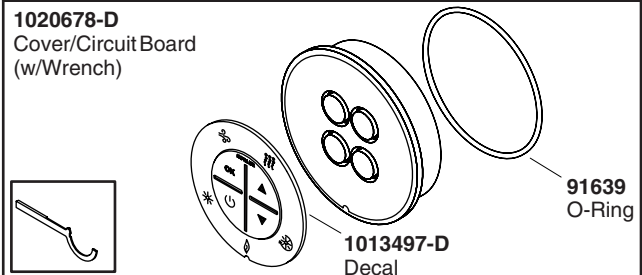
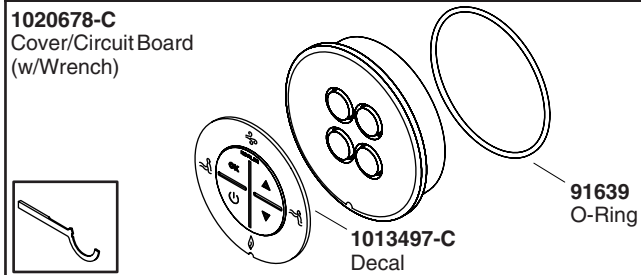
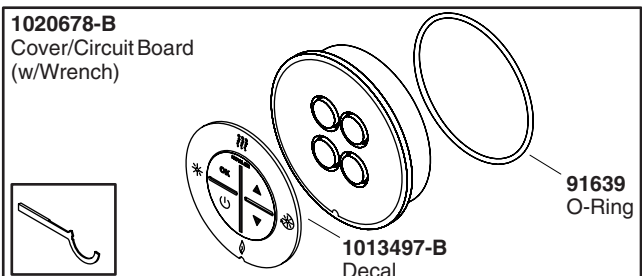
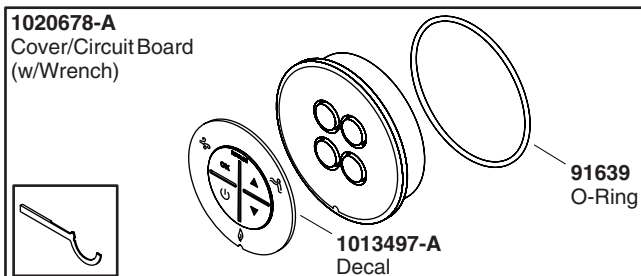
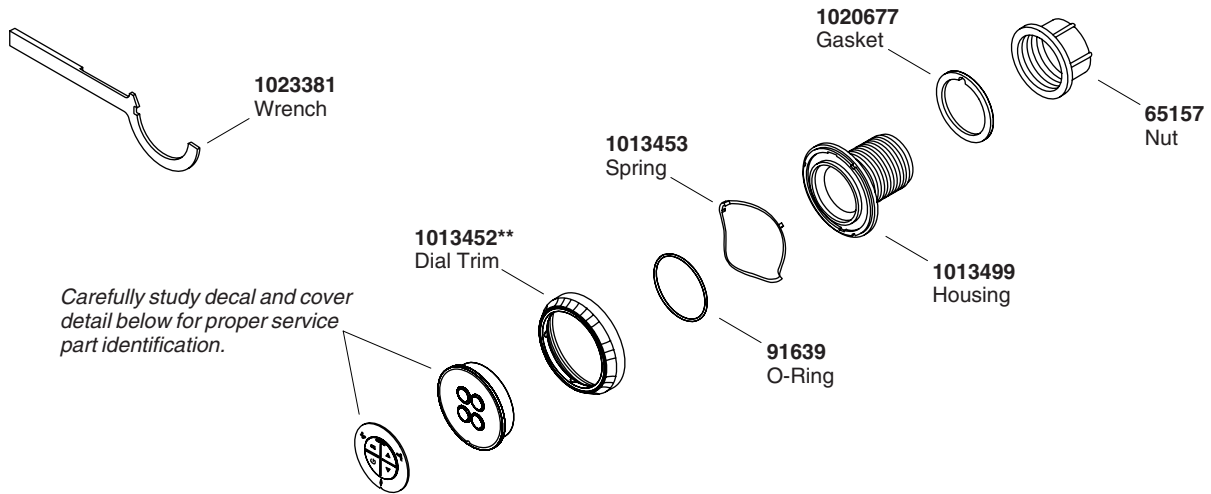


****Finish/color code must be specified when ordering.**

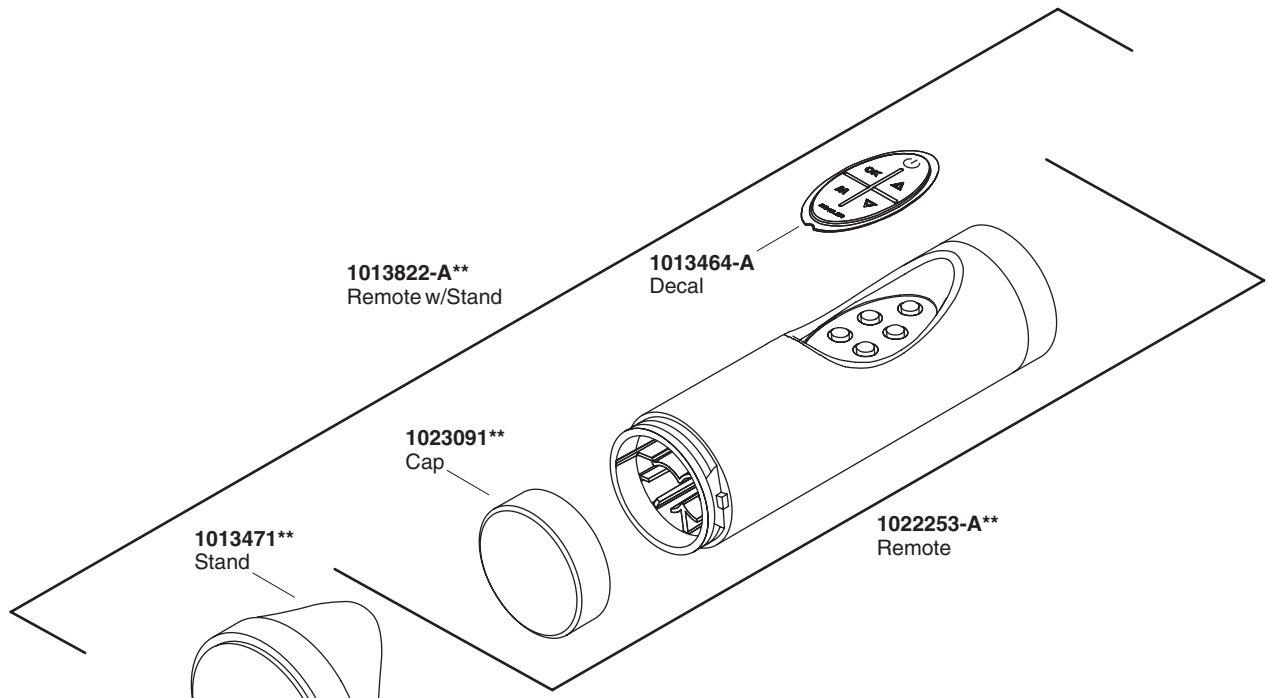




****Finish/color code must be specified when ordering.**



****Finish/color code must be specified when ordering.**



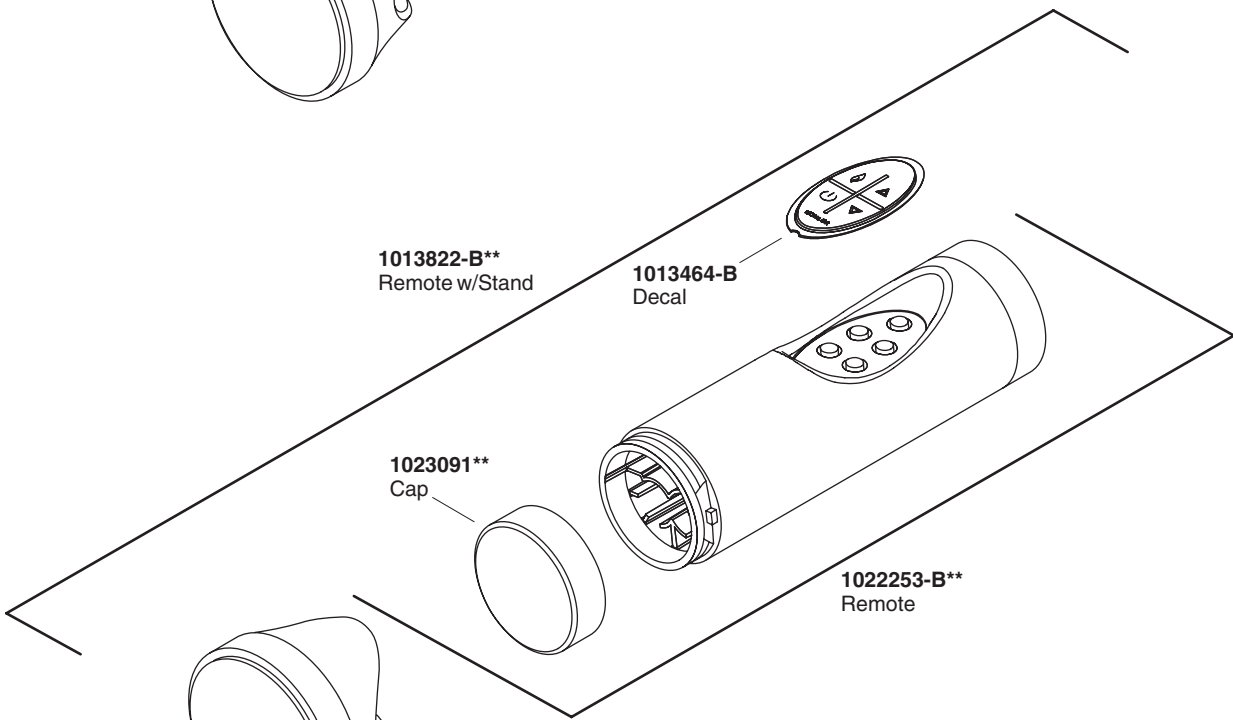
1013822-A**
Remote w/Stand

1013464-A
Decal

1023091**
Cap

1022253-A**
Remote

1013471**
Stand



1013822-B**
Remote w/Stand

1013464-B
Decal

1023091**
Cap

1022253-B**
Remote

1013471**
Stand

****Finish/color code must be specified when ordering.**