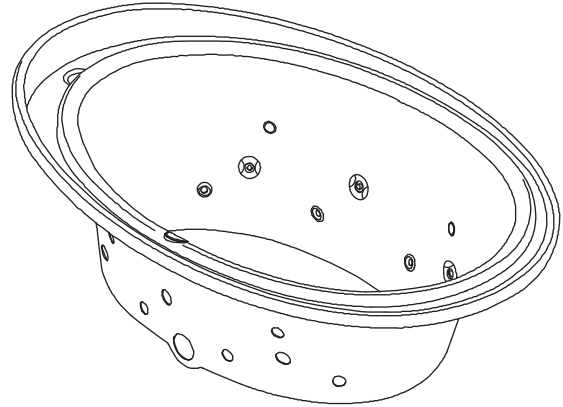


Features

- Acrylic
- 6 Flexjets™
- 8 effervescent ports
- Overflows into horizontal overflow drain for maximum bathing depth
- Color-matched jet trim included
- 4 chromatherapy lights
- Variable speed pump with 1.5 kW heater, back-lit user keypad, and remote control
- Coordinates with the Purist® Suite
- Deep bathing well 21" (533 mm)
- 72" (1829 mm) x 46" (1168 mm) x 25-11/16" (652 mm)

BATH WHIRLPOOL WITH SPA EXPERIENCE K-1110-AH



Codes/Standards Applicable

Specified model meets or exceeds the following:

- ASME A112.19.7
- UL 1795
- CSA B45.5/IAPMO Z124
- ASTM E162
- ASTM E662

Colors/Finishes

- 0: White
- Other: Refer to Price Book for additional colors/finishes

Accessories

- CP: Polished Chrome
- NA: None applicable
- Other: Refer to Price Book for additional colors/finishes

Specified Model

| Model | Description | Colors/Finishes | |
|-----------------------------|---|-----------------------------|-------------------------------------|
| K-1110-AH | Bath whirlpool with spa experience | <input type="checkbox"/> 0 | <input type="checkbox"/> Other_____ |
| Required Accessories | | | |
| K-589 | Undermount template kit (for undermount installations only) | <input type="checkbox"/> NA | |
| K-7273 | Clearflo horizontal overflow bath drain | <input type="checkbox"/> CP | <input type="checkbox"/> Other_____ |
| Optional Accessories | | | |
| K-1601 | Footstop | <input type="checkbox"/> 0 | <input type="checkbox"/> Other_____ |
| K-1491 | Pillow | <input type="checkbox"/> 0 | <input type="checkbox"/> Other_____ |

Product Specification

The acrylic bath whirlpool shall be 72" (1829 mm) in length, 46" (1168 mm) in width, and 25-11/16" (652 mm) in height. Product shall have 6 Flexjets, 8 effervescence ports, 4 chromatherapy lights, and color-matched trim. Product shall have a variable speed pump with a 1.5 kW heater, back-lit user keypad, and remote control. Product shall overflow into a horizontal overflow drain for maximum bathing depth. Product shall have a 21" (533 mm) deep bathing well. Product shall coordinate with Purist Suite. Bath whirlpool shall be Kohler Model K-1110-AH-_____.

PURIST®

Technical Information

| | |
|---|----------------------------------|
| Fixture*: | |
| Bathing well: | |
| Basin area, bottom | 45" (1143 mm) x 25-1/2" (648 mm) |
| Basin area, top | 63" (1600 mm) x 31-1/2" (800 mm) |
| Weight | 160 lbs (72.6 kg) |
| To overflow" | |
| Water depth to rim | 21" (533 mm) |
| Capacity | 115 gal (435.3 L) |
| * Approximate measurements for comparison only. | |

| | |
|---------------------------------|-----------|
| Included components: | |
| Cut-out template (drop-in only) | 1016369-7 |

| Pump | Heater | V | Hz | A |
|------|--------|-----|-------|----|
| | 1.5 kW | 240 | 50/60 | 11 |

Required Electrical Service

| | |
|--|---------------------------|
| Dedicated circuit required, protected with Class A Ground-Fault Circuit-Interrupter (GFCI) or Residual Current Device (RCD): | |
| Pump/control | 220/240 V, 20 A, 50/60 Hz |

Installation Notes

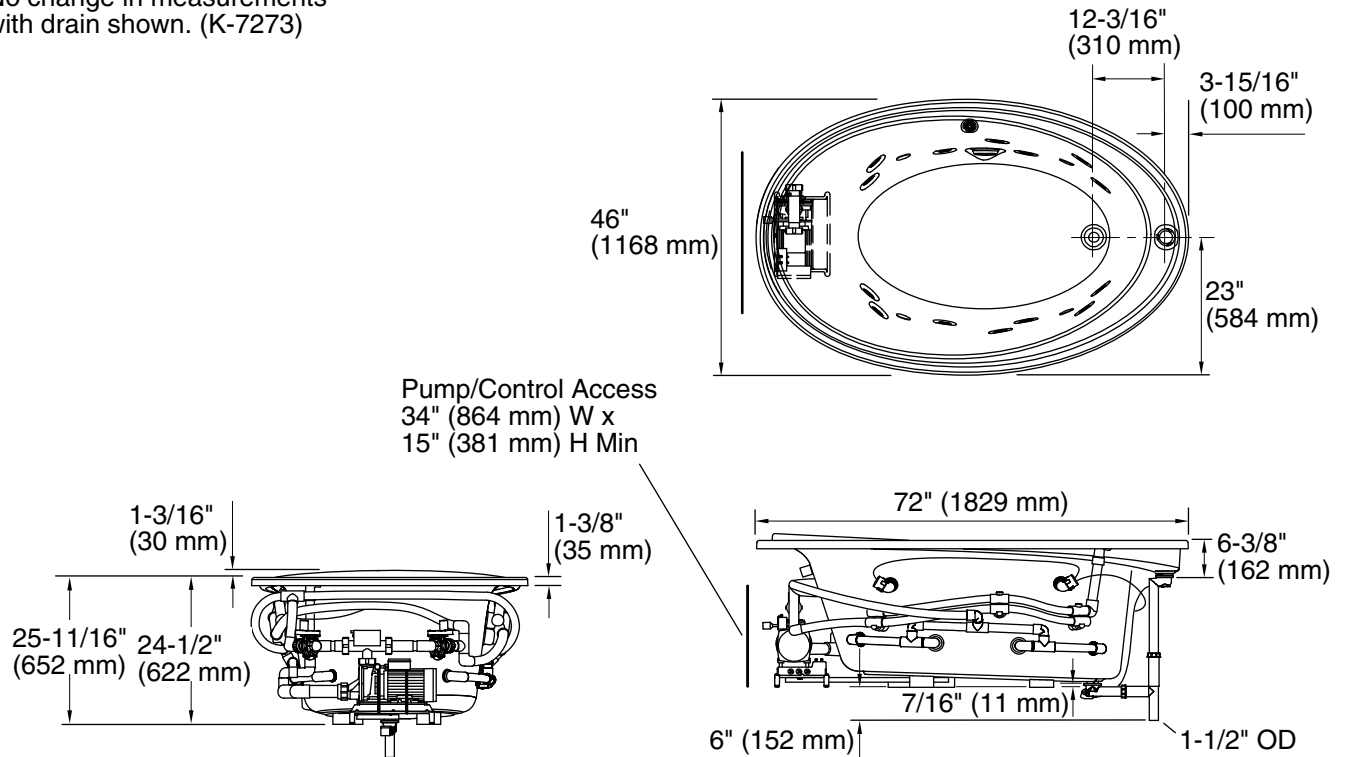
Install this product according to the installation guide.

Pump/piping protrudes beyond rim (see below).

Floor support under whirlpool must provide a minimum of 50 lbs/square foot (243 kg/square meter) loading.

Hot water supply should be 70% of capacity or greater. Installations will vary.

No change in measurements with drain shown. (K-7273)



Product Diagram