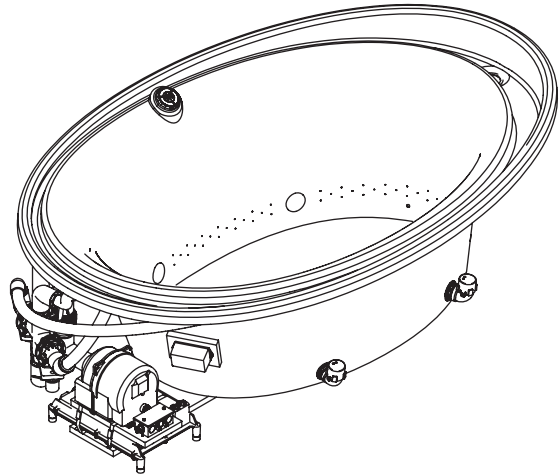


Features

- Acrylic
- Overflows into horizontal overflow drain for maximum bathing depth
- Zones of Control™ concentrates massage at back, midsection, or feet
- 122 BubbleMassage™ airjets
- Blower motor with 300 W heater and electronic back-lit user control
- 21" (533 mm) deep bathing well
- Coordinates with the Purist® Suite
- 72" (1829 mm) x 46" (1168 mm) x 25-11/16" (652 mm)

BUBBLEMASSAGE™ BATH K-1110-G ALSO K-1110-GCR



Codes/Standards Applicable

Specified model meets or exceeds the following:

- ASME A112.19.7
- UL 1795
- CSA B45.5/IAPMO Z124

Colors/Finishes

- 0: White
- Other: Refer to Price Book for additional colors/finishes

Accessories

- 0: White
- CP: Polished Chrome
- NA: None applicable
- Other: Refer to Price Book for additional colors/finishes

Specified Model

Model	Description	Colors/Finishes	
K-1110-G	BubbleMassage bath – less chromatherapy	<input type="checkbox"/> 0	<input type="checkbox"/> Other_____
K-1110-GCR	BubbleMassage bath – with chromatherapy	<input type="checkbox"/> 0	<input type="checkbox"/> Other_____

Required Accessories

K-589	Undermount template kit (for undermount installations only)			<input type="checkbox"/> NA
K-7273	Clearflo horizontal overflow bath drain	<input type="checkbox"/> CP	<input type="checkbox"/> Other_____	

Optional Accessories

K-1491	Pillow	<input type="checkbox"/> 0	<input type="checkbox"/> Other_____
K-1601	Footstop	<input type="checkbox"/> 0	<input type="checkbox"/> Other_____

Product Specification

The acrylic BubbleMassage bath shall be 72" (1829 mm) in length, 46" (1168 mm) in width, and 25-11/16" (652 mm) in height. Product shall feature a blower motor with 300 W heater and electronic back-lit user control. Product shall feature 122 BubbleMassage airjets and Zones of Control which concentrates massage at the back, midsection, or feet. Product shall overflow into a horizontal overflow drain for maximum bathing depth. Product shall feature a 21" (533 mm) deep bathing well. Product shall coordinate with Purist Suite. BubbleMassage bath shall be Kohler Model K-1110-G____-____.

PURIST®

Optional Accessories

K-1705	Remote control	<input type="checkbox"/> NA		
K-9498	3" (76 mm) metal finish keypad trim		<input type="checkbox"/> CP	<input type="checkbox"/> Other_____

Technical Information

Fixture*:				
Bathing well:				
Basin area, bottom	45" (1143 mm) x 25-1/2" (648 mm)			
Basin area, top	63" (1600 mm) x 31-1/2" (800 mm)			
Weight	134 lbs (60.8 kg)			
To overflow:				
Water depth	21" (533 mm)			
Capacity	115 gal (435.3 L)			
* Approximate measurements for comparison only.				
Included components:				
Cut-out template (drop-in only)	1016369-7			
Blower motor / control:	kW	V	Hz	A
	300	220-240	50/60	3

Required Electrical Service

Dedicated circuit required, protected with Class A Ground-Fault Circuit-Interrupter (GFCI) or Residual Current Device (RCD):

Blower motor/control 220-240 V, 15 A, 50/60 Hz

Installation Notes

Install this product according to the installation guide.

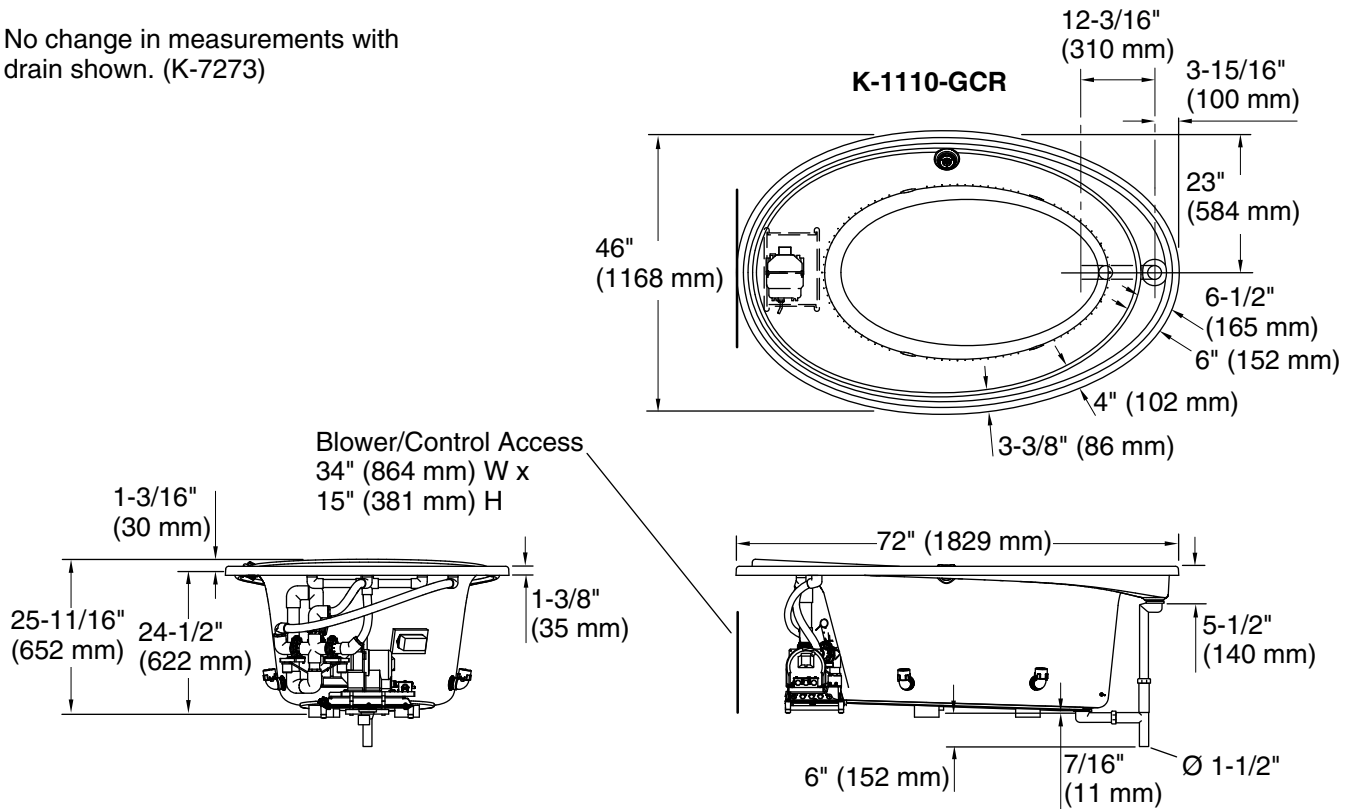
Floor support under bath must provide for a minimum of 49 lbs/square foot (238 kg/square meter) loading.

Hot water supply should be 70% of capacity or greater. Installations will vary.

This bath is designed for drop-in installation only. It is not suited for use in a three wall alcove with an overhead shower.

A blower motor/control access panel is required.

No change in measurements with drain shown. (K-7273)



Product Diagram