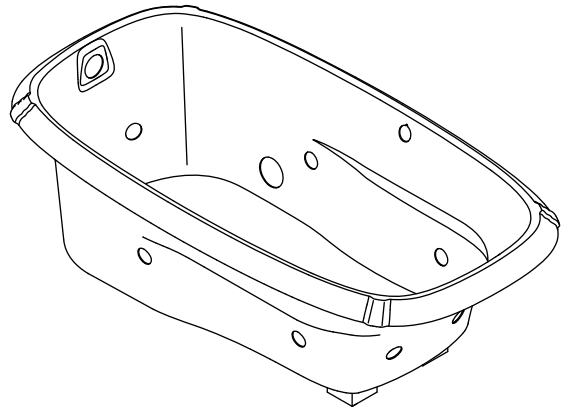


Features

- Acrylic
- Variable speed pump with 1.5 kW heater, back-lit user keypad, and remote control
- 8 Flexjet™ whirlpool jets
- Less all trim
- UL listed
- Custom pump location
- 60" (1524 mm) x 32" (813 mm) x 20" (508 mm)

5' CUSTOM BATH WHIRLPOOL K-1014-HA



Codes/Standards Applicable

Specified model meets or exceeds the following:

- ASME A112.19.7
- UL 1795
- ASTM E162
- ASTM E662
- CSA B45.5/IAPMO Z124

Colors/Finishes

- 0: White
- Other: Refer to Price Book for additional colors/finishes

Accessories

- CP: Polished Chrome
- PB: Vibrant® Polished Brass
- NA: None applicable

Specified Model

Model	Description	Colors/Finishes		
K-1014-HA	5' custom bath whirlpool	<input type="checkbox"/> 0	<input type="checkbox"/> Other_____	
Required Accessories				
K-9698	Jet trim kit	<input type="checkbox"/> CP	<input type="checkbox"/> PB	<input type="checkbox"/> Other_____
Recommended Accessories				
K-7161-AF	Adjustable pop-up drain	<input type="checkbox"/> CP	<input type="checkbox"/> PB	<input type="checkbox"/> Other_____
Optional Accessories				
K-1491	Pillow	<input type="checkbox"/> 0	<input type="checkbox"/> Other_____	
K-1601	Footstop	<input type="checkbox"/> 0	<input type="checkbox"/> Other_____	
K-1703	Remote control			<input type="checkbox"/> NA

Product Specification

The acrylic bath whirlpool shall be 60" (1524 mm) in length, 32" (813 mm) in width, and 20" (508 mm) in height. Product shall have 8 Flexjets, a variable speed pump with 1.5 kW heater, back-lit user keypad, and remote control. Product shall have a custom pump location. Product shall be UL listed. Product shall be less all trim. Bath whirlpool shall be Kohler Model K-1014-HA-_____.

PORTRAIT®

Technical Information

Fixture*:	
Basin area:	
Bathing well	42" (1067 mm) x 20" (508 mm)
Top area	51" (1295 mm) x 24" (610 mm)
Weight	110 lbs (49.8 kg)
To overflow:	
Water depth	14" (356 mm)
Capacity	60 gal (227 L)
* Approximate measurements for comparison only.	

Included component:	
Cut-out template	1022451-7

Pump:	V	Hz	A	
Variable speed	220-240	50/60	11	
Heater:	kW	V	Hz	A
	1.5	220-240	50/60	11

Required Electrical Service

Dedicated circuit required, protected with a Class A Ground-Fault Circuit-Interrupter (GFCI) or Residual Current Device (RCD):	
Pump/control	220-240 V, 11 A, 50/60 Hz

Installation Notes

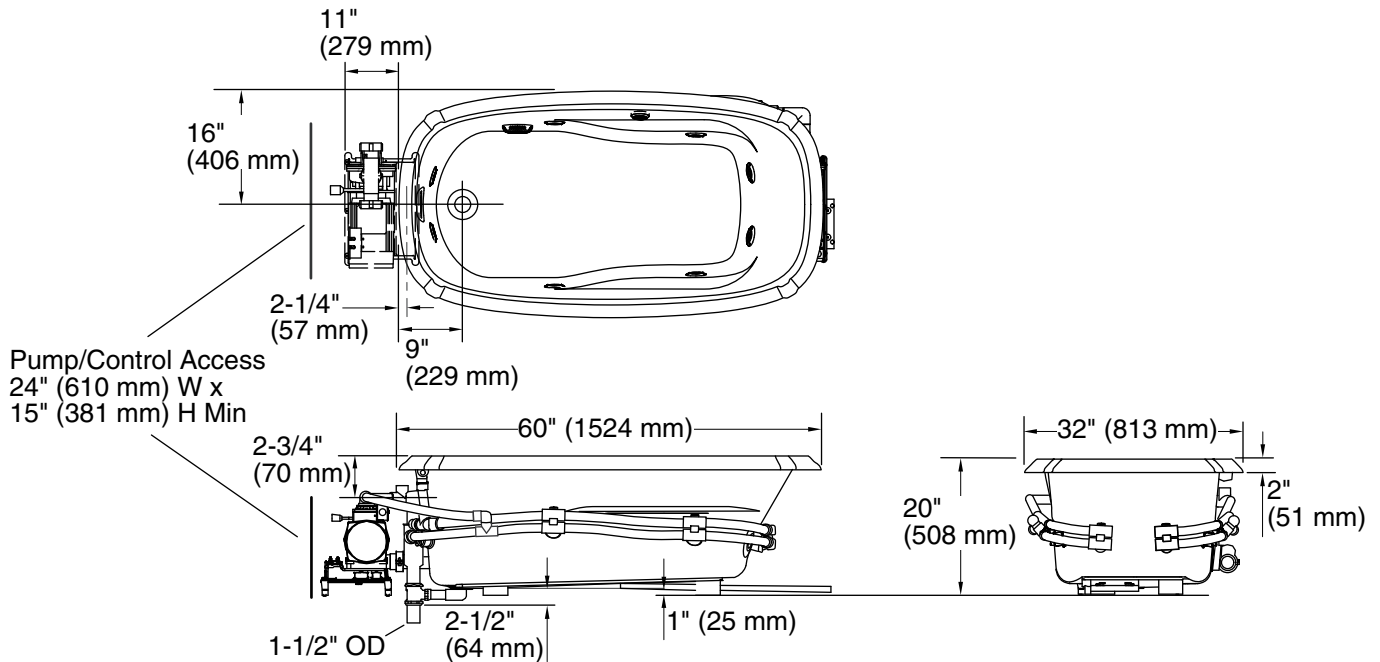
Install this product according to the installation guide.

Pump must be relocated to custom position at the time of installation. Provide adequate clearance.

Floor support under whirlpool must provide for a minimum of 48 lbs/square foot (233 kg/square meter) loading.

Hot water supply should be 70% of capacity or greater. Installations will vary.

No change in measurements with drain shown. (K-7161-AF or K-7161M-AF)



Product Diagram