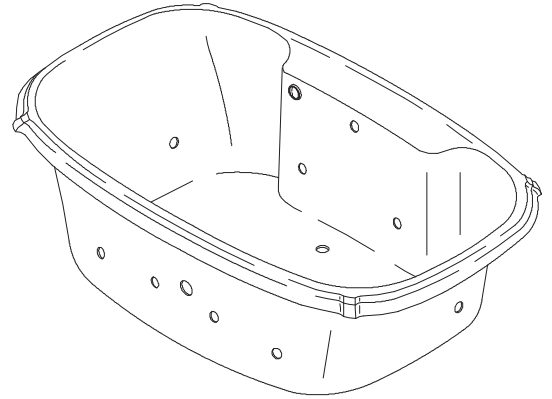


### Features

- Acrylic
- Variable speed pump with 1.5 kW heater, back-lit user keypad, and remote control
- 8 Flexjet™ whirlpool jets
- Less all trim
- Custom pump locations
- 67" (1702 mm) x 42" (1067 mm) x 22" (559 mm)

### 5.5' CUSTOM BATH WHIRLPOOL K-1457-HB ALSO K-1457-HF/-HJ/-HN



### Codes/Standards Applicable

Specified model meets or exceeds the following:

- CSA B45.5/IAPMO Z124
- ASME A112.19.7
- CSA B45.10
- CSA C22.2 No 218.2
- UL 1795
- ASTM E162
- ASTM E662

### Colors/Finishes

- 0: White
- Other: Refer to Price Book for additional colors/finishes

### Accessories

- CP: Polished Chrome
- PB: Polished Brass
- Other: Refer to Price Book for additional colors/finishes

### Specified Model

Model	Description	Colors/Finishes	
K-1457-HB	5.5 bath whirlpool, custom pump	<input type="checkbox"/> 0	<input type="checkbox"/> Other_____
K-1457-HF	5.5 bath whirlpool, custom pump	<input type="checkbox"/> 0	<input type="checkbox"/> Other_____
K-1457-HJ	5.5 bath whirlpool, custom pump	<input type="checkbox"/> 0	<input type="checkbox"/> Other_____
K-1457-HN	5.5 bath whirlpool, custom pump	<input type="checkbox"/> 0	<input type="checkbox"/> Other_____

#### Required Accessories

K-9698	Jet trim kit	<input type="checkbox"/> CP	<input type="checkbox"/> PB	<input type="checkbox"/> Other_____
--------	--------------	-----------------------------	-----------------------------	-------------------------------------

#### Recommended Accessories

K-7161-AF	Adjustable pop-up drain	<input type="checkbox"/> CP	<input type="checkbox"/> PB	<input type="checkbox"/> Other_____
-----------	-------------------------	-----------------------------	-----------------------------	-------------------------------------

#### Optional Accessories

K-1601	Footstop	<input type="checkbox"/> 0	<input type="checkbox"/> Other_____
--------	----------	----------------------------	-------------------------------------

Refer to the Kohler Price Book for additional accessories.

### Product Specification

The acrylic bath whirlpool shall be 67" (1702 mm) in length, 42" (1067 mm) in width, and 22" (559 mm) in height. Bath whirlpool shall have 8 Flexjets, a variable speed pump with 1.5 kW heater, back-lit user keypad, and remote control. Bath whirlpool shall be less all trim. Bath whirlpool shall be Kohler Model K-1457-\_\_\_\_\_-\_\_\_\_\_.

# PORTRAIT®

## Technical Information

Fixture*:	
Bathing well:	
Basin area, bottom	50" (1270 mm) x 29" (737 mm)
Basin area, top	61" (1549 mm) x 32" (813 mm)
Weight	130 lbs (59 kg)
To overflow:	
Water depth	16" (406 mm)
Capacity	100 gal (378.5 L)
* Approximate measurements for comparison only.	

Pump	kW	V	A*
	1.5	240	11
* Approximate measurements for comparison only.			

Included component:	
Cut-out template	113311-7

## Required Electrical Service

Dedicated circuit required, protected with Class A Ground-Fault Circuit-Interrupter (GFCI) or Residual Current Device (RCD):	
Pump/control	208-240 V, 20 A, 50/60 Hz

## Installation Notes

Install this product according to the installation guide.

Floor support under whirlpool must provide for a minimum of 48 lbs/square foot (231 kg/square meter) loading.

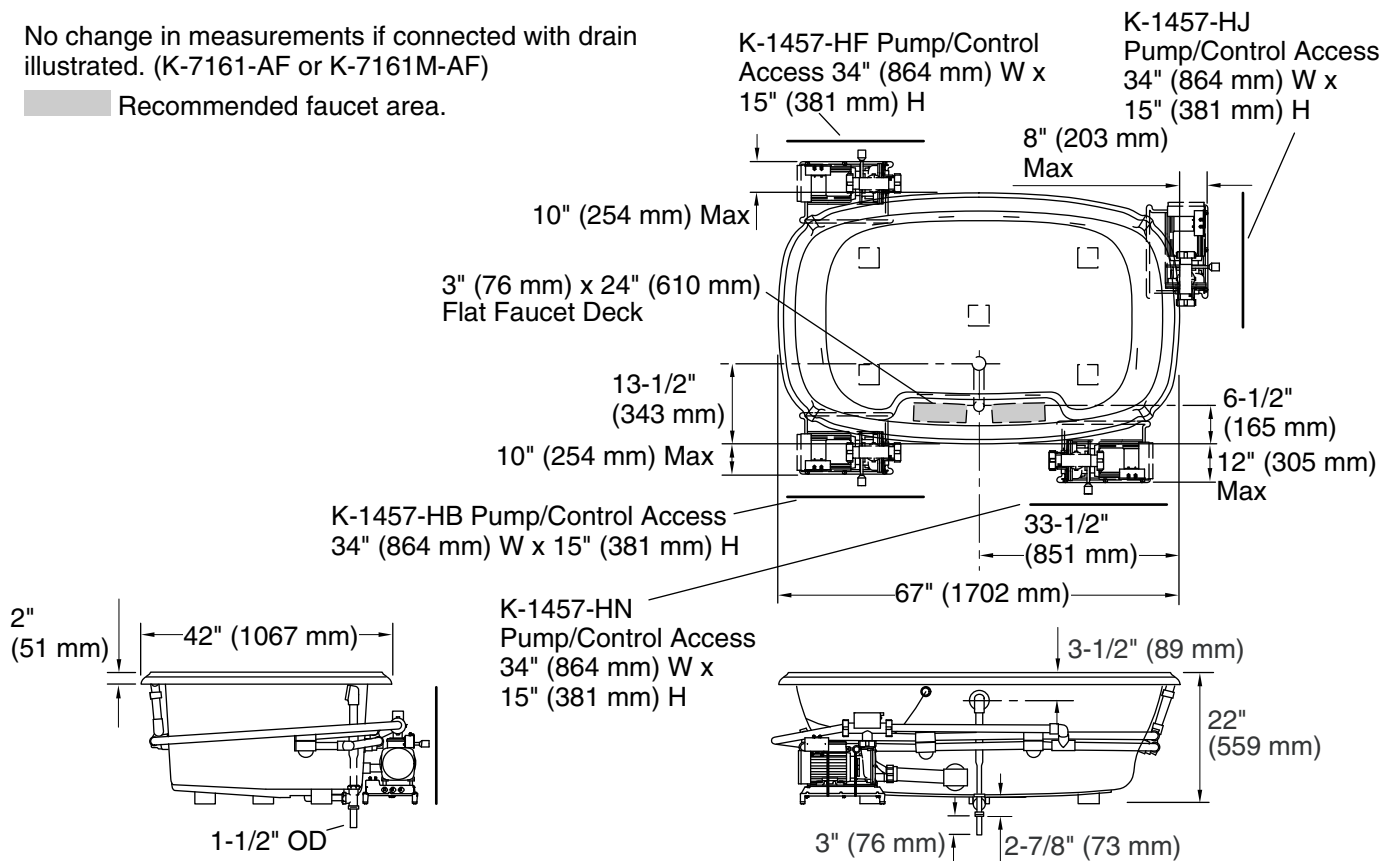
Hot water supply should be 70% of capacity or greater. Installations will vary.

If installing a rim-mount faucet, make sure there is no interference with drain overflow and circulating system before drilling any holes. Consult local and national codes for minimum air gap requirements if installing a spout on the faucet deck.

Pump must be relocated to custom position at the time of installation. Provide adequate clearance.

No change in measurements if connected with drain illustrated. (K-7161-AF or K-7161M-AF)

█ Recommended faucet area.



## Product Diagram