

Features

- Brass construction
- Fixture-mount design
- Includes a 9 V lithium battery
- Intended for urinal installations with 3/4" spud coupling connection
- Electronic infrared sensor with WAVE technology for accurate activation
- 0.125 gpf (0.47 lpf) flow rate
- WaterSense® compliant when used with K-4904-ET urinal

Codes/Standards Applicable

Specified model meets or exceeds the following:

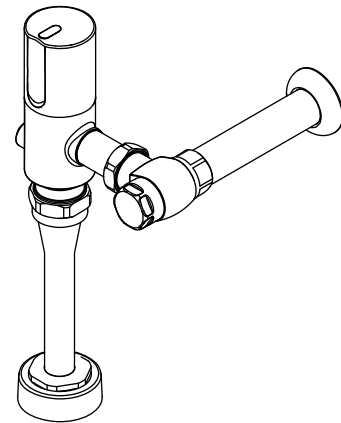
- ADA
- ICC/ANSI A117.1
- CSA B651
- OBC
- CSA B64
- CSA B125.3
- ICES-003 Class B
- ASSE 1037
- FCC 47, Part 15
- EN 55022
- ASME A112.18.1/CSA B125.1
- EPA WaterSense®

Specified Model

Model	Description	Colors/Finishes
K-10668	Exposed flushometer, washdown	<input type="checkbox"/> CP

**EXPOSED FLUSHOMETER
K-10668**

ADA | CSA B651 | OBC



Colors/Finishes

- CP: Polished Chrome

Product Specification

Exposed flushometer shall be made of brass construction. Flushometer shall feature electronic infrared sensor with WAVE technology for accurate activation. Flushometer shall be of a fixture-mount design. Flushometer is intended for urinal installations with a 3/4" spud coupling connection. Flushometer shall have a 0.125 gpf (0.47 lpf) flow rate. Flushometer shall be WaterSense compliant when used with K-4904-ET urinal. Flushometer includes a 9 V lithium battery. Exposed flushometer shall be Kohler Model K-10668-CP.

Technical Information

Recommended operating pressure:
25 psi (172 kPa) flowing - 80 psi (552 kPa) static*
* Pressure over 80 psi (552 kPa) is not recommended on most plumbing fixtures.

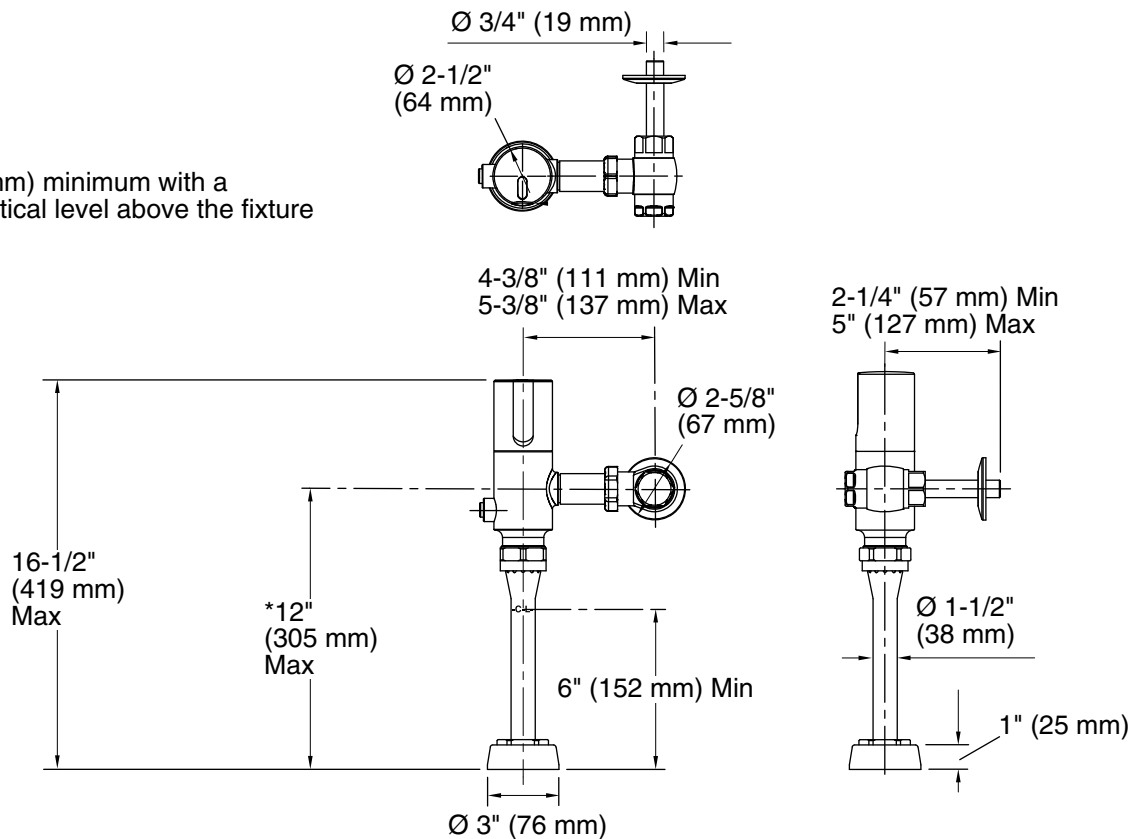
Installation Notes

Install this product according to the installation guide.

IMPORTANT! Maintain a 6" (152 mm) minimum critical level above the fixture.

ADA, CSA B651, OBC compliant when installed to the specific requirements of these regulations.

*10-3/4" (273 mm) minimum with a 6" (152 mm) critical level above the fixture



Product Diagram

EXPOSED FLUSHOMETER

Page 2 of 2
1140767-4-E

THE BOLD LOOK
OF **KOHLER**®