

**Features**

- Brass construction
- Fixture-mount design
- Includes a 9 V lithium battery
- Intended for toilet installations with 1-1/2" spud coupling connection
- Electronic infrared sensor with WAVE technology for accurate activation
- Retrofit models require a control stop and vacuum breaker
- 1.28 gpf (4.8 lpf) flow rate [K-10673 and K-10666]
- 1.6 gpf (6.0 lpf) flow rate [K-10674 and K-10677]
- Slow-closing piston technology

**Codes/Standards Applicable**

Specified model meets or exceeds the following:

- ADA
- ICC/ANSI A117.1
- CSA B651
- OBC
- ASME A112.18.1/CSA B125.1
- CSA B125.3
- CSA B64
- ASSE 1037
- FCC 47, Part 15
- EN 55022

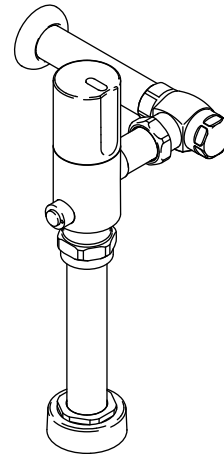
**Specified Model**

Model	Description	Colors/Finishes
K-10666	Exposed WAVE flushometer (retrofit) - 1.28 gpf (4.8 lpf)	<input type="checkbox"/> CP
K-10673	Exposed WAVE flushometer - 1.28 gpf (4.8 lpf)	<input type="checkbox"/> CP
K-10674	Exposed WAVE flushometer - 1.6 gpf (6.0 lpf)	<input type="checkbox"/> CP
K-10677	Exposed WAVE flushometer (retrofit) - 1.6 gpf (6.0 lpf)	<input type="checkbox"/> CP

**EXPOSED WAVE FLUSHOMETER  
K-10673**

**ALSO K-10674, K-10677, K-10666**

**ADA** **CSA B651** **OBC**



**Colors/Finishes**

- CP: Polished Chrome

**Product Specification**

Exposed flushometer shall be made of brass construction. Flushometer shall feature electronic infrared sensor with WAVE technology for accurate activation. Flushometer shall be of a fixture-mount design. Flushometer is intended for toilet installations with a 1-1/2" spud coupling connection, and retrofit models require a control stop and vacuum breaker. Flushometer shall have a 1.28 gpf (4.8 lpf) flow rate [K-10673 and K-10666] or 1.6 gpf (6.0 lpf) flow rate [K-10674 and K-10677]. Flushometer includes a 9 V lithium battery. Flushometer shall have slow-closing piston technology. Exposed flushometer shall be Kohler Model K-\_\_\_\_\_-CP.

## Technical Information

Recommended operating pressure:
25 psi (172 kPa) flowing - 80 psi (552 kPa) static*
* Pressure over 80 psi (552 kPa) is not recommended on most plumbing fixtures.

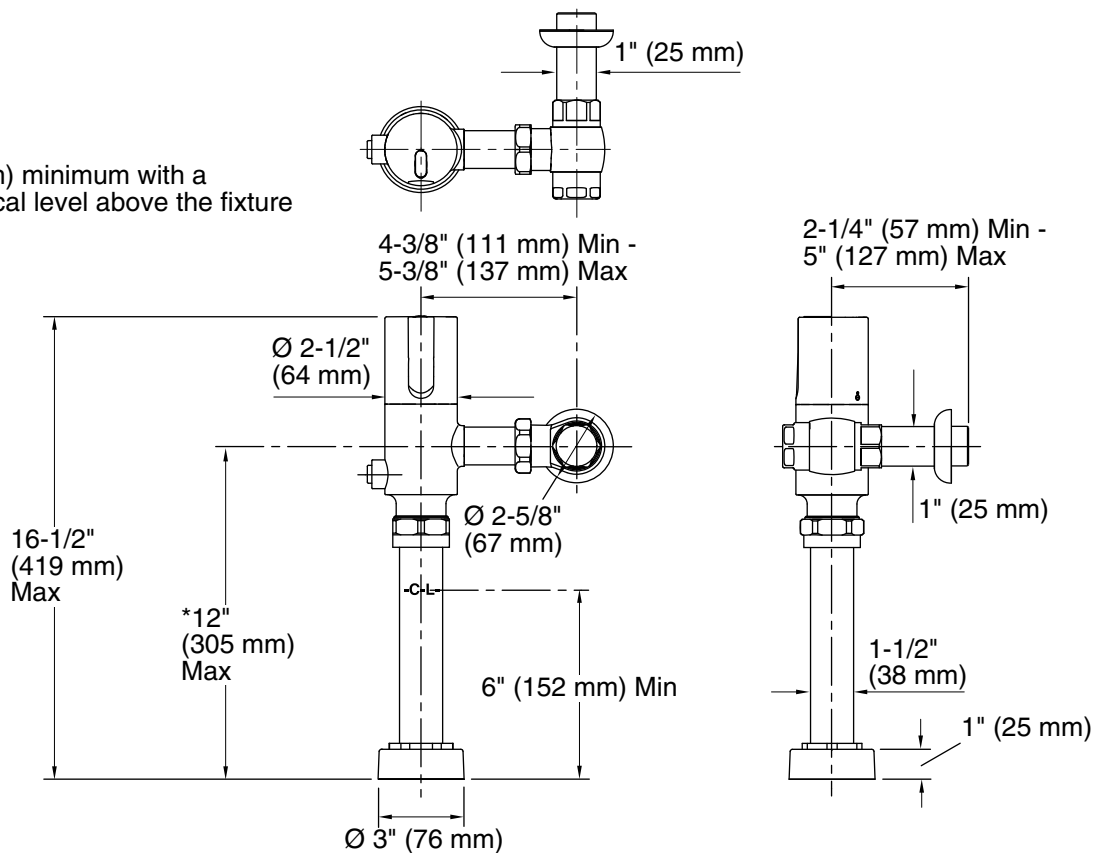
## Installation Notes

Install this product according to the installation guide.

**IMPORTANT!** Maintain a 6" (152 mm) minimum critical level above the fixture.

**ADA, CSA B651, OBC** compliant when installed to the specific requirements of these regulations.

\*10-3/4" (273 mm) minimum with a 6" (152 mm) critical level above the fixture



**Product Diagram**