

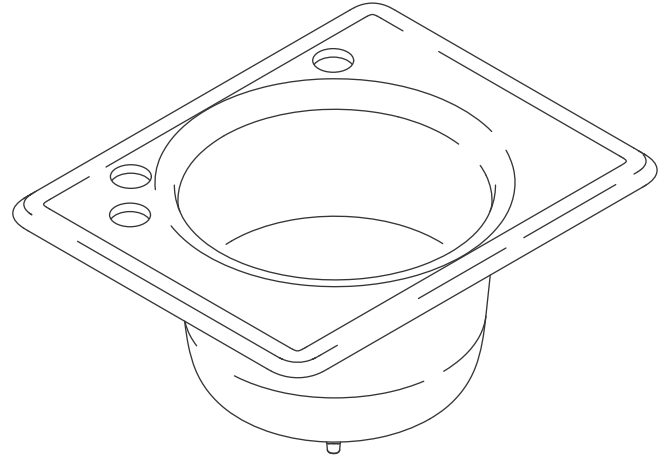
#### Features

- KOHLER cast iron
- Acid-resistant enamel finish
- Top-mount or under-mount
- Available with 1-, 2-, or 3-hole
- Includes soaking pan, laundry tray, and bottom bowl rack
- 27-1/2" (699 mm) x 22" (559 mm)

#### Codes/Standards Applicable

Specified model meets or exceeds the following:

- ASME A112.19.1/CSA B45.2



#### Colors/Finishes

- 0: White
- Other: Refer to Price Book for additional colors/finishes

#### Accessories

- 0: White
- ST: Stainless Steel

#### Specified Model

Model	Description	Colors/Finishes	
K-6654-1L	Top-mount sink with 1-faucet hole on left	<input type="checkbox"/> 0	<input type="checkbox"/> Other _____
K-6654-2L	Top-mount sink with 2-faucet holes on left	<input type="checkbox"/> 0	<input type="checkbox"/> Other _____
K-6654-3L	Top-mount sink with 2-faucet holes on left, 1-faucet hole on right (shown)	<input type="checkbox"/> 0	<input type="checkbox"/> Other _____
K-6654-2	Top-mount sink with 1-faucet hole on right, 1-faucet hole on left	<input type="checkbox"/> 0	<input type="checkbox"/> Other _____
K-6654-1LU	Under-mount sink with 1-faucet hole on left	<input type="checkbox"/> 0	<input type="checkbox"/> Other _____
K-6654-2LU	Under-mount sink with 2-faucet holes on left	<input type="checkbox"/> 0	<input type="checkbox"/> Other _____
K-6654-3LU	Under-mount sink with 2-faucet holes on left, 1-faucet hole on right	<input type="checkbox"/> 0	<input type="checkbox"/> Other _____
K-6654-2U	Under-mount sink with 1-faucet hole on right, 1-faucet hole on left	<input type="checkbox"/> 0	<input type="checkbox"/> Other _____

#### Product Specification

The top-mount or under-mount cast iron bar sink shall be 27-1/2" (699 mm) in length and 22" (559 mm) in width. Sink shall have acid-resistant enamel finish. Sink shall be single-hole, 2-hole, or 3-hole. Sink shall include soaking pan, laundry tray, and bottom bowl rack. Sink shall be Kohler Model K-6654-\_\_\_\_\_-\_\_\_\_\_.

# TANDEM™

## Included Accessories

K-6151	Soaking pan	<input type="checkbox"/> 0
K-6152	Laundry tray	<input type="checkbox"/> 0
K-6153	Bottom bowl rack	<input type="checkbox"/> ST

## Technical Information

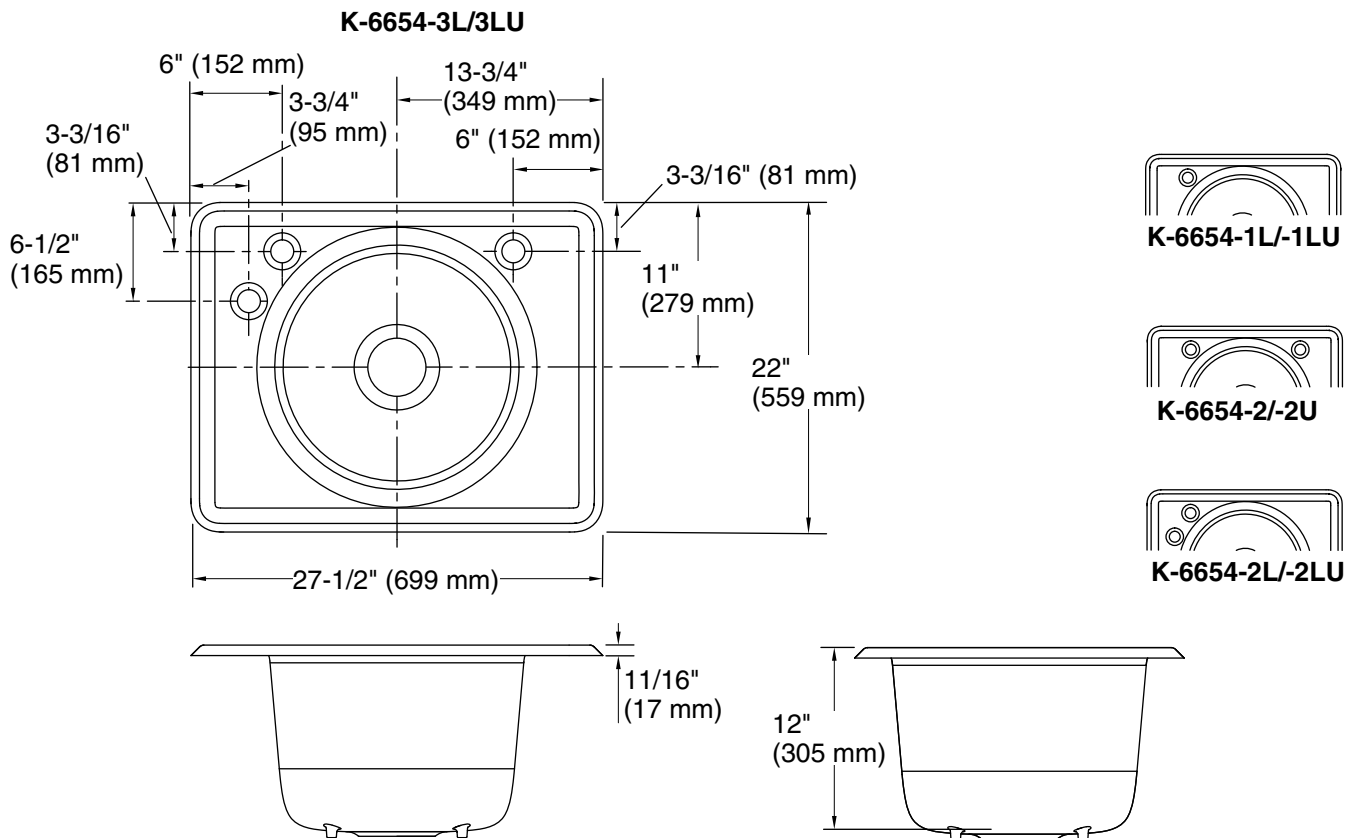
Fixture*:	
Bowl area	Ø 16-1/2" (419 mm)
Water depth	12" (305 mm)
Drain hole	Ø 3-7/8" (98 mm)
Faucet holes	Ø 1-3/8" (35 mm)
* Approximate measurements for comparison only.	

## Included components:

Cut-out template	1088499-7
Under-mount kit 23" (under-mount)	1054375

## Installation Notes

Install this product according to the installation guide.



## Product Diagram