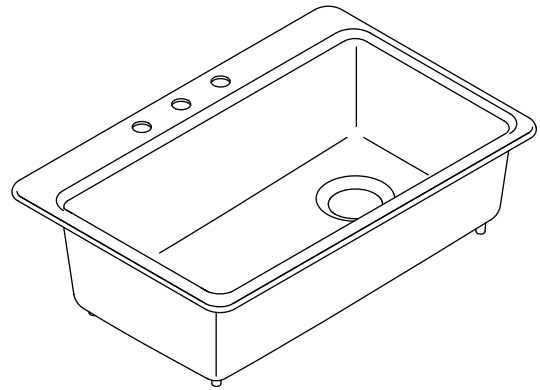


Features

- KOHLER cast iron
- Acid-resistant enamel finish
- Top-mount
- Available with one [-1A2], three [-3A2], or four holes [-4A2]
- Single bowl
- Includes left bottom bowl rack and colander with integral cutting board
- 33" (838 mm) x 22" (559 mm) x 9-5/8" (244 mm)

TOP-MOUNT KITCHEN SINK K-5871



Codes/Standards Applicable

Specified model meets or exceeds the following:

- ASME A112.19.1/CSA B45.2

Colors/Finishes

- 0: White
- Other: Refer to Price Book for additional colors/finishes

Accessories

- 0: White
- CP: Polished Chrome
- ST: Stainless Steel
- NA: None applicable
- Other: Refer to Price Book for additional colors/finishes

Specified Model

Model	Description	Colors/Finishes	
K-5871-1A2	Top-mount kitchen sink with one hole	<input type="checkbox"/> 0	<input type="checkbox"/> Other _____
K-5871-3A2	Top-mount kitchen sink with three holes (shown)	<input type="checkbox"/> 0	<input type="checkbox"/> Other _____
K-5871-4A2	Top-mount kitchen sink with four holes	<input type="checkbox"/> 0	<input type="checkbox"/> Other _____
Included Accessories			
K-6237	Bottom bowl rack, left side		<input type="checkbox"/> ST
K-6239	Colander with integral cutting board	<input type="checkbox"/> 0	
Recommended Accessories			
K-9000	P-Trap		<input type="checkbox"/> CP

Product Specification

The top-mount kitchen sink shall be made of cast iron with acid-resistant enamel finish. Sink shall be 33" (838 mm) in length, 22" (559 mm) in width, and 9-5/8" (244 mm) in depth. Sink shall be single bowl. Sink shall be available with one [-1A2], three [-3A2], or four holes [-4A2]. Sink shall include left bottom bowl rack and colander with integral cutting board. Sink shall be Kohler Model K-5871-____-____.

RIVERBY™

Optional Accessories

K-6194	Utility rack with soaking cup			<input type="checkbox"/> ST	
K-6246	Wood cutting board	<input type="checkbox"/> NA			
K-6255	Bottom bowl rack, right side			<input type="checkbox"/> ST	
K-8801	Duostrainer® sink strainer		<input type="checkbox"/> CP		<input type="checkbox"/> Other _____

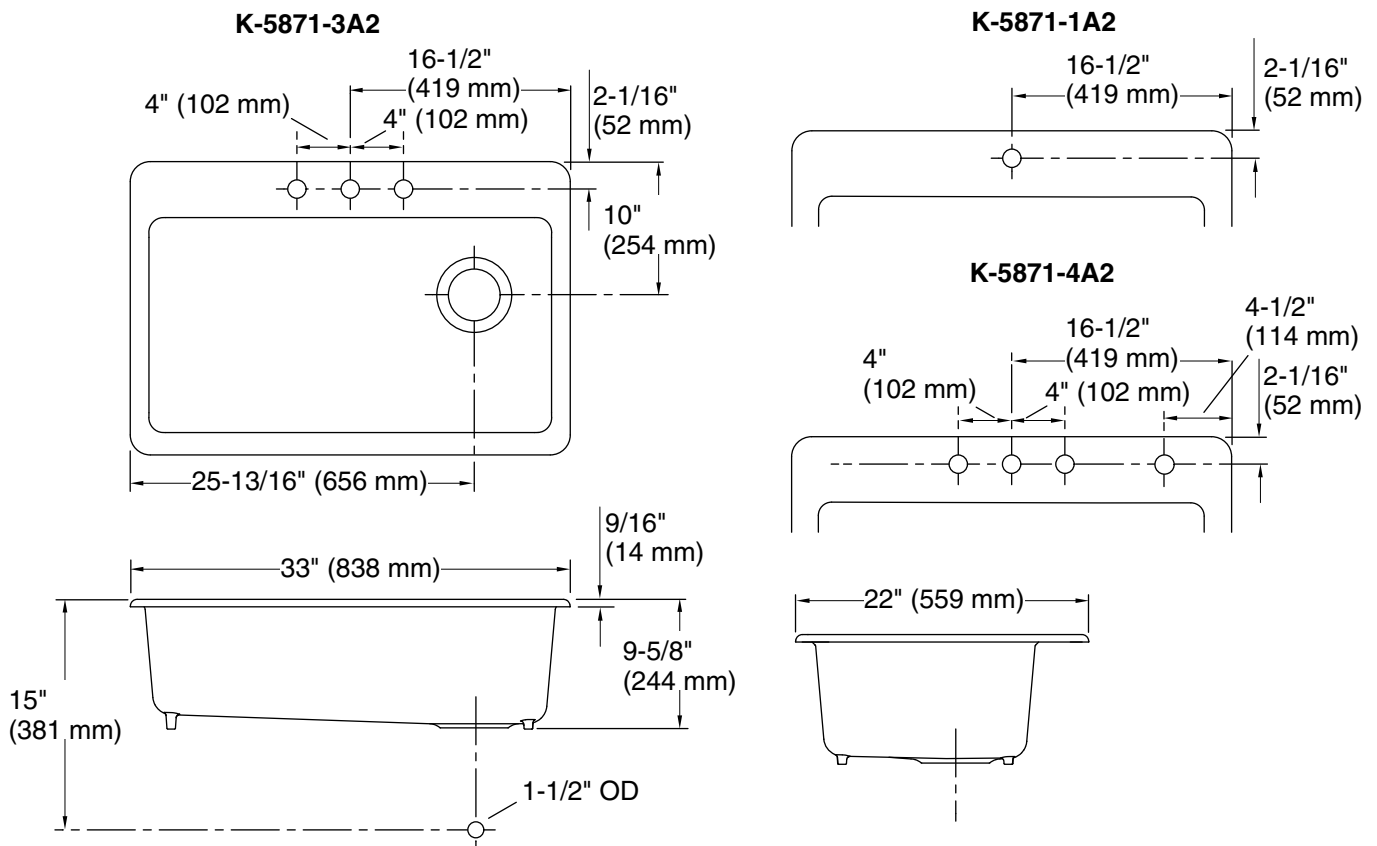
Technical Information

Fixture*:	
Bowl area	30-1/4" (768 mm) x 17-1/4" (438 mm)
Bowl depth	9" (229 mm)
Drain hole	Ø 3-7/8" (98 mm)
Faucet holes	Ø 1-3/8" (35 mm)
* Approximate measurements for comparison only.	
Included components:	
Cut-out template	1166727-7

Installation Notes

Install this product according to the installation guide.

NOTICE: Countertop manufacturer or cutter **must** use the cut-out template provided with the product, or a current one provided by Kohler Co. (call 1-800-4-KOHLER). Kohler Co. is not responsible for cutout errors when the incorrect cut-out template is used.



Product Diagram