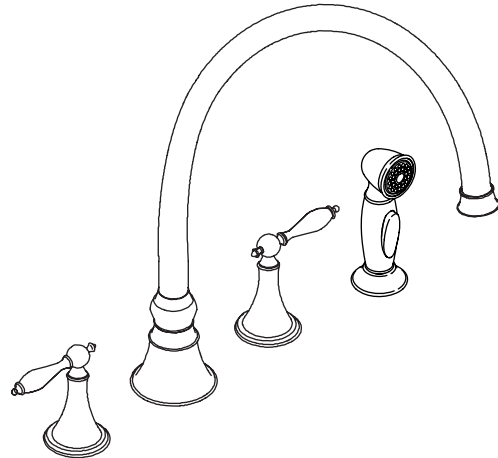


**Features**

- Brass construction
- Brass valve bodies
- Quarter-turn washerless ceramic disc valves
- 2.2 gpm (8.3 lpm) flow rate
- Lower flow aerator options are available (refer to the Kohler Price Book)
- Flexible connections for easy installation
- Traditional handles
- Handspray
- For 8" (20.3 cm) centers
- Available with contrasting or matching finish aerator housing, escutcheons, and handle caps and ends
- 9-3/16" (23.3 cm) swing spout



**Codes/Standards Applicable**

Specified model meets or exceeds the following:

- ASME A112.18.1/CSA B125.1
- IAPMO/cUPC
- NSF 61
- Energy Policy Act of 1992 (EPACT)
- ADA

**Colors/Finishes**

- CP: Polished Chrome
- BN: Brushed Nickel
- Other: Refer to Price Book for additional colors/finishes

**Specified Model**

Model	Description	Colors/Finishes		
K-377-4F	Kitchen faucet with biscuit accents	<input type="checkbox"/> CP	<input type="checkbox"/> BN	
K-377-4M	Kitchen faucet with polished finish accents	<input type="checkbox"/> CP	<input type="checkbox"/> BN	<input type="checkbox"/> Other _____
K-377-4P	Kitchen faucet with white accents	<input type="checkbox"/> CP	<input type="checkbox"/> BN	

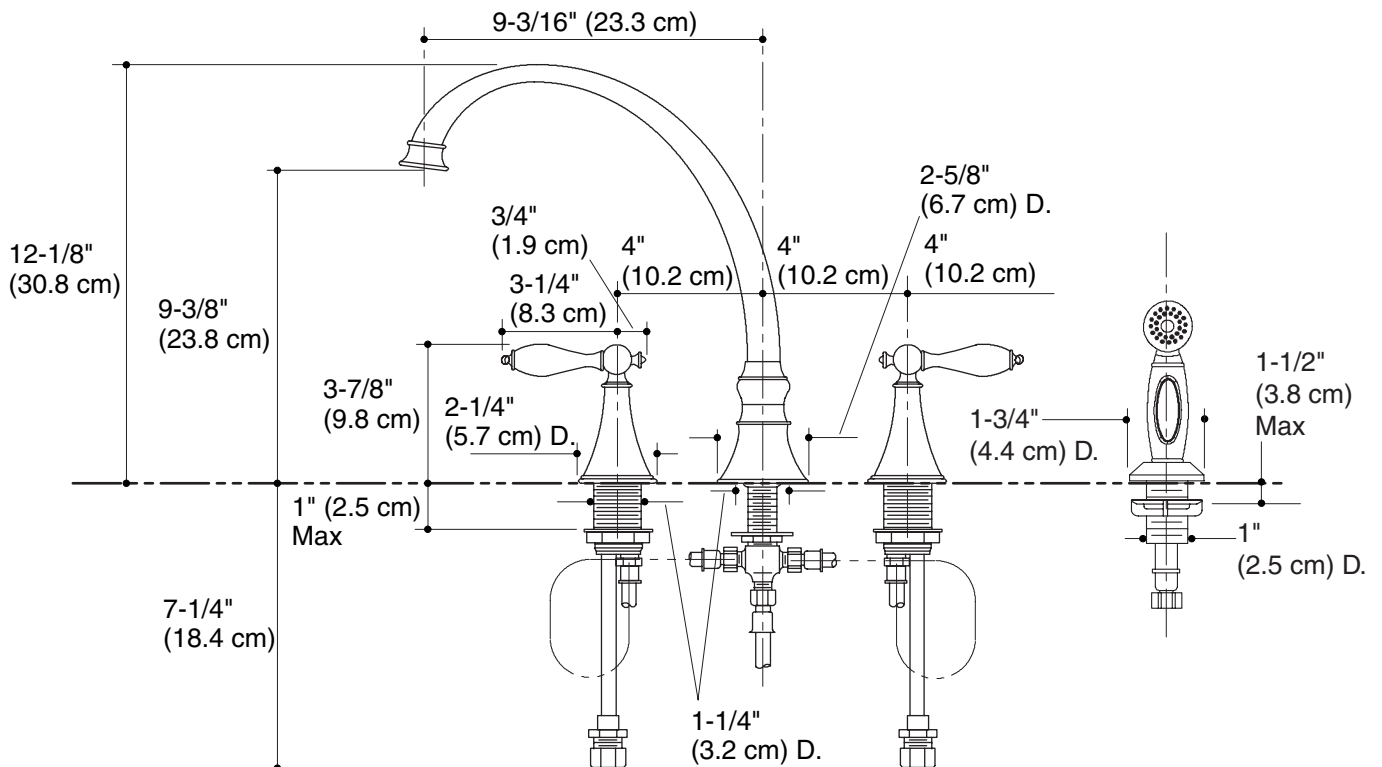
**Product Specification**

The two-handle kitchen faucet for 8" (20.3 cm) centers shall be of brass construction. Faucet shall feature brass valve bodies. Faucet shall feature quarter-turn washerless ceramic disc valves, assuring positive handle stop positioning. Faucet shall have a flow rate of 2.2 gpm (8.3 lpm) with lower flow aerator options available (refer to the Kohler Price Book). Faucet shall feature 9-3/16" (23.3 cm) swing spout, traditional handles, handspray, and flexible connections for easy installation. Faucet shall be Kohler Model K-377-\_\_\_\_\_-\_\_\_\_\_.

# FINIAL® TRADITIONAL

## Installation Notes

Install this product according to the installation guide.



## Product Diagram

FINIAL® TRADITIONAL KITCHEN SINK FAUCET

Page 2 of 2  
115908-4-AE

THE BOLD LOOK  
OF **KOHLER**®