

Features

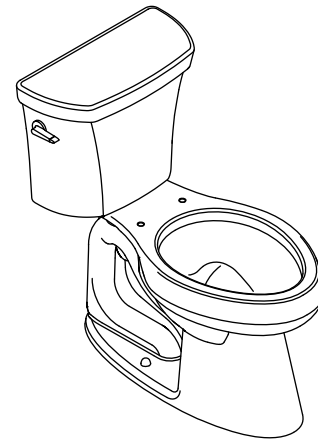
- Vitreous china
- Elongated bowl
- Class Five® dual flushing system
- Polished chrome trip lever
- Less seat and supply
- 12" (305 mm) rough-in
- High efficiency 1.6 gpf (6 lpf) or 1.1 gpf (4.2 lpf)
- 2-1/8" (54 mm) glazed trapway
- 11-3/8" (289 mm) x 8" (203 mm) water area
- 29-3/4" (756 mm) x 18" (457 mm) x 31-1/4" (794 mm)

CLASS FIVE® DUAL FLUSH TOILET K-3989

ADA

CSA B651

OBC



Codes/Standards Applicable

Specified model meets or exceeds the following:

- ADA
- ICC/ANSI A117.1
- CSA B651
- OBC
- ASME A112.19.2/CSA B45.1
- EPA WaterSense®

Colors/Finishes

- 0: White
- Other: Refer to Price Book for additional colors/finishes

Specified Model

Model	Description	Trip Lever	Colors/Finishes	
K-3989	Class Five Dual Flush toilet	left-hand	<input type="checkbox"/> 0	<input type="checkbox"/> Other_____

Recommended Accessories

K-4636	Cachet® Quiet-Close™ seat with Quick-Release™ functionality	<input type="checkbox"/> 0	<input type="checkbox"/> Other_____
K-4688	Cachet elongated toilet seat with cover	<input type="checkbox"/> 0	<input type="checkbox"/> Other_____
K-4731	Stronghold® elongated open-front toilet seat – for Accessibility compliance	<input type="checkbox"/> 0	<input type="checkbox"/> Other_____
K-7637	Angle supply with stop – 3/8" NPT		<input type="checkbox"/> Other_____

Product Specification

The elongated bowl toilet shall be made of vitreous china. Toilet shall be 29-3/4" (756 mm) in length, 18" (457 mm) in width, and 31-1/4" (794 mm) in height with a 11-3/8" (289 mm) x 8" (203 mm) water area. Toilet shall be high efficiency 1.6 gpf (6 lpf) or 1.1 gpf (4.2 lpf) with Class Five dual flushing system. Toilet shall include polished chrome trip lever. Toilet shall have 2-1/8" (54 mm) glazed trapway. Toilet shall be 12" (305 mm) rough-in. Toilet shall be less seat and supply. Toilet shall be Kohler Model K-3999-_____-_____.

HIGHLINE®

Technical Information

Fixture:	
Configuration	Two-piece, elongated
Water per flush	1.6 gpf (6 lpf) or 1.1 gpf (4.2 lpf)
Passageway	2-1/8" (54 mm)
Water area	11-3/8" (289 mm) x 8" (203 mm)
Water depth from rim	5-3/8" (137 mm)
Seat post hole centers	5-1/2" (140 mm)
Included components:	
Bowl	K-4199
Tank	K-4458
Tank cover	1138565
Trip lever - Left hand	K-9237
Bolt cap accessory pack	1013092

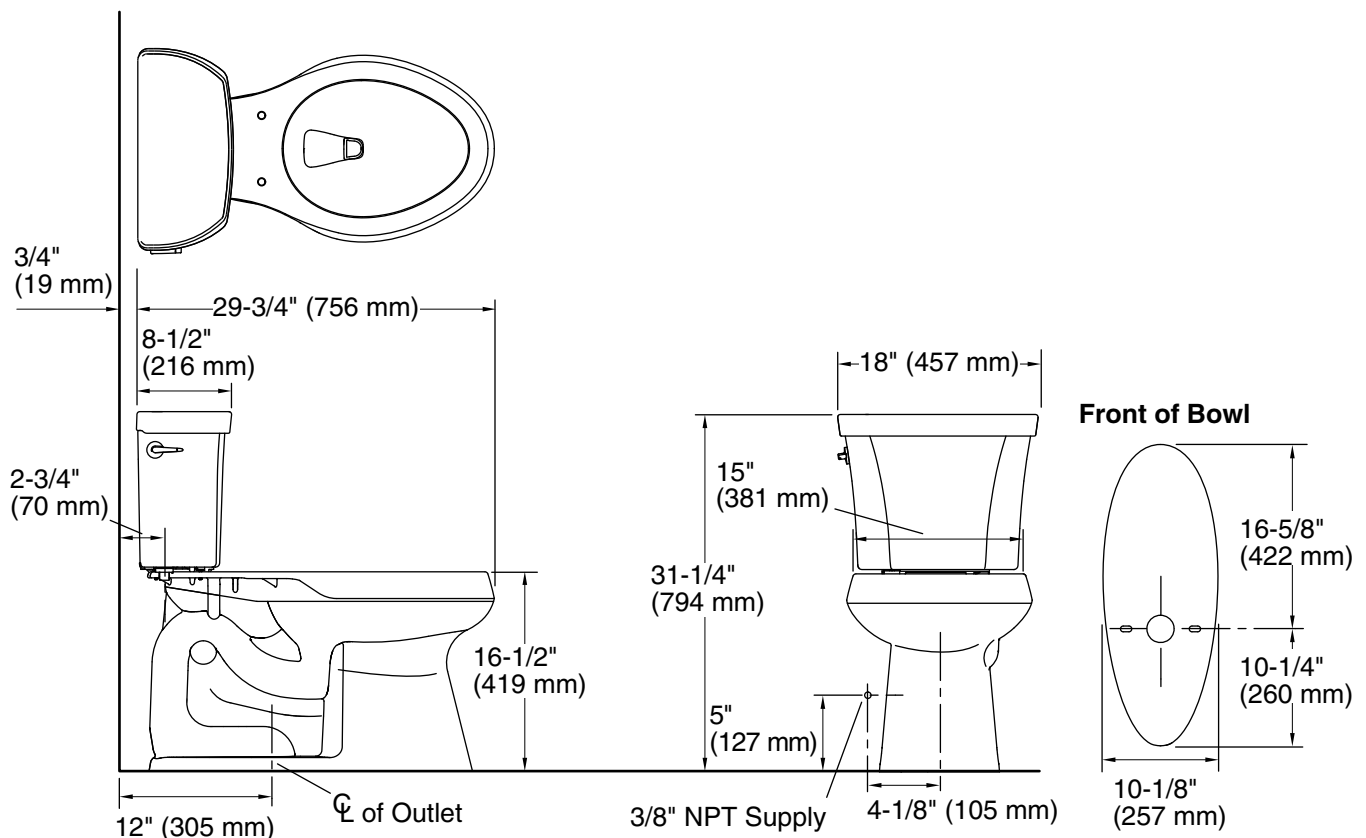
Installation Notes

Install this product according to the installation guide.

Will comply with the American Disabilities Act (**ADA**) when installed per the requirements of the Accessibility Guidelines, Section 604 Water Closets, of the Act. The Model Plumbing Codes require the installation of elongated open-front toilet seats in public bathrooms.

Will comply with **CSA B651** when installed per Clause 4.3.6 of the standard.

Will comply with **OBC** when installed per Clause 3.8.3.8 and 3.8.3.9.



Product Diagram